



ELEMENTS EA 600

The HK Audio ELEMENTS series EA 600 amp provides 600 watts to drive four E 435 or two E 835 mid/high line sources, or a combination of one SUB E 110 passive subwoofer paired with two E 435s or one E 835. The EA 600 shares the same elegant design and dimensions as the E 435 mid/high line source unit, so it's a perfect match for ELEMENTS sound systems, both visually and mechanically.

As part of the powered INSTALL KIT, the EA 600 serves as the system's engine room, providing the power needed to drive the passive mid/high line sources. The EA 600 amp always takes the top spot in the column, the idea being to protect the system against inadvertent handling errors by third parties. This is why the INSTALL KIT's EA 600 is not identical to the version used for portable applications. The EA 600 is available in black or white, which generally fits in well with most interiors. However, it can be delivered in any RAL color on request.

> FEATURES

- Power amplifier with 600 watts of Class D power
- Drives up to four E 435s, two E 835s, two E 110 SUBs or one E 110 SUB with up to two E 435s/an E 835
- Four filters (variable to match the number of mid/high units in a line array)
- E-Connect signal bus
- Very light (2.75 kg/6.1 lbs.)

> TECHNICAL SPECIFICATIONS

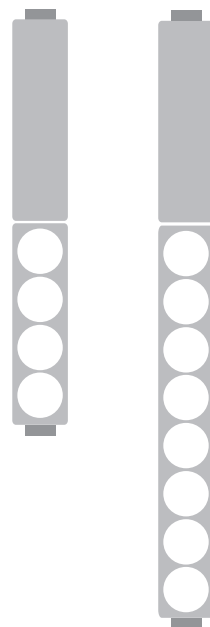
EA 600

Continuous Power Into 4 ohms	600W Class D @ 4 Ohms (EIA)
Active Protection Circuits	RMS Limiter
Input Sensitivity	+4 dBu/ -10 dBu (Variable)
Protection	DC, Load, Thermal
Cooling	Temperature-Controlled Fan
Connections	Combination XLR 1/4" In, XLR Out, 1 x Speakon Parallel Out, 1 x E-Connect Out
Dimensions (WxHxD)	11 x 38* x 12 cm 4-7/16 x 15* x 4-3/4" (Excluding E-Connect Coupler Dimension)
Weight	2.75 kg / 6.1 lbs.
Filter type	Subsonic Filter, 4 System Filters, Depending On The Number Of Connected Mid/ High Units

> ELEMENTS INSTALL KITS

The INSTALL KIT's mounting brackets may be used to permanently install E 435 and E 835 mid-high line sources. It comes with top and bottom ELEMENTS enclosures that have been modified to accept these wall brackets. Additional mid/high line sources can be easily inserted between the two top and bottom components as needed and without modification.

When contemplating permanent installation, the first decision to be made is whether to go with an active or a passive INSTALL KIT. Both have to be provided with an audio signal, of course, but the active INSTALL KIT also requires an AC power feed. An EA 600 amp module always takes the top spot in an active INSTALL KIT. The bottom component can be an E 435 or E 835 mid/high line source.



INSTALL KIT with
1 x E 435 +
1x EA 600 -
powered,
extendable

INSTALL KIT with
1 x E 835 +
1x EA 600 -
powered,
extendable

> CONFIGURATION EXAMPLES



EA 600

→ **INSTALL KIT with 4x E 435**

INSTALL KIT consisting of one EA 600 amp module and up to four E 435 line sources

> ACCESSORIES

Soft Bag

The padded bag holds four E 435s or four EA 600 amps or two E 835s, or any combination thereof, such as three E 435s and one EA 600. It also accommodates speaker mounting poles. Two distance rod protective covers are included.



EF 45

The EF 45 base provides the pedestal for the E 435 and E 835 mid/high line sources, the EA 600 amp module and the EP 1 or EP 2 speaker mounting poles. Its retractable and extendible feet serve as a stable, secure platform with a small footprint for the mounted ELEMENTS components. Signals are routed to these components via the internal E-Connect bus. External signals are patched in and routed through via two parallel NL4 ports. Also available are protective covers for the EF 45 base. Dimensions: 45-51 x 31 x 12.5cm; weight: 7.7kg.

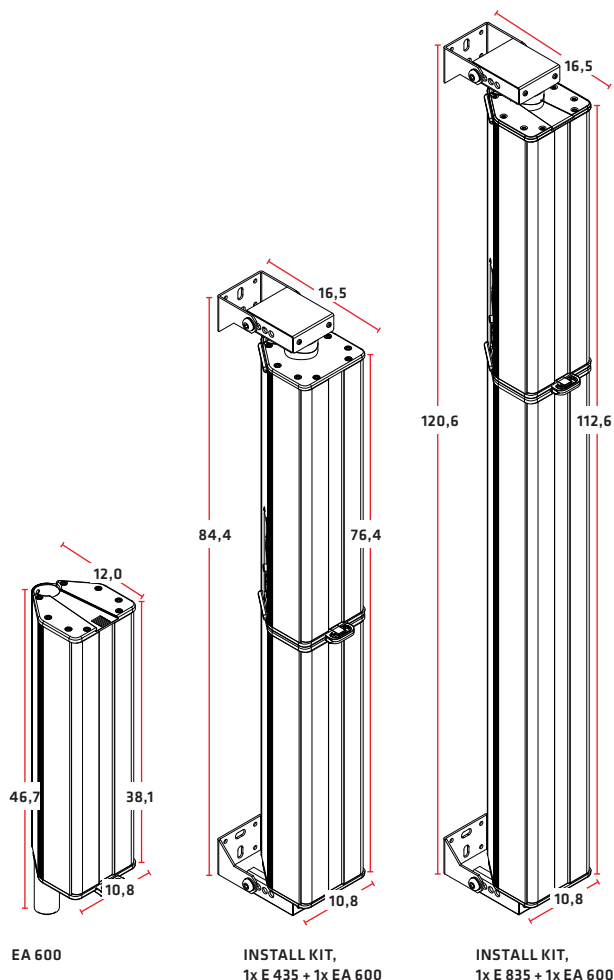


EP 1 / EP 2

Made of anodized aluminum, the EP 1 and EP 2 mounting poles ensure simple, speedy setup for mobile setups and smaller configurations. Fully adjustable, they are fixed at the desired height using a large ring lock. The EP 1 pole extends from 95 to 160 cm, the EP2 from 44 to 60.5 cm. The EP 1 and EP 2 are designed for cordless signal routing. Their internal E-Connect bus forwards the signal to the connected mid/high line sources. Weight: EP 1: 0.8 kg; EP 2: 0.5 kg.



TECHNICAL DRAWINGS/DIMENSIONS



EA 600

INSTALL KIT,
1x E 435 + 1x EA 600

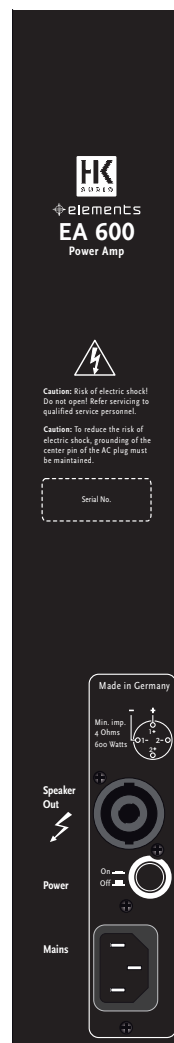
INSTALL KIT,
1x E 835 + 1x EA 600

Dimensions HxDxW in cm

EA 600: 46,7 x 12,0 x 10,8, Height without sleeve 38,1

INSTALL KIT with 1x E 435 + 1x EA 600: outside dimension 84,4, inside dimensions 76,4 x 16,5 x 10,8

INSTALL KIT with 1x E 835 + 1x EA 600: outside dimension 120,6, inside dimensions 112,6 x 16,5 x 10,8



PART NUMBER LIST

Part Number	Model	Description
1006602	ELEMENTS EA 600	600 W, 230 V
1006614	ELEMENTS EA 600	600 W, 100 V
1006615	ELEMENTS EA 600	600 W, 120 V
1006633	ELEMENTS EA 600	600 W, 240 V
1007320	ELEMENTS EA 600 W	600 W, 230 V, white
1007321	ELEMENTS EA 600 W	600 W, 100 V, white
1007322	ELEMENTS EA 600 W	600 W, 120 V, white
1007323	ELEMENTS EA 600 W	600 W, 240 V, white
1007234	ELEMENTS INSTALL KIT A	E 435 + EA 600, 230 V
1007260	ELEMENTS INSTALL KIT A	E 435 + EA 600, 240 V
1007261	ELEMENTS INSTALL KIT A	E 435 + EA 600, 100/120 V
1007272	ELEMENTS INSTALL KIT A W	E 435 + EA 600, 230 V, white
1007483	ELEMENTS INSTALL KIT A W	E 435 + EA 600, 240 V, white
1007484	ELEMENTS INSTALL KIT A W	E 435 + EA 600, 100/120 V, white
1007485	ELEMENTS INSTALL KIT A	E 835 + EA 600, 230 V
1007486	ELEMENTS INSTALL KIT A	E 835 + EA 600, 240 V
1007487	ELEMENTS INSTALL KIT A	E 835 + EA 600, 100/120 V
1007488	ELEMENTS INSTALL KIT A W	E 835 + EA 600, 230 V, white
1007489	ELEMENTS INSTALL KIT A W	E 835 + EA 600, 240 V, white
1007490	ELEMENTS INSTALL KIT A W	E 835 + EA 600, 100/120 V, white
1006611	ELEMENTS SOFT BAG	incl. 2 x EP-1 Cover for E 435 / E 835
1006604	ELEMENTS EP 1	Distance Rod 95 - 160 cm
1006668	Elements EP 2	Distance Rod 44 - 60,5 cm
1006603	Elements EF 45	Base
1006610	Elements EF 45 Soft Bag	

HK Audio®

Postfach 1509
66595 St. Wendel, Germany
info@hkaudio.com
www.hkaudio.com

© 2015 Music & Sales P.E. GmbH
Subject to change without notice
MS D-27xx