

# LINEAR 5

## LTS A

Manual 1.1

## Important Safety Instructions! Read before connecting!

This product has been built by the manufacturer in accordance with IEC 60065 and left the factory in safe working order. To maintain this condition and ensure non-risk operation, the user must follow the advice and warning comments found in the operating instructions. If this product shall be used in vehicles, ships or aircraft or at altitudes exceeding 2000 m above sea level, take care of the relevant safety regulations which may exceed the IEC 60065 requirements.

**WARNING:** To prevent the risk of fire and shock hazard, do not expose this appliance to moisture or rain. Do not open case – no user serviceable parts inside. Refer service to qualified service personnel.



This symbol, wherever it appears, alerts you to the presence of uninsulated dangerous voltage inside the enclosure – voltage that may be sufficient to constitute a risk of shock.



This symbol, wherever it appears, alerts you to the presence of externally accessible hazardous voltage. External wiring connected to any terminal marked with this symbol must be a "ready made cable" complying with the manufacturers recommendations, or must be a wiring installed by instructed persons only.



This symbol, wherever it appears, alerts you to important operating and maintenance instructions in the accompanying literature. Read the manual.



This symbol, wherever it appears, tells you: Take care! Hot surface! To prevent burns you must not touch.

- Read these instructions.
- Keep these instructions.
- Follow all warnings and instructions marked on the product and in this manual.
- Do not use this product near water. Do not place the product near water, baths, wash basins, kitchen sinks, wet areas, swimming pools or damp rooms.
- Do not place objects containing liquid on the product – vases, glasses, bottles etc.
- Clean only with dry cloth.
- Do not remove any covers or sections of the housing.
- The set operating voltage of the product must match the local mains supply voltage. If you are not sure of the type of power available consult your dealer or local power company.
- Before connecting the device, please ensure that the mains supply you are using is equipped with adequate protection against short circuiting and grounding faults when the device is plugged in.
- To reduce the risk of electrical shock, the grounding of this product must be maintained. Use only the power supply cord provided with this product, and maintain the function of the center (grounding) pin of the mains connection at any time. Make sure the mains outlet used provides a proper protective ground connection.
- Do not defeat the safety purpose of the polarized or grounding-type plug. A polarized plug has two blades with one wider than the other. A grounding type plug has two blades and a third grounding prong. The wide blade or the third prong are provided for your safety. If the provided plug does not fit into your outlet, consult an electrician for replacement of the obsolete outlet.
- Protect the power cord from being walked on or pinched particularly at plugs, convenience receptacles, and the point where they exit from the device! Power supply cords should always be handled carefully. Periodically check cords for cuts or sign of stress, especially at the plug and the point where the cord exits the device.
- Never use a damaged power cord.
- Unplug this product during lightning storms or when unused for long periods of time.
- This product can be fully disconnected from mains only by pulling the mains plug at the unit or the wall socket. The product must be placed in such a way at any time, that disconnecting from mains is easily possible.

- Fuses: Replace with IEC127 (5x20mm) type and rated fuse for best performance only! It is prohibited to use "patched fuses" or to short the fuse-holder. Replacing any kind of fuses must only be carried out by qualified service personal.
- Refer all servicing to qualified service personnel. Servicing is required when the unit has been damaged in any way, such as:
  - When the power cord or plug is damaged or frayed.
  - If liquid has been spilled or objects have fallen into the product.
  - If the product has been exposed to rain or moisture.
  - If the product does not operate normally when the operating instructions are followed.
  - If the product has been dropped or the cabinet has been damaged.
- Do not connect external speakers to this product with an impedance lower than the rated impedance given on the product or in this manual. Use only cables with sufficient cross section according to the local safety regulations.
- Keep away from direct sunlight.
- Do not install near heat sources such as radiators, heat registers, stoves or other devices that produce heat.
- Do not block any ventilation openings. Install in accordance with manufacturer's instructions. This product must not be placed in a built-in installation such as a rack unless proper ventilation is provided.
- Always allow a cold device to warm up to ambient temperature, when being moved into a room. Condensation can form inside it and damage the product, when being used without warming up.
- Do not place naked flame sources, such as lighted candles on the product.
- The device must be positioned at least 20 cm/8" away from walls.
- Use only with the cart, stand, tripod, bracket or table specified by the manufacturer or sold with the product. When a cart is used, use caution when moving the cart/product combination to avoid injury from tip-over.
- Use only accessories recommended by the manufacturer, this applies for all kind of accessories, for example protective covers, transport bags, stands, wall or ceiling mounting equipment. In case of attaching any kind of accessories to the product, always follow the instructions for use, provided by the manufacturer. Never use fixing points on the product other than specified by the manufacturer.
- This appliance is NOT suitable to be used by any person or persons (including children) with limited physical, sensorical or mental ability, or by persons with insufficient experience and/or knowledge to operate such an appliance. Children under 4 years of age must be kept away from this appliance at all times.
- Never push objects of any kind into this product through cabinet slots as they may touch dangerous voltage points or short out parts that could result in risk of fire or electric shock.
- This product is capable of delivering sound pressure levels in excess of 90 dB, which may cause permanent hearing damage! Exposure to extremely high noise levels may cause a permanent hearing loss. Wear hearing protection if continuously exposed to such high levels.
- The manufacturer only guarantees the safety, reliability and efficiency of this product if:
  - Assembly, extension, re-adjustment, modifications or repairs are carried out by the manufacturer or by persons authorized to do so.
  - The electrical installation of the relevant area complies with the requirements of IEC (ANSI) specifications.
  - The unit is used in accordance with the operating instructions.
- This product is optimized for use with music and speech signals. Using this product with sine wave, square wave or other kind of measuring signals at higher level may lead to severe damage of the product.

## General Notes on Safety for Loudspeaker Systems



Mounting systems may only be used for those loudspeaker systems authorized by the manufacturer and only with the mounting accessories specified by the manufacturer in the installation instructions. Read and heed the manufacturer's installation instructions. The indicated load-bearing capacity cannot be guaranteed and the manufacturer will not be liable for damages in the event of improper installation or the use of unauthorized mounting accessories.

The system's load-bearing capacity cannot be guaranteed and the manufacturer will not be liable for damages in the event that loudspeakers, mounting accessories, and connecting and attaching

components are modified in any way.

Components affecting safety may only be repaired by the manufacturer or authorized agents, otherwise the operating permit will be voided.



Installation may be performed qualified personnel only, and then only at pick-points with sufficient load-carrying capacity and in compliance with local building regulations. Use only the mounting hardware specified by the manufacturer in the installation instructions (screws, anchors, etc.). Take all the precautions necessary to ensure bolted connections and other threaded locking devices will not loosen.



Fixed and portable installations (in this case, speakers and mounting accessories) must be secured by two independent safeties to prevent them from falling. Safeties must be able to catch accessories or parts that are loose or may become loose. Ensure compliance with the given national regulations when using connecting, attaching, and rigging devices. Factor potential dynamic forces (jerk) into the equation when determining the proper size and load-bearing capacity of safeties.



Be sure to observe speaker stands' maximum load-bearing capacity. Note that for reasons of design and construction, most speaker stands are approved to bear centric loads only; that is, the speakers' mass has to be precisely centered and balanced. Ensure speaker stands are set up stably and securely. Take appropriate added measures to secure speaker stands, for example when:

- the floor or ground surface does not provide a stable, secure base.
- they are extended to heights that impede stability.
- high wind pressure may be expected.
- there is the risk that they may be knocked over by people.

Special measures may become necessary as precautions against unsafe audience behavior. Do not set up speaker stands in evacuation routes and emergency exits. Ensure corridors are wide enough and put proper barriers and markings in place when setting speaker stands up in passageways. Mounting and dismantling are especially hazardous tasks. Use aids suitable for this purpose. Observe the given national regulations when doing so.



Wear proper protection (in particular, a helmet, gloves, and safety shoes) and use only suitable means of ascent (ladders, scaffolds, etc.) during installation. Compliance with this requirement is the sole responsibility of the company performing the installation.



### WARNING!

After installation, inspect the system comprised of the mounting fixtures and loudspeakers to ensure it is properly secured. The operator of loudspeaker systems (fixed or portable) must regularly inspect or task a third party to regularly inspect all system components in accordance with the given country's regulations and have possible defects repaired immediately.

We also strongly recommend maintaining a logbook or the like to document all inspections.

When installing speakers for longer lasting or permanent outdoor operation, be sure to take into account the stability and load-bearing capacity of platforms and surfaces; loads and forces exerted by wind, snow, and ice; as well as thermal influences. Also be sure to provide sufficient safety margins for the rigging points used for flown systems. Observe the given national regulations when doing so.

- Ask the manufacturer if your product is allowed for outdoor usage !



Professional loudspeaker systems can produce harmful volume levels. Even prolonged exposure to seemingly harmless levels (starting at about 95 dBA SPL) can cause permanent hearing damage! Therefore we recommend that everyone who is exposed to high volume levels produced by loudspeaker systems wears professional hearing protection (earplugs or earmuffs).  
Manufacturer: Stamer Musikanlagen GmbH, Magdeburger Str. 8, 66606 St. Wendel, Germany

# LINEAR 5

# LTS A

## Welcome to the HK Audio family!

Thank you for choosing a brand-name product made by our company. Rest assured, we engineered and built it with the greatest care so it will serve you well for many tomorrows to come.

Even if your experience with sound systems runs deep, some things about this product are sure to be new to you. This is why we ask that you do not set this manual aside without reading it first. Be sure to keep it in a safe place for later reference.

Here's wishing you the best sound at every occasion!

## Your HK Audio team

## Warranty

Register each powered LINEAR 5 LTS A speaker separately to extend your warranty to five years free of charge! Use the convenient online registration option at [www.hkaudio.com](http://www.hkaudio.com).

If you are unable to register online, please fill out the enclosed warranty card, ensuring all information is legible and complete, and mail or fax it to us.

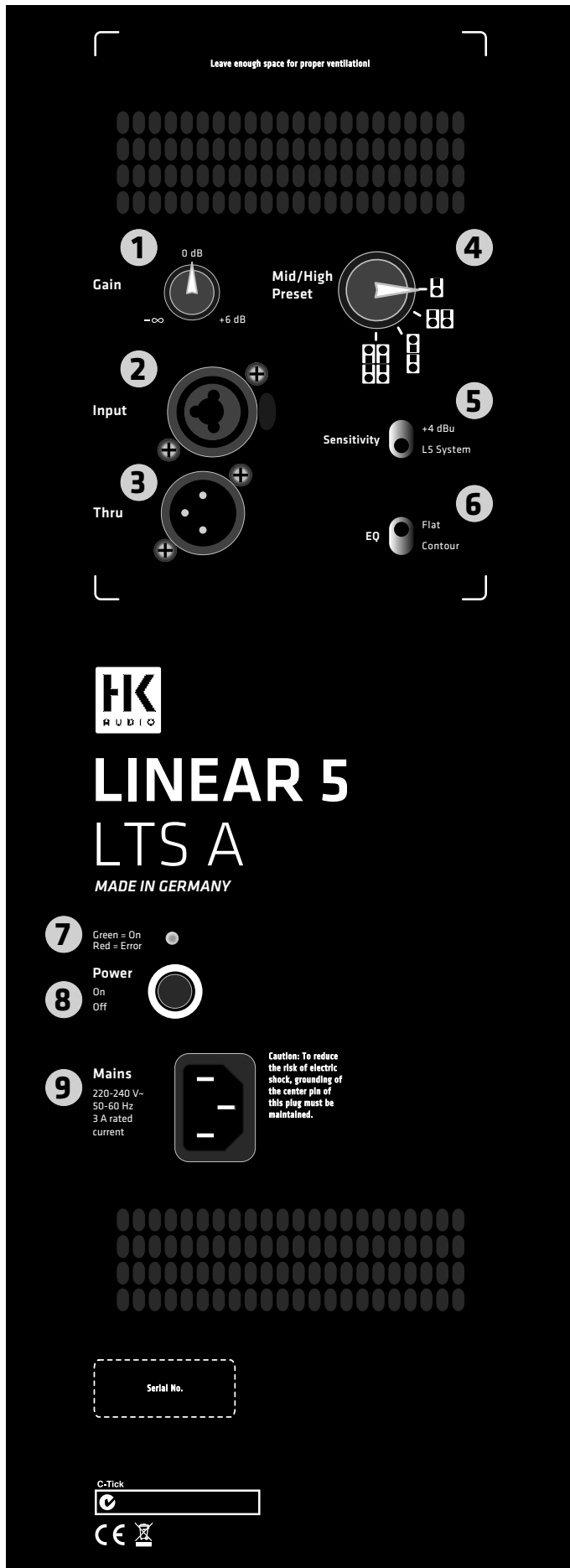
**The registration is only valid if the warranty registration card is filled out and returned to HK Audio or the device is registered via Internet within 30 days of the date of purchase.**

We are also interested in learning where and by whom our devices are used. This information will help us design future products. Your data are of course protected by German privacy laws.

Thank you!

## HK AUDIO

Technischer Service  
Postfach 1509  
66959 St. Wendel, Germany  
Fax: +49 6851 905 100



# 1 Control Features

## 1 Gain

Turn the Gain knob to adjust and match the input's sensitivity the incoming signal's level.

### Adjusting the Gain knob to balance out the relative volume levels:

Use the Gain knob to adjust the proper balance of levels between the mid/high unit and the subwoofer(s) for incoming line signals. The ratio of levels between a subwoofer with the power output of an L SUB 4000 A and an LINEAR 5 LTS A speaker should be at least 2:1. In other words, set the Gain knob to 0 dB; that is, the center-notched 12 o'clock position.

## 2 Input

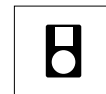
Use this electrically balanced combo XLR/ 1/4" (6.3 mm) port to patch in the audio signal.

## 3 Thru

This passive parallel output routes the signal patched into the input back out again.

## 4 Mid/High Preset

Use this rotary selector to set the right filter preset for the LINEAR 5 LTS A in the following configurations:



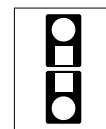
### Single:

Choose this preset when operating speakers in standalone mode; that is, one unit each per stereo side.



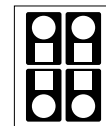
### Cluster:

The Cluster preset optimizes the filtering when two speakers are clustered (placed side by side) on each stereo side to extend the horizontal coverage to around 140°.



### Head Stack:

The Head Stack preset is the right choice when you want to stack speakers on top of another. In this configuration, the Multicell Transformer enables 'acoustically correct' coupling of high-range frequencies and the longer speaker array does the same for the midrange frequencies to significantly boost the SPL by about 6 dB and extend the system's range.



### Head Stack Cluster:

This preset combines the benefits of a cluster and a head stack to broaden the pattern of throw and extend the speakers' reach.

## 5 Sensitivity

Use this switch to adjust input sensitivity to the signal source's level. You have two options for maximizing gain, the standard '+4 dBu' setting and 'LS system.'

Set this switch to 'LS System' and the Gain knob to 0 dB (the center-notched 12 o'clock position) if you want this unit to be perfectly matched with other LINEAR series components.

## 6 EQ

The switchable EQ offers two types of filters for shaping the input signal. Set this switch to 'Flat' if you wish to optimize the signal for a linear frequency response. The 'Contour' voicing takes the edge off of midrange frequencies while maintaining a very transparent audio image.

## 7 Status LED

This dual-color LED indicates the status of the LINEAR 5 LTS A mid/high unit (green = power on, red = limit / error). It briefly flashes red to indicate the Limiter is kicking in when signal levels spike.

Heads up! If the LED always lights up red at peaks, this tells you that the system is being overloaded. Back off the Gain knob to reduce the input level. If you are not routing a signal in and the Status LED stays red, an error has occurred.

## 8 Power

This is the LINEAR 5 LTS A's on/off button. The status LED lights up green when this button is engaged.

## 9 Mains

Use the factory-included IEC mains cord to connect this socket to a wall outlet.

Note: The LINEAR 5 LTS A is equipped with a V-Lock mains cord retainer. If you use an optionally available Volex locking cord or another brand of cord with a compatible design, you can lock the mains cord in place to prevent accidental disconnection.

## 2 Connecting Cords

- The LINEAR 5 LTS A is designed mainly to serve as a mid/high unit in combination with LINEAR SUB series subwoofers. For this primary application, plug one end of a cord equipped with XLR connectors into the subwoofer's Line Out Mid/High power and the other end into the LTS A's Input.
- If you wish to use the speakers without subwoofers purely for speech reinforcement, insert a cord with balanced XLR / ¼" jack plugs to route the line signal from the mixing console to the LTS A's Input.
- If you wish to route the incoming signal to another destination, connect an XLR cord to the THRU port.

## 3 Operating the Speaker

- Make sure that the LINEAR 5 LTS A is switched off.

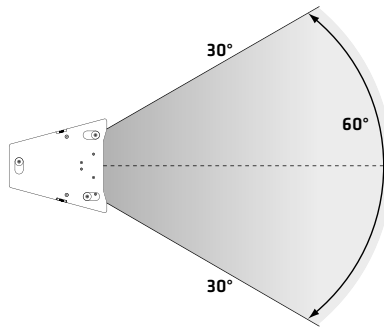
Caution! Always make sure the local mains voltage matches the voltage specified on the LTS A. You may destroy the powered speaker's electronic components if you connect it to the wrong mains voltage.

- Ensure all connected line sources are switched on before powering up. First switch on the connected mixer and all signal sources connected to it, for example, keyboards, amps, effects, and so forth. Always switch the LINEAR 5 LTS A speaker on last; that is, after you switch on all connected devices, and always switch it off first; that is, before you switch off all connected devices.
- When you press the Power button, the fan will briefly start up (system check) and stop after about five seconds. After this check, the fan will be managed by the speaker's electronic circuitry. It runs only at very high volume levels and is temperature-controlled. The Status LED lights up red during the system check, and then green if there is no malfunction and the unit is getting mains power.
- The Gain knob's standard setting is the 12 o'clock position (0 dB /center-notched). This is the preferred setting if you are using a mixing console to address the LINEAR 5 A LTS A.
- Then select the appropriate mode using the Mid/High Preset rotary selector.
- If you hear distortion or the signal sounds like it's clipping, first check the signal sources and, if possible, reduce the output signal level there.

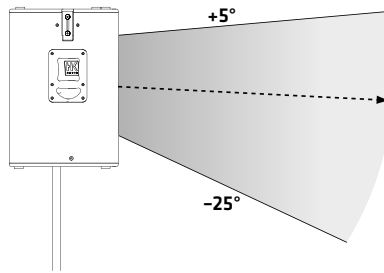
## 4 Alignment

### Single

The LINEAR 5 LTS A's vertical directivity is  $+5^\circ/-25^\circ$ ; its horizontal directivity is  $60^\circ$ . You can adjust the speakers' horizontal alignment to minimize reflections off walls and turn the cabinets to focus the sound on the audience area.

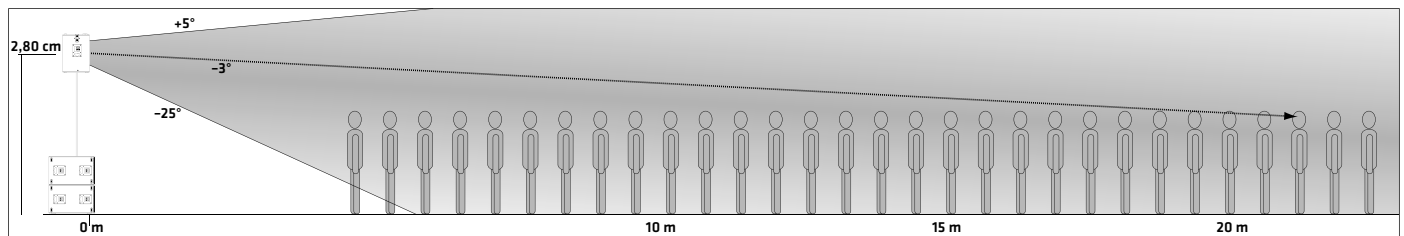
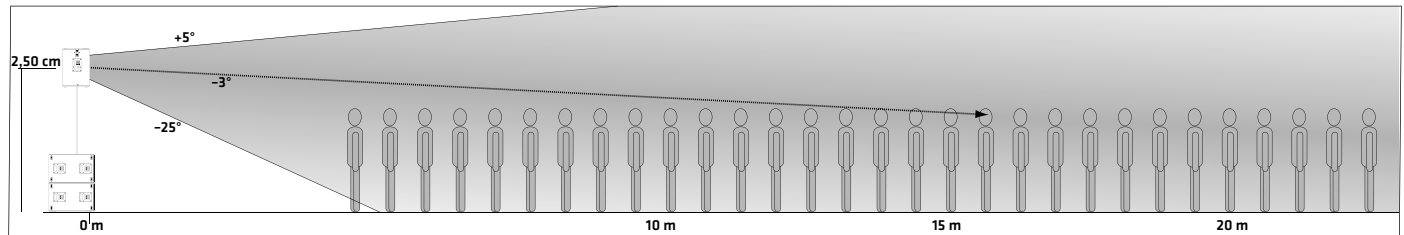


You do not need to tilt the LINEAR 5 LTS A along its vertical axis when placing it on a speaker stand or mounting pole. With the benefit of the MCT horn, its vertical directivity is much like that of a properly curved and aligned component array so that its sound energy is focused directly on the area you wish to cover.



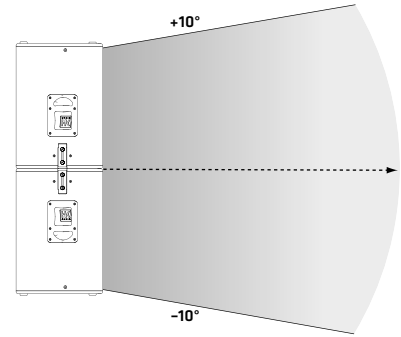
The following applies when the speaker is deployed in an upright position (the front panel is at a  $90^\circ$  angle to the base):

- Although the mounting collar is set to  $0^\circ$ , the LTS A's vertical dispersion covers the  $+5^\circ$  to  $-25^\circ$  range.
- The vertical acoustic central axis lies approximately at  $-3^\circ$ .
- This asymmetrical directivity drastically reduces ceiling reflections.
- The speaker's elevation determines its reach. Generally speaking, if the center of the speaker is set to a height of between 2.50 m and 2.80 m, the central axis of the sonic image will reach the audience's ears at a distance of 15.50 m to 21 m, assuming that these people are 1.70 m tall.
- The high-frequency level drops off in the near field, where audience members are right in front of the PA, in the same ratio as in the far field. This way, sound is dispersed very uniformly (see illustration below).
- The notches on the L SUB 4000 A are there to hold the LINEAR 5 LTS A in place when stacking units. The aforementioned reference values also apply to stacked setups.
- We recommend that you use the optional tilt bracket to align a flown speaker horizontally and vertically. You can achieve greater coverage and distribute sound over a larger area by flying speakers.



### Head Stack

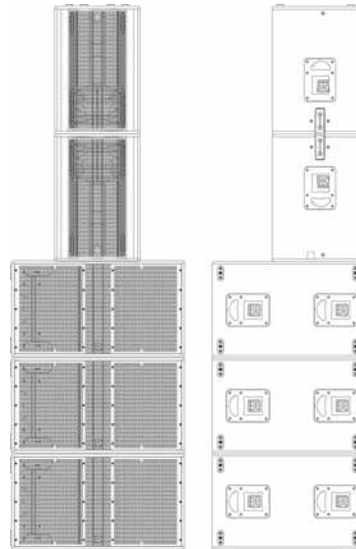
With the benefit of the MCT horn's asymmetrical directivity, you can set up two LINEAR 5 LTS A units in an 'acoustically correct' head stack. To do this, rotate the second speaker  $180^\circ$  so that its top panel sits on the first unit's top panel. (The top unit is upside down, with the front grille of both speakers facing forward). The cabinet's three feet are arranged asymmetrically and fit into matching notches in the top panels to keep cabinets from twisting and turning. Use the two sliding latches on the left and right panels to secure the stack.



We recommend the following setup when you want to stack units:

Place a head stack consisting of two LINEAR 5 LTS A units on the top subwoofer in a three L SUB 4000 A subwoofer stack. Make sure it is centered.

Heads up! Secure the head stack to prevent it from tipping, for example, with a threaded M20 bolt (35 mm diameter) that is no shorter than 50 mm. Screw it into the M20 insert on the subwoofer and place the lower LINEAR 5 LTS A's mounting collar on it.

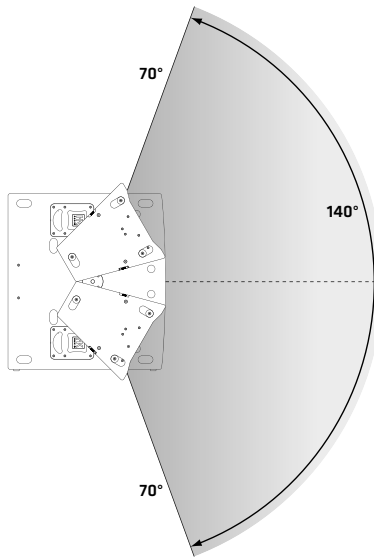


You can also secure the head stack in the usual way using ratchet straps.

### Cluster / Head Stack Cluster

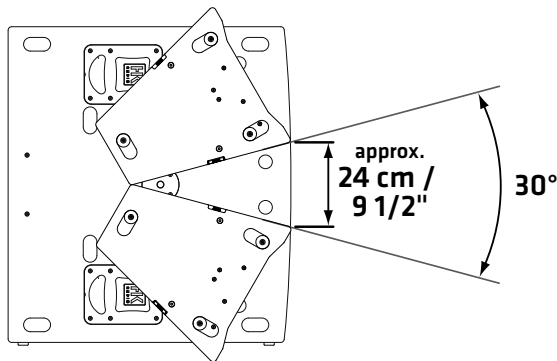
You can extend horizontal coverage to around 140° by clustering two LINEAR 5 LTS As. To this end, place them side by side with a 30° angle of splay (around 24 cm as pictured) between the two to minimize frequency cancellation and phasing effects.

An optional accessories kit with a pick point and a cluster plate is available if you wish to fly this cluster. It provides two anchor points for attaching rigging hardware such as steel cables or slings, connects the two housings and prevents them from sliding apart.



If you wish to stack the system, we recommend that you do so as follows:

Center the cluster on the top subwoofer in a stack of three SUB L 4000 As, and then aim it horizontally to cover the target area. Be sure to maintain that 30° angle of splay.



Follow the same procedure for a head stack cluster.

You can also secure the cluster in the usual way using ratchet straps for added safety.

## 5 Technical Specifications

Model	LTS A
Frequency response +/- 3 dB	115 Hz - 14 kHz
Frequency response -10 dB	100 Hz - 20 kHz
Max. SPL@10% THD	133 dB half space
Max. SPL Peak@10% THD	138 dB half space
Max. SPL calc.	141 dB half space
Amp/type	Class D biamped
Power output, amp	1000 W
Amp to driver	350 W @ 4 ohms
Amp to woofer	650 W @ 4 ohms
Protective circuits, amp	Under-voltage, thermal, short-circuit, and over-current protection
Protective circuits, speakers	Subsonic 24 dB / oct., peak limiter
Power consumption	3.3 A / 230 V nominal pursuant to EN60065
Input sensitivity	+4 dBu @ Gain center-notched / L5 System Level
Audio ports	XLR / 1/4" (6.3 mm) jack combo In, XLR Thru
Mains connector	1x IEC socket with V-Lock cord retainer
Woofers	3x 8" (16 ohms) with 1.5" voice coil (neodymium)
HF driver	1x 1" (16 ohms) with 1.7" voice coil
Horn directivity	60° x +5°/-25° MCT horn
Crossover frequency	1.7 kHz FIR X-over with 24 dB/oct.
Pole mount	MonoTilt 0°
Rigging/ pick points	5x M8
Grips	2 integrated
Optional accessories	Protective cover, Tilt Bracket, Tilt Bracket Extension, Head Stack Clustering Plate, AP-8
Housing	Birch 15/18 mm multiplex, 9/13-ply
Front grille	2 mm metal grille backed with acoustic foam
Finish	Acrylic enamel, black
Dimensions (WxHxD)	44 x 68 x 46,1 cm
	17-5/16 x 26-25/32 x 18-5/32"
Weight	24,9 kg / 54,9 lbs.

## 6 Applications

See the appendix starting on page 32.

## Wichtige Sicherheitshinweise! Bitte vor Anschluss lesen!

Dieses Produkt wurde gemäß IEC 60065 hergestellt und hat das Werk in einem sicheren, betriebsfähigen Zustand verlassen. Um diesen Zustand zu erhalten und um einen gefahrlosen Betrieb zu gewährleisten, ist es notwendig, dass der Benutzer die Empfehlungen und Warnhinweise befolgt, die in der Betriebsanleitung zu finden sind. Bei Einsatz dieses Produktes in Fahrzeugen, Schiffen oder Flugzeugen, oder in Höhen oberhalb 2000 m Meereshöhe müssen die entsprechenden Sicherheitsstandards zusätzlich zur IEC 60065 beachtet werden.

**WARNUNG:** Um das Risiko von Feuer oder Stromschlag zu verhüten, darf dieses Gerät nicht Feuchtigkeit oder Regen ausgesetzt werden. Öffnen Sie das Gehäuse nicht – im Inneren gibt es keine Bauteile, die vom Benutzer wartbar sind. Die Wartung darf nur von einem qualifiziertem Kundendienst durchgeführt werden.



Dieses Symbol, wo immer es erscheint, warnt Sie vor gefährlicher, nicht isolierter Spannung im Gehäuse – Spannung, die möglicherweise genügt, eine Stromschlaggefahr darzustellen.



Dieses Symbol, wo immer es erscheint, warnt Sie vor außen zugänglicher, gefährlicher Spannung. Eine Verbindung zu jeder Anschlussklemme, die mit diesem Symbol versehen ist, darf nur mit konfektioniertem Kabel hergestellt werden, dass den Empfehlungen des Herstellers genügt, oder mit Kabel, das von qualifiziertem Personal installiert wurde.



Dieses Symbol, wo immer es erscheint, macht Sie auf wichtige Bedienungs- und Wartungsanweisungen aufmerksam, die in beiliegenden Unterlagen zu finden sind. Bitte lesen Sie das Handbuch.



Dieses Symbol, wo immer es erscheint, sagt Ihnen: Vorsicht! Heiße Oberfläche! Um Verbrennungen zu vermeiden, nicht anfassen.

- Bitte lesen Sie diese Anweisungen.
- Bewahren Sie diese Anweisungen auf.
- Befolgen Sie alle Warnhinweise und Anweisungen auf dem Gerät und in dieser Anleitung.
- Benutzen Sie dieses Gerät nicht in der Nähe von Wasser. Stellen Sie das Gerät nicht in der Nähe von Wasser, Badewannen, Waschbecken, Küchenspülen, nassen Stellen, Schwimmbecken oder in feuchten Räumen auf.
- Stellen Sie keine Gefäße, wie Vasen, Gläser, Flaschen usw., die Flüssigkeiten enthalten, auf das Gerät.
- Reinigen Sie das Gerät nur mit einem trockenen Tuch.
- Entfernen Sie keine Abdeckungen oder Teile des Gehäuses.
- Die auf dem Gerät angegebene Betriebsspannung muss mit der örtlichen Spannung der Netzstromversorgung übereinstimmen. Wenn Sie sich nicht sicher sind, welche Spannung in Ihrem Netz zur Verfügung steht, konsultieren Sie bitte Ihren Händler oder den örtlichen Stromversorger.
- Stellen Sie vor Anschluss des Gerätes unbedingt sicher, dass die Netzversorgungsinstallation über ausreichende Schutzvorrichtungen gegen Kurzschluss und Erdungsfehler angeschlossener Geräte verfügt.
- Um das Risiko eines Stromschlags zu verringern, muss die Erdung des Gerätes beibehalten werden. Verwenden Sie nur das mitgelieferte Stromführungskabel und behalten Sie die Funktion der seitlichen, geerdeten Schutzkontakte des Netzanschlusses immer aufrecht. Stellen Sie sicher, dass das Gerät nur an Steckdosen angeschlossen wird, die über eine ordnungsgemäß funktionierende Schutzterze verfügen.
- Schützen Sie das Stromführungskabel vor Betreten und Quetschen, besonders in der Nähe der Stecker, Gerätesteckdosen – und dort, wo sie am Gerät austreten! Stromführungskabel sollten immer vorsichtig behandelt werden. Kontrollieren Sie die Stromführungskabel in regelmäßigen Abständen auf Einschnitte und Anzeichen von Abnutzung, besonders in der Nähe des Steckers und an der Verbindung zum Gerät.
- Benutzen Sie niemals ein beschädigtes Stromführungskabel.
- Ziehen Sie bei Gewittern den Stecker des Gerätes und wenn das Gerät über einen längeren Zeitraum nicht benutzt wird.
- Dieses Gerät wird nur vollständig vom Stromnetz getrennt, wenn der Stecker vom Gerät oder aus der Steckdose gezogen wird. Das Gerät sollte so aufgestellt werden, dass das Trennen vom Stromnetz leicht möglich ist.
- Sicherungen: Ersetzen Sie Sicherungen nur mit dem Typ IEC127 (5x20mm) und dem korrekten Nennwert, um die optimale Leistung zu gewährleisten! Es ist untersagt, kurzgeschlossene Sicherungen zu verwenden oder den Sicherungshalter zu überbrücken. Sicherungen dürfen nur von qualifiziertem Personal gewechselt werden.
- Alle Wartungsarbeiten sollten nur von qualifiziertem Personal ausgeführt werden. Wartung ist notwendig, wenn das Gerät auf irgendeine Weise

beschädigt wurde, wie zum Beispiel:

- Wenn das Stromführungskabel oder der Stecker beschädigt oder abgenutzt ist.
- Wenn Flüssigkeit oder Gegenstände in das Gerät gelangt sind.
- Wenn das Gerät Regen oder Feuchtigkeit ausgesetzt war.
- Wenn das Gerät nicht ordnungsgemäß funktioniert, obwohl die Bedienungsanleitung beachtet wurde.
- Wenn das Gerät hingefallen ist oder das Gehäuse beschädigt wurde.
- Beim Anschluss von Lautsprechern an dieses Gerät darf die auf dem Gerät oder in dieser Anleitung angegebene Mindestimpedanz nicht unterschritten werden. Die verwendeten Kabel müssen entsprechend den lokalen Regelungen über einen ausreichenden Querschnitt verfügen.
- Halten Sie das Gerät vom Sonnenlicht fern.
- Installieren Sie das Gerät nicht in der Nähe von Wärmequellen, wie zum Beispiel Heizkörper, Heizregister, Öfen oder anderen Geräten, die Hitze erzeugen.
- Verstopfen Sie nicht die Lüftungsöffnungen. Installieren Sie das Gerät entsprechend der Anleitung des Herstellers. Das Gerät darf nicht eingebaute werden – wie zum Beispiel in einen Gestellrahmen, es sei denn, dass für angemessene Belüftung gesorgt wird.
- Ein kaltes Gerät sollte immer auf die Umgebungstemperatur erwärmt werden, wenn es in einen Raum transportiert wird. Es könnte sich Kondensation im Inneren bilden, die das Gerät beschädigt, wenn es ohne vorherige Erwärmung benutzt wird.
- Stellen Sie keine offenen Flammen, wie brennende Kerzen, auf das Gerät.
- Das Gerät sollte mindestens 20 cm von Wänden aufgestellt werden.
- Das Gerät darf nur mit Rollwagen, Ständern, Stativen, Tischen oder Halterungen benutzt werden, die vom Hersteller spezifiziert sind oder zusammen mit dem Gerät verkauft wurden. Wenn ein Rollwagen benutzt wird, seien Sie vorsichtig, wenn Sie die Rollwagen/Geräte-Kombination transportieren, um Verletzungen durch Umkippen zu vermeiden.
- Verwenden Sie nur Zubehör, das vom Hersteller empfohlen ist. Das gilt für alle Arten von Zubehör, wie zum Beispiel Schutzabdeckungen, Transporttaschen, Ständer sowie Wand- und Deckenhalterungen. Wenn Sie irgendein Zubehör am Gerät anbringen, befolgen Sie immer die Anleitungen des Herstellers. Benutzen Sie nur die Befestigungspunkte des Geräts, die vom Hersteller vorgesehen sind.
- Dieses Gerät ist NICHT geeignet für eine Person oder Personen (einschließlich Kindern) mit eingeschränkten physischen, sensorischen und geistigen Fähigkeiten, oder für Personen mit unzulänglicher Erfahrung und/oder Fachkenntnis, um solch ein Gerät zu bedienen. Kinder unter 4 Jahren sollten stets von diesem Gerät fern gehalten werden.
- Es sollten keinerlei Gegenstände durch die Gehäuseschlitze eingeführt werden, da dadurch gefährliche, spannungsführende Bauteile berührt oder kurzgeschlossen werden können. Dies könnte zu einer Feuer- oder Stromschlaggefahr führen.
- Dieses Gerät ist imstande, Schalldruckpegel von mehr als 90 dB zu produzieren. Dies könnte zu einem dauerhaften Hörschaden führen! Eine Belastung durch extrem hohe Geräuschpegel kann zu einem dauerhaften Gehörverlust führen. Bei einer anhaltenden Belastung durch solch hohe Pegel sollte ein Gehörschutz getragen werden.
- Der Hersteller gewährleistet die Sicherheit, Zuverlässigkeit und Leistung des Gerätes nur unter folgenden Voraussetzungen:
  - Einbau, Erweiterung, Neueinstellung, Modifikationen oder Reparaturen werden vom Hersteller oder autorisiertem Personal ausgeführt.
  - Die elektrische Installation des betreffenden Bereiches entspricht den Anforderungen der IEC (ANSI) Maßgaben.
  - Das Gerät wird entsprechend der Bedienungsanleitung benutzt.
- Dieses Produkt ist auf die Verwendung mit Musik- und Sprachsignalen optimiert. Verwendung mit Sinus-, Rechteck- oder anderen Mess-Signalen bei höherem Pegel kann zu ersten Beschädigungen des Geräts führen.

## Allgemeine Sicherheitshinweise für Lautsprechersysteme



Befestigungssysteme dürfen ausschließlich für die vom Hersteller freigegebenen Lautsprechersysteme und mit dem in der Montageanleitung genannten Montage-Zubehör verwendet werden. Die Montagehinweise des Herstellers sind dabei unbedingt zu beachten. Bei unsachgemäßer Montage bzw. Verwendung von nicht freigegebenem Montage-Zubehör kann die angegebene Belastung nicht garantiert und keinerlei Haftung seitens des Herstellers übernommen werden. Sollten Änderungen an Lautsprechern, an Montage-Zubehör, Verbindungs- und Befestigungselementen sowie Anschlagmitteln vorgenommen werden, kann die Tragfähigkeit des Systems nicht mehr garantiert werden und seitens des Herstellers keinerlei Haftung übernommen werden.

Reparaturen an sicherheitsrelevanten Bauteilen dürfen nur vom Hersteller oder Bevollmächtigten durchgeführt werden, andernfalls erlischt die Betriebserlaubnis.



Die Installation darf ausschließlich durch Sachkundige und nur an Montagepunkten mit ausreichender Tragfähigkeit, ggf. unter der Berücksichtigung von Bauauflagen, erfolgen. Das vom Hersteller in der Montageanleitung vorgeschriebene Befestigungsmaterial (Schrauben, Dübel, etc.) muss verwendet werden. Schraubverbindungen müssen durch geeignete Maßnahmen gegen Lösen gesichert sein.



Ortsfeste oder mobile Installationen (hier Lautsprecher inkl. Montagezubehör) müssen durch zwei unabhängig voneinander wirkende Einrichtungen gegen Herabfallen gesichert sein. Lose Zusatzteile oder lösende Teile müssen durch geeignete Einrichtungen aufgefangen werden können. Bei Verwendung von Verbindungs- und Befestigungselementen sowie Anschlagmitteln sind die nationalen Vorschriften zu beachten. Hinsichtlich der Bemessung der Sicherungsmittel sind mögliche dynamische Belastungen (Ruckkräfte) mit zu berücksichtigen.



Bei Stativen ist vor allem die maximale Traglast zu beachten. Außerdem sind die meisten Stative aus konstruktiven Gründen nur für das Tragen von genau zentrischer Belastung zugelassen. Stative müssen standsicher aufgestellt werden. Stative sind durch geeignete Maßnahmen zusätzlich zu sichern, wenn zum Beispiel:

- ihre Aufstandfläche keinen sicheren Stand zulässt,
- ihre Höhen die Standsicherheit einschränken,
- mit zu hohem Winddruck zu rechnen ist,
- damit zu rechnen ist, dass sie durch Personen umgestoßen werden. Besondere Maßnahmen können auch zur Vorsorge gegen gefährdendes Verhalten von Zuschauern erforderlich werden. Stative dürfen nicht in Flucht- und Rettungswegen aufgestellt werden. Bei Aufstellung in Verkehrswegen ist auf die erforderliche Breite der Wege und auf ordnungsgemäße Absperrung sowie Kennzeichnung zu achten. Beim Auf- und Absetzen ist eine besondere Gefährdung gegeben. Hierzu sind geeignete Hilfsmittel zu verwenden. Es sind hierbei die nationalen Vorschriften zu beachten.



Während der Montage ist geeignete Schutzausrüstung (insbesondere Kopfschutz, Handschuhe und Sicherheitsschuhe) zu tragen und es sind nur geeignete Aufstiegshilfen (Leitern, Gerüste, etc.) zu verwenden. Die Verantwortung dafür liegt alleine beim ausführenden Installationsbetrieb.



## ACHTUNG!

Nach der Montage ist die Aufhängung des System aus Halterung und Lautsprecher auf sichere Befestigung zu überprüfen.

Der Betreiber von Lautsprechersystemen (ortsfest oder mobil) ist verpflichtet, alle Systemkomponenten unter Berücksichtigung der jeweils nationalen Regelungen regelmäßig zu überprüfen bzw. prüfen zu lassen und mögliche Schäden unverzüglich beseitigen zu lassen. Weiterhin raten wir dringend zu einer ausführlichen Dokumentation aller Überprüfungsmaßnahmen in Prüfbüchern o.ä. Bei längerem oder dauerhaftem Einsatz von Lautsprechern im Freien sind für Standsicherheit und Tragfähigkeit von Aufbauten und Flächen insbesondere auch die Windlasten, Schnee- und Eislasten sowie thermische Einflüsse zu berücksichtigen. Insbesondere die Lastaufnahmepegel geflogener Systeme sollten hier mit ausreichenden Sicherheitsreserven dimensioniert werden. Es sind hierbei die nationalen Vorschriften zu beachten.

- Fragen Sie den Hersteller, ob Ihr Produkt für den Betrieb im Freien geeignet ist.



Professionelle Lautsprechersysteme sind in der Lage, gesundheitsschädliche Schallpegel zu erzeugen. Selbst die Einwirkung scheinbar harmloser Schallpegel über einen längeren Zeitraum kann zu bleibenden Schäden am Gehör führen (ab ca. 95 dBA SPL)! Daher raten wir für alle Personen, die durch den Betrieb von Lautsprechersystemen dem Einfluss hoher Schallpegel ausgesetzt sind, zum Tragen von professionellem Gehörschutz (Ohrstöpsel oder Kapselgehörschutz). Hersteller: Stamer Musikanlagen GmbH, Magdeburger Str. 8, 66606 St. Wendel, Deutschland



# LINEAR 5

# LTS A

## Willkommen in der HK Audio Familie!

Vielen Dank, dass Sie sich für ein Markenprodukt aus unserem Hause entschieden haben, das mit größter Sorgfalt für Sie entwickelt und gefertigt wurde.

Auch wenn Sie bereits eingehende Erfahrungen mit Beschallungsanlagen gesammelt haben – bei diesem Produkt wird es trotzdem einige Dinge geben, die neu für Sie sind. Legen Sie deshalb diese Bedienungsanleitung nicht ungelesen beiseite und bewahren Sie sie zur späteren Verwendung auf.

Wir wünschen Ihnen allzeit besten Sound!

## Ihr HK Audio Team

## Garantie

Registrieren Sie jede einzelne LINEAR 5 LTS A – dann erhalten Sie eine kostenlose Garantieverlängerung bis 5 Jahre! Nutzen Sie die komfortable Online-Registrierung über [www.hkaudio.com](http://www.hkaudio.com).

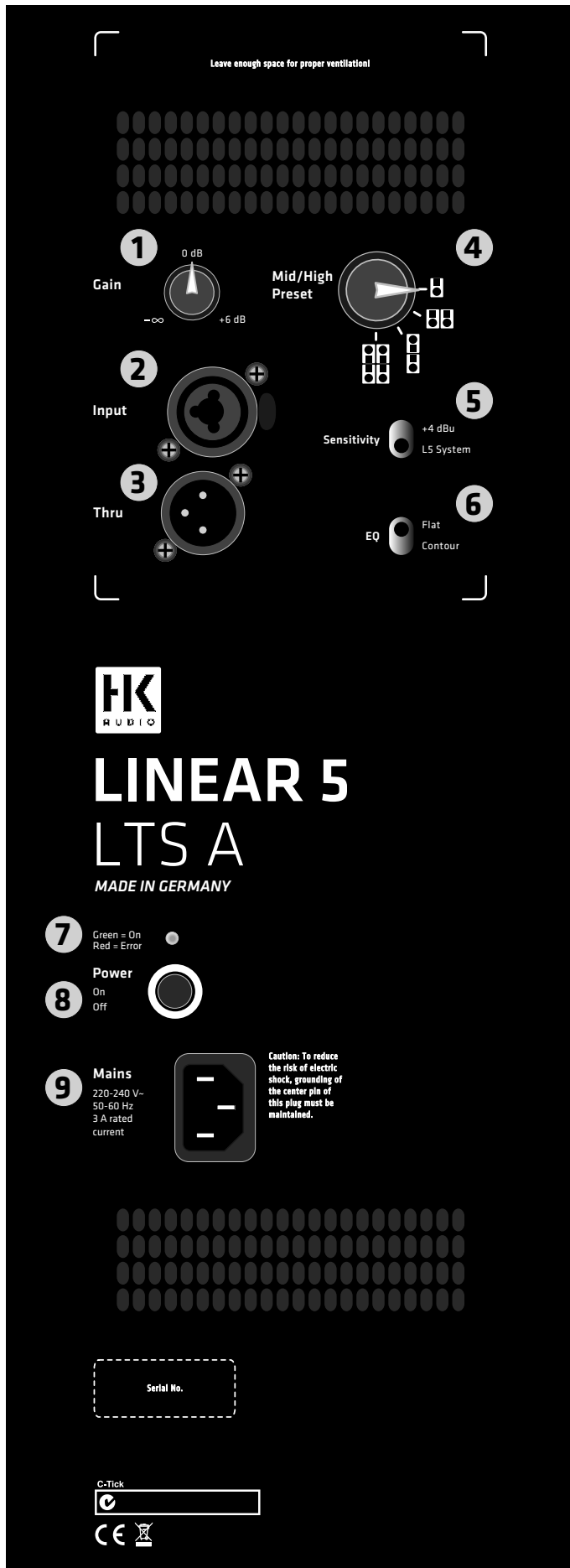
Falls Sie keine Möglichkeit haben, sich online zu registrieren, füllen Sie bitte die beiliegende Garantiekarte vollständig und gut leserlich aus und senden diese per Post oder Fax an uns.

**Die Registrierung ist nur gültig, wenn die vollständig ausgefüllte Registrierungskarte innerhalb von 30 Tagen ab Kaufdatum an HK Audio eingesendet wurde bzw. die fristgerechte Registrierung über das Internet erfolgte.**

Weiterhin möchten wir uns einen Eindruck verschaffen, wo und von wem unsere Geräte angewendet werden. Diese Informationen unterstützen unsere zukünftige Produktentwicklung. Ihre Angaben unterliegen selbstverständlich den deutschen Datenschutzbestimmungen.  
Vielen Dank!

## HK AUDIO

Technischer Service  
Postfach 1509  
66959 St. Wendel, Deutschland  
Fax: +49 6851 905 100



# 1 Bedienelemente

## 1 Gain

Über den Gain-Regler wird die Empfindlichkeit des Inputs an den Eingangspegel angepasst.

### Lautstärkeanpassung mit dem Gain-Regler

Passen Sie mit dem Gain-Regler das Pegelverhältnis von Topteil zu Subwoofer(n) für eingehende Line-Signale an. Ein Subwoofer der Leistungsklasse L SUB 4000 A sollte mit der LINEAR 5 LTS A Lautsprecherbox mindestens im Verhältnis 2:1 und damit einhergehend einer Gain-Position auf 0 dB (Centerclick) betrieben werden.

## 2 Input

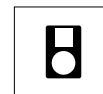
Elektronisch symmetrierte, kombinierte XLR/Klinken-Eingangsbuchse für das Musiksignal.

## 3 Thru

Passiver paralleler Ausgang zur Weiterleitung des in die Input-Buchse eingespeisten Signals.

## 4 Mid/High Preset

Mit diesem Wahlschalter wird die passende Preset-Filterung für die folgenden Betriebsarten der LINEAR 5 LTS A festgelegt:



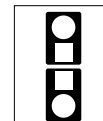
### Single:

Dieses Preset ist für den Einsatz von einer Lautsprecherbox (pro Stereo-Seite) zu wählen.



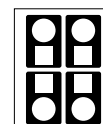
### Cluster:

Das Cluster-Preset optimiert die Filterung auf den Einsatz von zwei Lautsprecherboxen geclustert (nebeneinander) pro Stereo-Seite, um den horizontalen Abstrahlwinkel auf ca. 140° zu verbreitern.



### Headstack:

Das Headstack-Preset ermöglicht ein Platzieren von zwei Lautsprecherboxen übereinander. Durch die akustisch korrekte Kopplung des Hochtons (Multicell Transformator) sowie des Mitteltons durch die Zeilenverlängerung der Lautsprecher wird eine signifikante SPL Anhebung um ca. 6 dB und somit eine Erhöhung der Reichweite erreicht.



### Headstack Cluster:

Mit dem Headstack Cluster-Preset werden die Vorzüge der Betriebsarten Clustering und Headstacking miteinander vereint. Breitere Abstrahlung bei erhöhter Reichweite.

## 5 Sensitivity

Mit diesem Schalter passt man die Eingangsempfindlichkeiten des Inputs an die Signalquelle an. Es stehen zwei Anpassungen für max. Leistung / Vollaussteuerung zur Verfügung: „+4 dBu“ als branchenüblicher Standard bzw. „L5 System“.

Die Stellung „L5 System“ garantiert bei Mittelstellung des Gainreglers (0 dB /Centerclick) ein perfekt abgestimmtes Zusammenspiel mit anderen Komponenten der LINEAR Serie.

## 6 EQ

Der umschaltbare EQ bietet zwei unterschiedliche Grundfilterarten zur Anpassung an das Eingangssignal. Auf der Schalterstellung „Flat“ wird der Frequenzgang auf eine lineare Frequenzwiedergabe optimiert. „Contour“ bezeichnet einen akustisch abgestimmten Filter, der den Mitteltonbereich weicher bei gleichbleibend hoher Transparenz abstimmt.

## 7 Status LED

Die zweifarbige LED zeigt den Status des LINEAR 5 LTS A Topteils an (Grün = Power On, Rot = Limit/Fehler). Ein kurzzeitiges, rotes Aufleuchten der LED zeigt das Arbeiten des Limiters bei Pegelspitzen an.

Achtung! Leuchtet die Signal LED während des Betriebs dauerhaft rot, wird das System überlastet. Reduzieren Sie den Eingangspegel! Wenn kein Eingangssignal anliegt und die Status LED dauerhaft rot leuchtet, liegt ein Fehler vor.

## 8 Power

Power kennzeichnet den Ein-/Aus-Schalter für die LINEAR 5 LTS A. In eingeschaltetem Zustand leuchtet die Status-LED grün.

## 9 Mains

Verbinden Sie diese Anschlussbuchse mittels eines Kaltgerätestromkabels (im Lieferumfang enthalten) mit der Netzsteckdose.

Hinweis: Die LINEAR 5 LTS A ist mit verriegelbaren V-Lock-Netzeingangsbuchsen ausgestattet. In Kombination mit einem verriegelbaren Anschlusskabel („Volex“ oder baugleich, optional erhältlich) kann das Netzkabel arretiert und so gegen unbeabsichtigtes Herausrutschen gesichert werden.

## 2 Anschlüsse und Verkabelung

- Die LINEAR 5 LTS A wurde für die Hauptanwendung als Mid/High-Unit in Verbindung mit Subwoofern der LINEAR SUB Serie konzipiert. Verbinden Sie dazu den Line Out Mid/High des Subwoofers mittels XLR-Kabel mit der Input-Buchse des LTS A.
- Für reine Sprachbeschallung im Betrieb ohne Subwoofer schließen Sie das vom Mischpult kommende Line-Signal über ein symmetrisches XLR/Klinkenkabel an die Input-Buchse an.
- Zum Durchschleifen des am Input anliegenden Signals verwenden Sie ein XLR-Kabel an der Thru-Buchse.

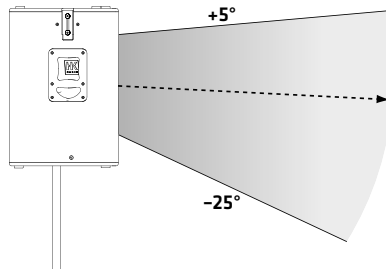
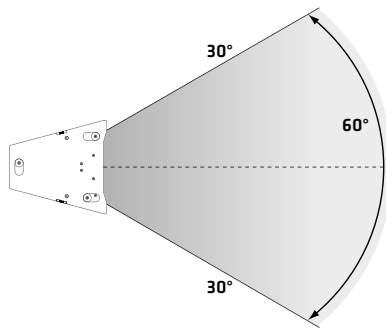
## 3 Inbetriebnahme

- Achten Sie darauf, dass die LINEAR 5 LTS A ausgeschaltet ist.  
Achtung! Achten Sie darauf, dass die Spannungsangabe der LINEAR 5 LTS A der Netzspannung entspricht. Der Anschluss an eine falsche Netzspannung kann die Elektronik dieses Aktivlautsprechers zerstören.
- Achten Sie beim Anschluss eines Line-Signals darauf, dass alle übrigen angeschlossenen Komponenten schon vorher in Betrieb sind. Sowohl das angeschlossene Mischpult als auch alle mit ihm verbundenen Signalquellen wie Keyboards, Instrumentalverstärker, Effekte usw. sollten eingeschaltet sein. Die LINEAR 5 LTS A sollte immer zuletzt, d.h. nach allen anderen Komponenten, eingeschaltet, und zuerst, d.h. vor allen angeschlossenen Geräten, ausgeschaltet werden.
- Nach dem Einschalten mit dem Power-Schalter läuft der Lüfter kurz an (Systemcheck) und stoppt nach ca. 5 Sekunden. Ab diesem Zeitpunkt erfolgt die Lüftersteuerung durch die Elektronik der Box. Der Lüfter läuft nur bei sehr hohen Betriebslautstärken und wird temperaturabhängig geregelt. Während des Systemchecks leuchtet die Status-LED rot. Sie wird grün, wenn kein Fehler vorliegt und Netzspannung anliegt.
- Die Standard-Einstellung des Gain-Reglers ist auf Mittelposition (0 dB/Centerclick). Grundsätzlich ist bei der Benutzung eines Mischpults zur Ansteuerung der LINEAR 5 LTS A diese Pegelstellung zu bevorzugen.
- Anschließend wählen Sie die zutreffende Betriebsart über den Mid/High Preset-Wahlschalter aus.
- Falls Verzerrungen oder Übersteuerungen auftreten, überprüfen Sie die Signalquellen und reduzieren Sie nach Möglichkeit dort das Ausgangssignal.

## 4 Ausrichtung

### Single

Der Abstrahlwinkel der LINEAR 5 LTS A beträgt vertikal +5°/-25° und horizontal 60°. Über die horizontale Ausrichtung der Boxen lassen sich Reflexionen von Wänden minimieren. Durch Drehen der Box kann die Schallverteilung zusätzlich auf die Zuhörerfläche fokussiert werden.



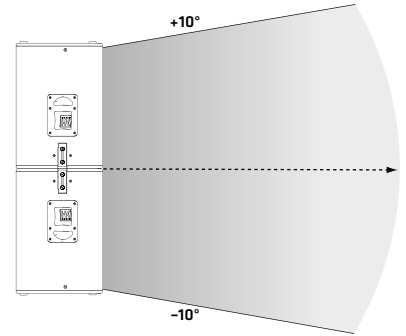
Beim Einsatz der LINEAR 5 LTS A auf Boxenstativen oder Distanzstangen ist kein Anwinkeln der Box auf der vertikalen Achse nötig. Das MCT-Horn gibt ein vertikales Abstrahlverhalten vor, das dem Curving eines korrekt eingerichteten Komponenten-Arrays ähnelt. Die Schallenergie konzentriert sich somit direkt auf die zu beschallende Fläche.

Bei einer senkrechten Anordnung der Lautsprecherbox (Schallwand 90° zur Aufstellfläche) gilt:

- Obwohl der Boxenflansch auf 0° ausgelegt ist, beträgt der vertikale Abstrahlwinkel +5°/-25°.
- Die vertikale akustische Mittelachse liegt bei etwa -3°.
- Deckenreflexionen werden aufgrund dieser asymmetrischen Abstrahlung massiv verringert.
- Die Höhe der Lautsprecherbox definiert daher die Reichweite. Als Richtwert gilt: Befindet sich das Zentrum der Lautsprecherbox auf einer Höhe zwischen 2,50 m und 2,80 m trifft die Mittelachse nach 15,50 m – 21 m bei einer Personengröße von 1,70 m auf die Ohren der Zuhörer.
- Im Verhältnis zum Fernfeld nimmt der HF-Pegel für das Nahfeld und damit für Zuhörer direkt vor der PA ab. Dadurch wird eine sehr homogene Schallverteilung erreicht (siehe Illustration unten).
- Im Stacking-Betrieb dienen die Fräsungen am L SUB 4000 A der fixen Platzierung der LINEAR 5 LTS A. Auch hierfür gelten die oben genannten Richtwerte.
- Im Flugbetrieb erfolgt die horizontale sowie vertikale Ausrichtung bevorzugt über den optional erhältlichen Neigebügel. Das Fliegen der Lautsprecherbox ermöglicht eine höhere Reichweite und die Schallverteilung auf eine größere Fläche.

### Headstack

Bedingt durch das asym. Abstrahlverhalten des MCT-Hochtonhorns ist es bei der LINEAR 5 LTS A möglich, zwei Boxen akustisch korrekt als „vertikales Headstack“ zu betreiben. Dazu wird die zweite Box um 180° gedreht mit ihrem Deckel auf den Deckel der ersten Box aufgesetzt (die obere Box steht dann „auf dem Kopf“, die Frontgitter beider Boxen zeigen nach vorne). Durch die asymmetrische Anordnung von drei Gerätefüßen und entsprechenden Einfräsungen in den Boxendeckeln stehen die beiden Boxen dann verdreh- und verschiebesicher aufeinander. Dann werden die Gehäuse durch den Einsatz der beiden Schiebleche auf den linken und rechten Boxenseiten gegen vertikales Auseinanderziehen gesichert.

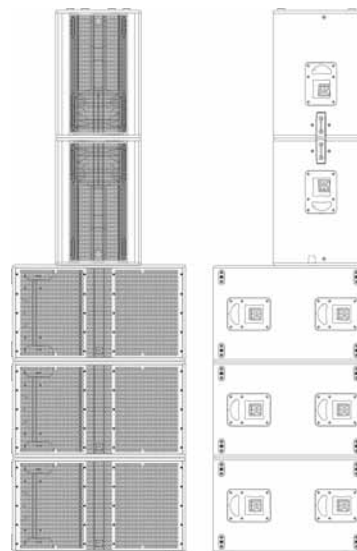


Wir empfehlen folgenden Systemaufbau im Stacking-Einsatz:

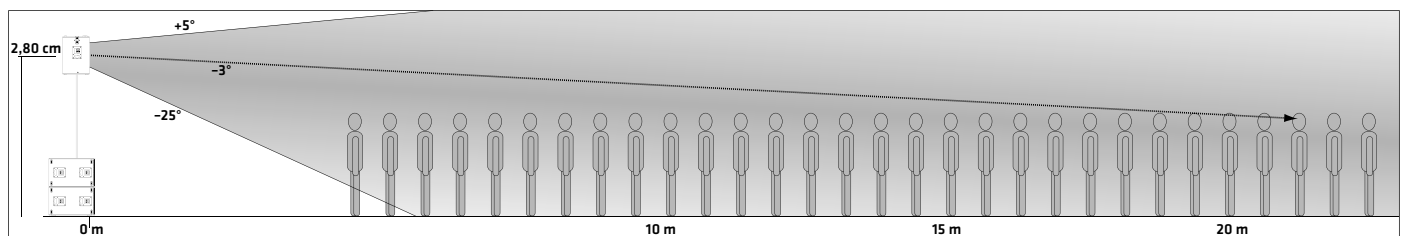
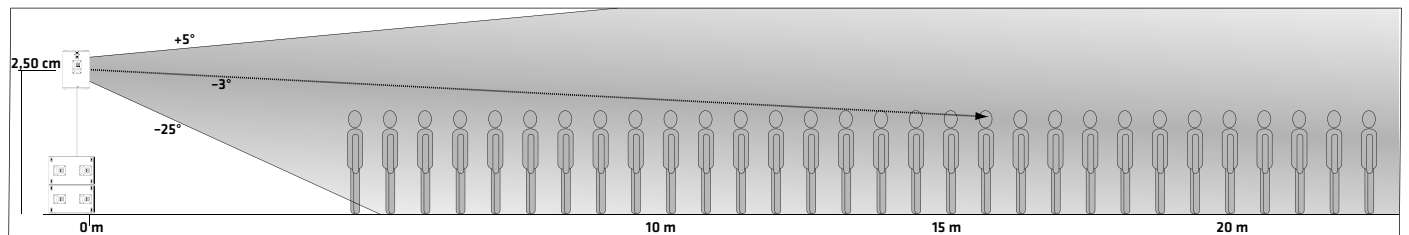
Bei drei übereinander platzierten L SUB 4000 A Subwoofern wird das Headstack aus zwei L5 LTS A mittig auf dem obersten Subwoofer platziert.

Achtung! Gewährleisten Sie zusätzlich einen Kippschutz des Headstack

z.B. durch die Verwendung eines Gewindebolzens M20 - (Durchmesser 35 mm) mit einer Mindestlänge von 50 mm. Schrauben Sie diesen auf das M20-Gewinde des Subwoofers und setzen Sie darauf den Boxenflansch der unteren LINEAR 5 LTS A an.



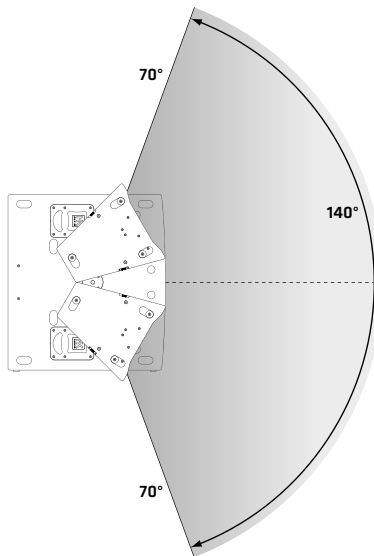
Weiterhin besteht die branchenübliche Möglichkeit, das Headstack mittels Zurrgurten zu sichern.



### Cluster / Headstack Cluster

Das nebeneinander Platzieren zweier LINEAR 5 LTS A zu einem Cluster erweitert den horizontalen Abstrahlwinkel auf ca. 140°. Dafür notwendig ist ein Öffnungswinkel des Clusters von 30° (ca. 24 cm s. Abb.). Das ist wichtig, um Auslöschungen oder Überhöhungen im Frequenzgang (Phasing-Effekte) zu minimieren.

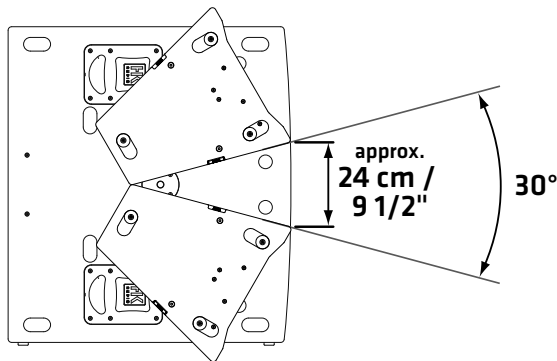
Um diese Anwendung im geflogenen Betrieb zu realisieren, ist optional ein Set bestehend aus Pick-Point und Cluster-Platte erhältlich. Dieses bietet zwei Ansatzpunkte für die Befestigung von Anschlagmitteln (z.B. Stahlseile oder Rundschnurgen). Gleichzeitig schützt es vor einem unbeabsichtigten, horizontalen Auseinanderdrutschen der Boxen und bietet den Vorteil einer starren Verbindung zwischen beiden Gehäusen.



#### Wir empfehlen folgenden Systemaufbau im Stacking-Einsatz:

Bei drei übereinander platzierten L SUB 4000 A wird das Cluster mittig auf dem obersten Subwoofer platziert. Richten Sie gemäß der zu beschallenden Fläche das Cluster unter Beachtung des Öffnungswinkel von 30° horizontal aus.

Ebenso verhält es sich für die Anwendung des „Headstack Cluster“.



Für zusätzliche Sicherheit besteht die branchenübliche Möglichkeit, das Cluster mittels Zurr Gurten zu sichern.

## 5 Technische Daten

Modell	LTS A
Frequenzgang +/- 3 dB	115 Hz - 14 kHz
Frequenzgang -10 dB	100 Hz - 20 kHz
Max. SPL@10% THD	133 dB half space
Max. SPL Peak@10% THD	138 dB half space
Max. SPL Calc.	141 dB half space
Verstärker/Typ	Class D Biamped
Verstärkerleistung	1000 W
Verstärker Treiber	350 W @ 4 Ohm
Verstärker Woofer	650 W @ 4 Ohm
Schutzschaltungen Verstärker	Undervoltage-Protection, Thermoprotection, Short-Circuit-Protection, Overcurrent-Protection
Schutzschaltungen Lautsprecher	Subsonic 24 dB/Okt., Peak-Limiter
Leistungsaufnahme	3.3 A / 230 V Nenn-Stromverbrauch nach EN60065
Eingangsempfindlichkeit	+4 dBu @ Gain Centerclick / L5 System Level
Audioanschlüsse	XLR/Klinke-Kombi-In, XLR-Thru
Netzanschluss	1x Kaltgeräteanschluss mit V-Lock Sicherungssystem
Mittelton-Lautsprecher	3x 8" (16 Ohm) mit 1,5" Schwingspule (Neodymium)
Hochtontreiber	1x 1" (16 Ohm) mit 1,7" Schwingspule
Horncharakteristik	60° x +5°/-25° MCT Horn
Trennfrequenz	1,7 kHz FIR X-Over mit 24 dB/Okt.
Hochständerflansch	MonoTilt 0°
Flugpunkte	5x M8
Griffe	2, integriert
Optionales Zubehör	Schutzhülle, Neigebügel, Neigebügel Extension, Headstack Clustering-Platte, AP-8
Gehäuse	Birke-Multiplex 15/18 mm, 9/13-fach
Frontgitter	2 mm Metallgitter mit Akustikschaumstoff
Oberfläche	Acryllack, schwarz
Abmessungen (BxHxT)	44 x 68 x 46,1 cm
	17-5/16 x 26-25/32 x 18-5/32"
Gewicht	24,9 kg / 54,9 lbs.

## 6 Anwendungen

siehe im Anhang ab Seite 32

## Consignes de sécurité importantes ! A lire avant de se connecter !

Ce produit a été construit conformément à la norme IEC 60065 par le fabricant et a quitté l'usine en bon état de marche. Pour garantir son intégrité et un fonctionnement sans risque, l'utilisateur se doit de suivre les conseils et les avertissements préconisés dans cette notice d'utilisation. En cas d'utilisation de ce produit dans un véhicule terrestre, un navire ou un avion, ou encore à une altitude supérieure à 2 000 mètres, il convient de prendre en considération les normes de sécurité suivantes, en plus de la norme IEC 60065.

**ATTENTION :** Afin d'éviter tout risque d'incendie et d'électrocution, n'exposez pas cet appareil à l'humidité ou à la pluie. N'ouvrez pas le boîtier ; les pièces se trouvant à l'intérieur ne nécessitent pas d'entretien de la part des utilisateurs. Adressez-vous à un spécialiste qualifié pour procéder à l'entretien de l'appareil.



Ce symbole, quel que soit l'endroit où il apparaît, vous signale des pièces sous tension non isolées dans le boîtier. Une tension suffisante pour présenter un risque d'électrocution.



Ce symbole, quel que soit l'endroit où il apparaît, vous signale des pièces sous tension accessibles depuis l'extérieur du boîtier. Tous les câbles extérieurs raccordés à un composant marqué de ce symbole doivent être de type préfabriqués et conformes aux spécifications du fabricant ou doivent avoir été installés par des spécialistes qualifiés.



Ce symbole, quel que soit l'endroit où il apparaît, vous signale des instructions importantes relatives à l'utilisation ou l'entretien de l'appareil à lire dans les documents l'accompagnant. Lisez la notice d'utilisation.



Ce symbole, quel que soit l'endroit où il apparaît, vous signale un risque de brûlure dû à une surface chaude. Ne touchez pas cette surface afin d'éviter de vous brûler.

- Lisez ces instructions.
- Conservez ces instructions.
- Prenez en compte tous les avertissements et toutes les instructions mentionnés sur le produit ou dans cette notice d'utilisation.
- N'utilisez pas ce produit à proximité de l'eau. Ne le placez pas près de l'eau, d'une baignoire, d'un bassin, d'un évier, d'une surface humide, d'une piscine ou d'une pièce humide.
- Ne mettez pas d'objet contenant du liquide sur l'appareil, par exemple, un vase, un verre ou une bouteille, etc.
- Nettoyez-le exclusivement avec un chiffon sec.
- N'enlevez pas le boîtier, ne serait-ce que partiellement.
- La tension de fonctionnement de l'appareil doit être réglée de manière à correspondre à la tension d'alimentation de l'endroit où vous vous trouvez. Si vous n'êtes pas sûr de connaître la tension d'alimentation, demandez à votre revendeur ou à la compagnie d'électricité locale.
- Avant de brancher l'appareil, assurez-vous systématiquement que l'installation électrique (alimentation) dispose de systèmes de protection suffisants contre les courts-circuits et les erreurs de mise à la terre des appareils raccordés.
- Afin de réduire le risque d'électrocution, vous ne devez jamais supprimer la mise à la terre de l'appareil. Utilisez uniquement le câble d'alimentation fourni avec le produit et maintenez la broche centrale de la prise (mise à la terre) en état de fonctionnement. Ne négligez pas la sécurité offerte par les prises polarisées ou avec mise à la terre. Assurez-vous que l'appareil est bien raccordé à une prise disposant d'une terre de protection et que celle-ci est en ordre de marche.
- Protégez le câble d'alimentation afin d'éviter que quelqu'un marche dessus ou qu'il soit pincé, notamment près de la prise, de la prise murale ou à la sortie de l'appareil même ! Les câbles d'alimentation doivent être tout le temps maniés avec précaution. Vérifiez régulièrement que le câble n'est pas fendu ou qu'il ne présente pas de signe d'usure, en particulier près de la prise et à la sortie de l'appareil.
- N'utilisez jamais de câble d'alimentation usé.
- Débranchez l'appareil en cas d'orage ou si vous ne l'utilisez pas pendant une longue période.
- Débranchez l'appareil uniquement en le tenant par la prise au niveau de la prise murale ou de la rallonge. L'appareil doit être placé de telle manière à ce qu'il puisse être débranché facilement à tout moment.
- Fusibles : si nécessaire, remplacez-les uniquement par des fusibles de type IEC127 (5x20 mm) afin de garantir une meilleure performance. Il est interdit d'utiliser des fusibles bricolés ou de raccourcir le porte-fusible. Seul un personnel qualifié est habilité à remplacer les fusibles.
- Confiez tous les travaux d'entretien à des spécialistes qualifiés. Il est nécessaire d'effectuer de tels travaux lorsque l'unité a été endommagée, comme par exemple dans les cas suivants :

- Lorsque le câble d'alimentation est endommagé ou effiloché.
- Si du liquide a pénétré ou un objet est tombé dans le boîtier.
- Si l'appareil a été exposé à la pluie ou à l'humidité.
- Si l'appareil ne fonctionne pas correctement alors que vous avez suivi toutes les instructions à la lettre.
- Si l'appareil est tombé ou que le boîtier est endommagé.
- En cas de raccordement de haut-parleurs à cet appareil, il faut veiller à ne pas descendre sous l'impédance minimale indiquée sur ledit appareil ou dans la présente notice. Les câbles employés doivent présenter une section suffisante, qui soit conforme aux réglementations locales en vigueur.
- Ne l'exposez pas directement aux rayons du soleil.
- Ne l'installez pas à proximité d'une source de chaleur, telle qu'un radiateur, une grille de chauffage, un four ou tout autre appareil susceptible de produire de la chaleur.
- Ne masquez pas les bouches d'aération. Installez l'appareil conformément aux instructions du fabricant. Il ne doit pas être placé dans un emplacement confiné, comme un rack ou une console, sauf si une ventilation suffisante est garantie.
- Si vous déplacez l'appareil, attendez qu'il soit à température ambiante avant de le démarrer, sinon de la condensation peut se former à l'intérieur et endommager l'appareil.
- Ne posez pas de d'objet à flamme ouverte sur l'appareil, comme par exemple une bougie allumée.
- L'appareil doit être placé à au moins 20 cm/8" pouces du premier mur.
- Utilisez l'appareil uniquement avec un chariot, un support, un trépied, des fixations ou une table recommandés par le fabricant ou vendus avec le produit. Si vous utilisez un chariot, maniez-le avec précaution afin d'éviter tout risque de blessure s'il se renverse.
- Utilisez uniquement les accessoires recommandés par le fabricant. Cette consigne concerne toute sorte d'accessoires, qu'il s'agisse de couvertures de protection, de sacs de transport, de supports ou de dispositifs de fixation au mur ou au plafond. Si vous fixez un accessoire à l'appareil, suivez toujours les instructions d'utilisation du fabricant. N'utilisez pas d'autres points de fixation que ceux préconisés par le fabricant.
- Cet appareil NE convient PAS aux personnes dont les capacités motrices, sensorielles ou mentales sont déficientes (y compris les enfants) ou aux personnes ne disposant pas de l'expérience ou des connaissances nécessaires pour faire fonctionner le présent appareil. Cet appareil doit dans tous les cas et être tenu constamment hors de portée des enfants de moins de quatre ans.
- N'insérez jamais d'objets à travers les grilles du boîtier, car ils pourraient toucher des pièces sous tension dangereuses ou provoquer un court-circuit pouvant causer un risque d'incendie ou d'électrocution.
- Cet appareil est capable de délivrer un niveau de pression acoustique de 90 dB, pouvant ainsi causer des troubles irréversibles de l'audition ! L'exposition continue à une nuisance sonore peut provoquer une perte d'audition permanente. Portez des protections auditives adéquates si vous vous exposez de manière continue à un tel niveau de pression acoustique.
- Le fabricant garantit la sécurité, la fiabilité et l'efficacité de fonctionnement de son produit uniquement si :
  - l'assemblage, l'extension, le réajustement, la modification ou la réparation de l'appareil ont été effectués par le fabricant ou par des personnes agréées pour ce genre de travaux.
  - l'installation électrique concernée est conforme aux normes IEC (ANSI).
  - l'unité est utilisée conformément aux instructions d'utilisation.
- Ce produit a été optimisé pour une utilisation avec des signaux musicaux ou voix. Une utilisation avec des signaux sinusoïdaux, rectangulaires ou autres signaux de mesure risque de l'endommager gravement.

## Consignes de sécurité générales pour systèmes de haut-parleurs



Les systèmes de fixation doivent exclusivement être employés pour les systèmes de haut-parleurs fournis par le fabricant et avec les accessoires de montage tels qu'évoqués dans la notice de montage. Dans ce cadre, il convient de respecter scrupuleusement les indications de montage du fabricant. En cas d'utilisation non conforme d'accessoires ou d'installation d'accessoires de montage non d'origine, le dommage en résultant éventuellement ne sera pas couvert par la garantie et la responsabilité du fabricant ne pourra en aucun cas être engagée. Si des modifications sont apportées aux haut-parleurs, aux accessoires de montage, aux raccords et fixations ainsi qu'au matériel d'élingage, la portabilité du système ne pourra plus être garantie et la responsabilité du fabricant ne pourra en aucun cas être engagée. Toute réparation d'éléments de sécurité ne peut être effectuée que

par le fabricant ou son représentant agréé, faute de quoi le permis d'exploitation s'éteint.



L'installation sera exclusivement réalisée par un spécialiste, et ce, uniquement dans des zones de montage présentant une capacité de charge suffisante, un point à vérifier notamment par la prise en compte des normes de construction appliquées. Le matériel de fixation prescrit par le constructeur dans la notice de montage (vis, chevilles, etc.) doit impérativement être employé. Les raccords boulonnés doivent être assurés contre tout desserrement au moyen de mesures appropriées.



Les installations fixes ou mobiles (ici les haut-parleurs, accessoires de montage compris) doivent être assurés contre la chute par deux dispositifs indépendants l'un de l'autre. Les éléments supplémentaires lâches ou les pièces se desserrant doivent pouvoir être retenus par des dispositifs adaptés. En cas d'utilisation de raccords, d'éléments de fixation et de matériel d'élingage, il convient de respecter les dispositions nationales en la matière. Le calcul du dimensionnement des dispositifs de sécurité requiert la prise en compte des charges dynamiques possibles (forces de recul).



En cas d'utilisation de trépieds, il faut surtout prendre en considération la charge maximale supportée. En outre, de par leur conception, la plupart des trépieds permettent uniquement de supporter des charges parfaitement centrées. Les trépieds doivent dès lors être disposés de façon stable. Il est nécessaire d'assurer les trépieds par des mesures supplémentaires dans les cas suivants (liste non exhaustive) :

- lorsque leur surface de pose n'offre pas une stabilité suffisante ;
- lorsque leur hauteur limite leur stabilité ;
- lorsque la force du vent risque d'être élevée ;
- lorsqu'ils risquent d'être heurtés par des personnes.

Des mesures particulières peuvent également s'avérer nécessaires, à titre préventif, pour se prémunir contre des comportements dangereux de la part de spectateurs. Les trépieds ne doivent donc pas être disposés dans des voies d'évacuation ou des passages réservés aux secours. En cas d'installation sur des voies de circulation, veiller à respecter la largeur de circulation requise, à verrouiller le secteur de façon adaptée et à mettre en place la signalisation idoine. Le montage et le démontage sont des phases qui présentent des risques particuliers. Il faut dès lors employer des moyens auxiliaires appropriés. Veiller également, lors de ces opérations, à respecter la législation nationale en la matière.



Lors du montage, il est indispensable de porter des équipements de sécurité adaptés (en particulier un casque, des gants et des chaussures de sécurité) et d'utiliser uniquement des dispositifs d'aide à l'ascension adaptés (échelles, échafaudages, etc.). La responsabilité dans ce domaine incombe uniquement à la société de montage exécutante.



## ATTENTION !

À l'issue du montage, il y a lieu de contre-vérifier la fixation ou la suspension du système (haut-parleurs et supports).

L'exploitant des systèmes de haut-parleurs (fixes ou mobiles) est tenu de vérifier, ou de faire vérifier, tous les composants du système en fonction des réglementations en vigueur dans le pays concerné, et de faire éliminer sans délai les éventuels défauts constatés.

En outre, nous recommandons fortement de constituer une documentation détaillée sur toutes les mesures d'inspection dans les registres de contrôle ou similaires.

En cas d'utilisation prolongée ou permanente de haut-parleurs en plein air, tenir compte, pour la stabilité et la capacité portante des structures et surfaces, de l'influence de paramètres tels le vent, la neige, la glace et autres facteurs thermiques. Dans ce cas, il convient en particulier de dimensionner avec des réserves de sécurité suffisantes les points de support de charge de systèmes suspendus. Veiller également, lors de ces opérations, à respecter la législation nationale en la matière.

- Adressez-vous au fabricant pour savoir si votre produit convient à un usage en extérieur.



Les systèmes de haut-parleurs professionnels sont capables de produire des niveaux sonores dangereux pour la santé. Même des niveaux sonores a priori inoffensifs peuvent, en cas d'exposition prolongée, provoquer des pertes auditives irréversibles (à partir de 95 dBA SPL environ) ! C'est pourquoi nous conseillons à toutes les personnes soumises à des niveaux sonores élevés en raison de l'exploitation de systèmes de haut-parleurs, de porter des protections auditives professionnelles (bouchons d'oreilles ou casques antibruit).  
Fabricant : Stamer Musikanlagen GmbH, Magdeburger Str. 8, 66606 St. Wendel, Allemagne

# LINEAR 5

## LTS A

### Bienvenue dans la famille HK Audio !

Nous vous remercions d'avoir opté pour un produit de notre marque, produit que nous avons développé et fabriqué pour vous, avec le plus grand soin.

Même si vous avez déjà une longue expérience des installations de sonorisation, vous constaterez que ce produit affiche certaines caractéristiques qui seront nouvelles pour vous. C'est pourquoi nous vous conseillons de lire la présente notice et de la conserver ensuite pour consultation ultérieure.

Nous vous souhaitons le meilleur des sons !

### L'équipe HK Audio

### Garantie

Veillez enregistrer chaque enceinte active LINEAR 5 LTS A – et vous obtiendrez une prolongation de garantie gratuite pouvant aller jusqu'à 5 ans ! Vous pouvez, pour ce faire, utiliser notre service d'enregistrement en ligne convivial sur notre site [www.hkaudio.com](http://www.hkaudio.com). Si vous n'avez pas la possibilité de vous inscrire en ligne, veuillez remplir entièrement et lisiblement la carte de garantie ci-jointe et nous la renvoyer par courrier ou par fax.

**Cet enregistrement sera uniquement valable si la carte ad hoc dûment remplie a été retournée à HK Audio dans les 30 jours qui suivent la date d'achat ou si l'enregistrement a été effectué sur Internet dans les délais impartis.**

Par ailleurs, nous aimerions savoir où et par qui nos appareils sont utilisés. Ces informations nous permettent en effet d'améliorer encore la conception de nos produits. Bien entendu, ces données resteront confidentielles, conformément à la législation en vigueur.

Avec tous nos remerciements

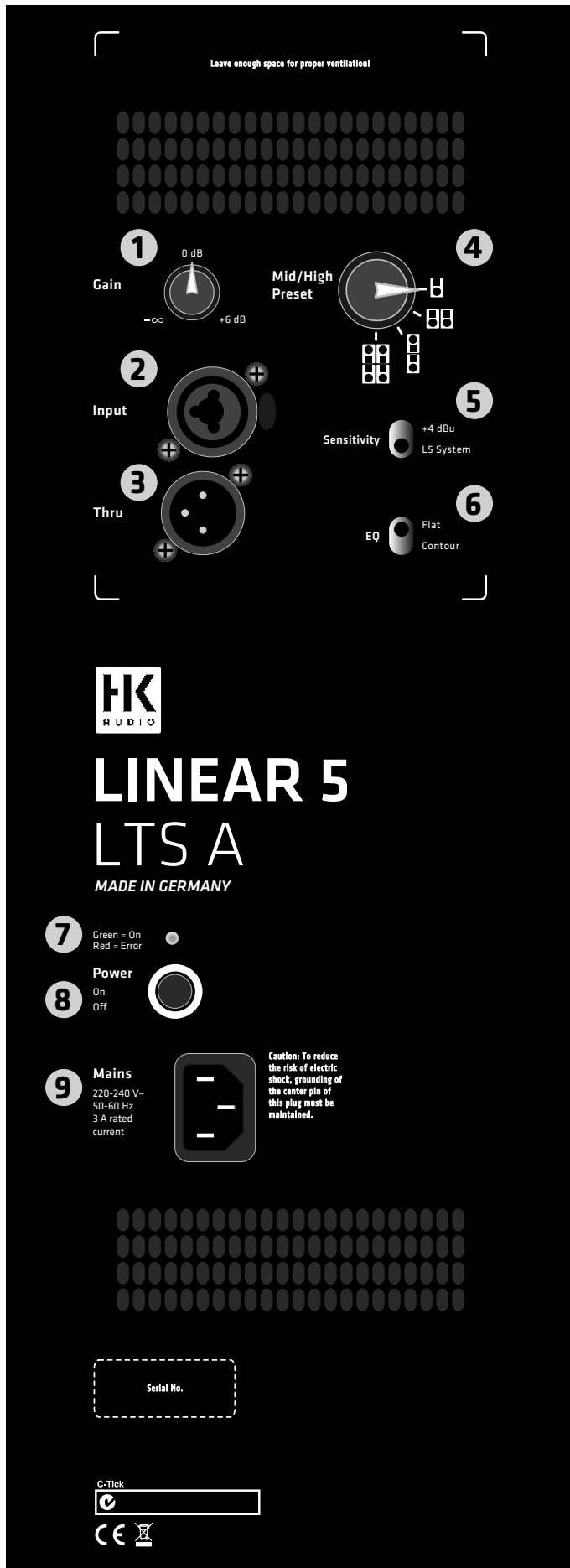
### HK AUDIO

Service technique

Postfach 1509

66959 St. Wendel, Allemagne

Fax: +49 6851 905 100



# 1 Commandes

## 1 Gain

Le potentiomètre Gain permet d'adapter la sensibilité de l'Input au niveau d'entrée.

### Adaptation du volume via le potentiomètre Gain

Le potentiomètre Gain vous permet d'adapter le différentiel de niveau entre satellite et subwoofer(s), pour les signaux Line entrants. Un subwoofer de classe de puissance L SUB 4000 A doit, avec l'enceinte LINEAR 5 LTS A, être utilisé avec un différentiel minimal de 2:1 et ainsi, avec le Gain en position 0 dB (clic central).

## 2 Input

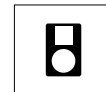
Douille d'entrée XLR/jack combinée, symétrisée électroniquement pour le signal musical.

## 3 Thru

Sortie parallèle passive pour transmission du signal présent à la douille Input.

## 4 Mid/High Preset

Ce sélecteur rotatif permet de déterminer le filtrage de preset adapté aux modes de fonctionnement suivants de l'enceinte LINEAR 5 LTS A :



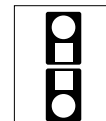
### Single:

Preset à choisir en cas d'utilisation d'une seule enceinte (par côté stéréo).



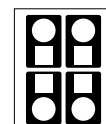
### Cluster:

Le preset Cluster optimise le filtrage lorsque deux enceintes sont regroupées (l'une à côté de l'autre) par côté stéréo, de façon à élargir l'angle de diffusion horizontal jusqu'à 140° environ.



### Headstack:

Le preset Headstack permet de disposer deux enceintes l'une au-dessus de l'autre. Grâce au couplage acoustiquement correct des aigus (Multicell Transformer) et des médiums via l'allongement de la ligne de haut-parleurs, on obtient une augmentation significative du SPL d'environ 6 dB et donc, de la portée.



### Headstack Cluster:

Le preset Headstack Cluster allie les avantages des modes de fonctionnement Clustering et Headstacking. Une diffusion plus large pour une portée accrue.

## 5 Sensitivity

Ce commutateur permet d'adapter les sensibilités en entrée à la source de signal. Il propose deux positions, pour une puissance / un réglage maximaux : « +4 dBu » en tant que standard courant, ou « LS System ».

La position « LS System » garantit, avec le potentiomètre Gain en position centrale (0 dB / clic central), une interaction parfaite avec d'autres composants de la série LINEAR.



## 6 EQ

L'égaliseur (EQ) commutable propose deux types de filtrage de base pour adaptation au signal d'entrée. En position « Flat », la réponse en fréquence est optimisée de façon linéaire. La position « Contour » correspond à un filtrage acoustique spécifique, qui assouplit les médiums tout en préservant un haut niveau de transparence.

## 7 DEL d'état

La DEL bicolore indique l'état du satellite LINEAR 5 LTS A (vert = Power On / alimentation active, rouge = Error / erreur). Si la DEL émet une lumière rouge sur une brève période, elle indique simplement l'intervention du limiteur en cas de pic de niveau.

Attention ! En revanche, si la DEL d'état reste rouge durablement alors que l'appareil est en fonctionnement, c'est que le système subit une surcharge. Vous devez alors absolument réduire le niveau d'entrée ! De même, si la DEL d'état reste allumée en rouge en permanence alors qu'aucun signal d'entrée n'est présent, c'est qu'il y a dysfonctionnement.

## 8 Power

Le bouton Power est l'interrupteur marche/arrêt de l'enceinte LINEAR 5 LTS A. Lorsque le système est activé, la DEL d'état s'allume en vert.

## 9 Mains

Sur cette prise secteur, vous brancherez la fiche correspondante du cordon secteur avec prise de terre (fourni avec l'appareil).

Conseil : L'enceinte LINEAR 5 LTS A est équipée d'une prise d'entrée secteur verrouillable de type V-Lock. Le raccordement verrouillable (« Volex » ou de conception similaire, disponible en option) permet de bloquer le cordon secteur et d'éviter ainsi tout débranchement accidentel de celui-ci.

## 2 Raccordements et commandes

- L'enceinte LINEAR 5 LTS A a essentiellement été conçue pour être employée en tant qu'unité Mid-/High associée à des subwoofers de la gamme LINEAR SUB. Raccordez à cette fin la douille Line Out Mid/High du subwoofer, via un câble XLR, à la douille Input de la LTS A.
- En cas de sonorisation voix uniquement, en fonctionnement sans subwoofer, raccordez le signal Line venant de la table de mixage à la douille Input, via un jack/câble XLR symétrique.
- Pour le bouclage du signal présent en entrée (Input), raccordez un câble XLR à la douille Thru.

## 3 Mise en service

- Assurez-vous que l'enceinte LINEAR 5 LTS A est coupée.  
Attention ! Veillez à ce que la tension indiquée sur la LINEAR 5 LTS A corresponde à la tension secteur disponible. En effet, le raccordement à une tension secteur incorrecte est susceptible de détruire l'électronique de cette enceinte active.
- Veillez à ce que, lors du raccordement d'un signal Line, tous les autres composants raccordés soient préalablement sous tension. Concrètement, la table de mixage raccordée ainsi que toutes les autres sources de signal (claviers, amplis d'instruments, effets, etc.) doivent avoir été activés. L'enceinte LINEAR 5 LTS A doit toujours être mise sous tension en dernier, c'est-à-dire après tous les autres composants. De la même façon, c'est elle qui sera coupée en premier, avant tous les appareils raccordés.
- Après mise sous tension via l'interrupteur Power, le ventilateur tourne brièvement (autocontrôle du système), puis se coupe après 5 secondes environ. À partir de ce moment, la commande du ventilateur est assurée par le circuit électronique de l'enceinte. En d'autres termes, le ventilateur tourne uniquement en cas de volumes très élevés et se régule ensuite en fonction de la température. Pendant l'autocontrôle du système, la DEL d'état s'allume en rouge. Elle passe au vert lorsqu'aucun dysfonctionnement n'est présent et que la tension secteur est disponible.
- Le réglage standard du potentiomètre Gain est sa position centrale (0 dB / clic central). De façon générale, c'est cette position qu'il convient de privilégier lorsque la commande de l'enceinte LINEAR 5 LTS A est assurée au départ d'une table de mixage.
- Choisissez ensuite le mode de fonctionnement souhaité via le sélecteur rotatif Mid/High Preset.
- En cas d'apparition de distorsions ou de saturations, vérifiez les sources de signal et réduisez si possible le signal de sortie correspondant.

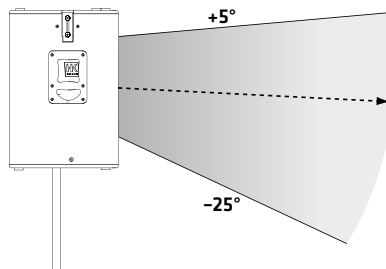
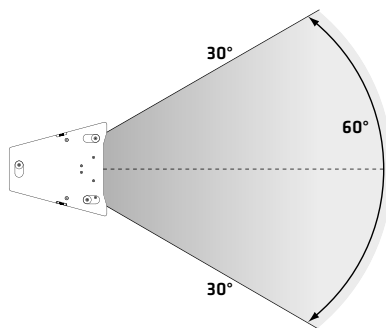
## 4 Orientation

### Single (Simple)

L'angle de diffusion de la LINEAR 5 LTS A atteint  $+5^\circ/-25^\circ$  verticalement et  $60^\circ$  horizontalement. L'orientation horizontale de l'enceinte permet de minimiser les réflexions murales. Le fait de tourner l'enceinte permet de focaliser la répartition du son sur la zone du public.

Si l'enceinte LINEAR 5 LTS A est montée sur un pied ou via des barres d'écartement, il n'est pas nécessaire de l'incliner sur l'axe vertical. Le pavillon MCT présente un comportement de diffusion semblable à celui résultant de la courbe d'un système Line Array correctement orienté.

L'énergie acoustique se concentre ainsi directement sur la zone à sonoriser.

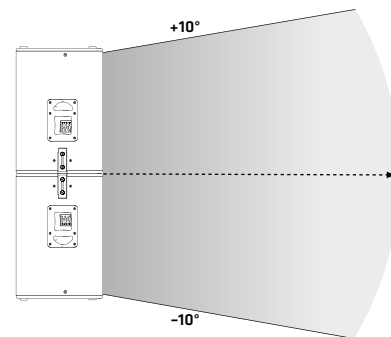


diffuser le son sur une plus grande surface.

### Headstack

Grâce au comportement de diffusion asymétrique du pavillon d'aigus MCT, il est possible, avec la LINEAR 5 LTS A, d'utiliser deux enceintes en tant qu'empilement vertical (Headstack) avec un résultat acoustique correct. Pour ce faire, la deuxième enceinte sera tournée de  $180^\circ$ , avec sa platine disposée sur celle de la première enceinte

(l'enceinte supérieure est donc placée « tête en bas », les grilles des deux étant orientées vers l'avant). De par la disposition asymétrique des trois pieds et la présence des orifices correspondants sur leur platine, les deux enceintes peuvent reposer l'une sur l'autre et être tournées l'une par rapport à l'autre en toute sécurité. Quant aux deux tôles de guidage présentes sur les côtés gauche et droit de chaque enceinte, elles permettent d'éviter tout détachement vertical de celles-ci.

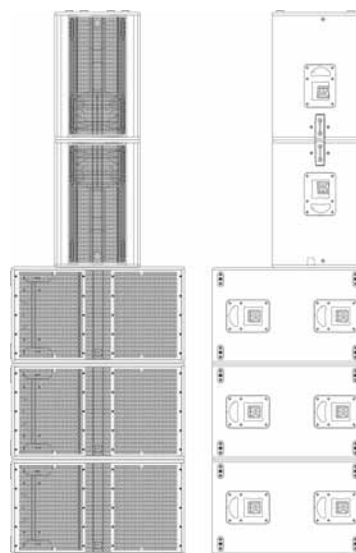


En cas de disposition verticale de l'enceinte (haut-parleur à  $90^\circ$  par rapport à la surface de pose), il convient de tenir compte des données suivantes :

- Bien que l'embase soit placée à  $0^\circ$ , l'angle de diffusion vertical atteint  $+5^\circ/-25^\circ$ .
- L'axe médian acoustique vertical se situe à  $-3^\circ$  environ.
- Grâce à cette diffusion asymétrique, les réflexions perturbatrices au plafond sont massivement réduites.
- La hauteur des enceintes définit dès lors la portée du système. Indications : si le centre du haut-parleur se situe à une hauteur comprise entre 2,50 m et 2,80 m, l'axe médian atteint les oreilles du spectateur (pour une taille de 1,70 m) à une distance comprise 15,50 m et 21 m.
- Par rapport à la zone de Fraunhofer (champ éloigné), le niveau HF pour le champ proche et donc, pour les spectateurs, diminue directement face aux enceintes. On obtient ainsi une répartition du son très homogène (voir illustration ci-dessous).
- En mode Stacking (empilement), les fraisages prévus sur le L SUB 4000 A permettent la fixation de l'enceinte LINEAR 5 LTS A. Les valeurs indiquées ci-dessus prévalent également dans ce cas.
- Si l'enceinte est suspendue, les orientations horizontale et verticale s'effectueront de préférence via l'étrier d'inclinaison disponible en option. Le fait de suspendre les enceintes augmente leur portée et permet de

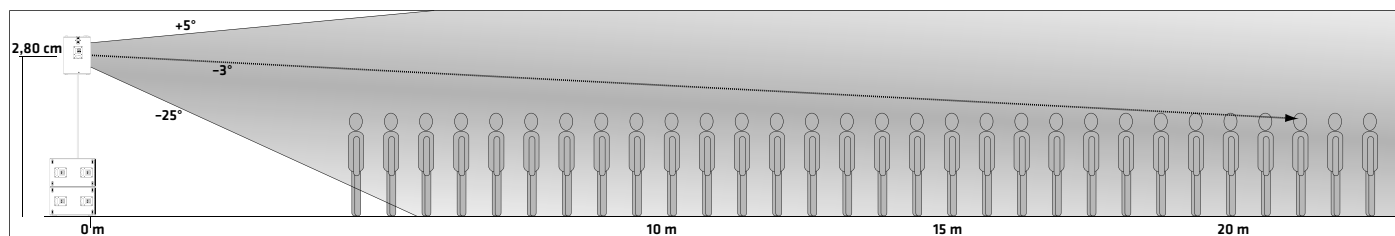
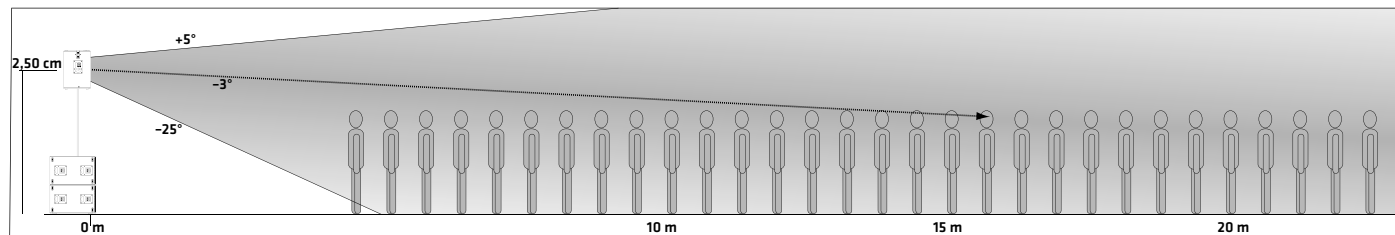
En mode empilement (Stacking), nous recommandons de composer le système comme suit :

Si trois subs L SUB 4000 A sont empilés, le Headstack constitué de deux enceintes L5 LTS A sera disposé au centre du sub supérieur.



**Attention ! Pour éviter tout basculement du Headstack, utilisez par exemple un boulon fileté M20 (diamètre : 35 mm) d'une longueur minimale de 50 mm. Vissez celui-ci sur l'orifice fileté M20 prévu sur le sub, puis posez par dessus l'embase de la première enceinte LINEAR 5 LTS A.**

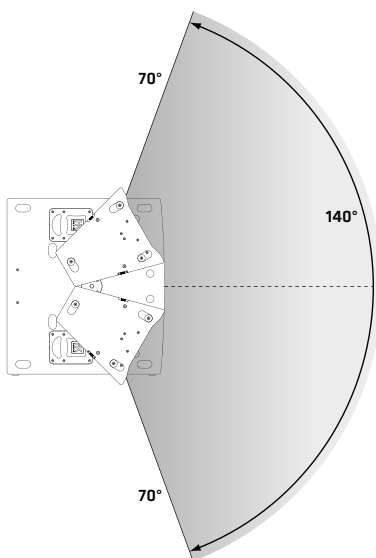
Vous pouvez également assurer le montage via des sangles d'arrimage, telles celles couramment employées dans le métier.



## Cluster / Headstack Cluster

La juxtaposition de deux LINEAR 5 LTS A en Cluster élargit l'angle de diffusion à 140° environ. Pour ce faire, le Cluster doit présenter un angle d'ouverture de 30° (environ 20 cm, voir illustration), et ce, afin de minimiser les phénomènes d'extinction ou de surélévation (effets de phase) sur la réponse en fréquence.

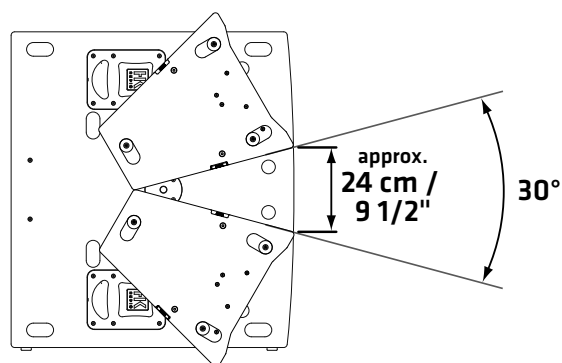
Pour réaliser cette application avec du matériel suspendu, un kit composé d'un rail de fixation et d'une plaque pour montage en Cluster est disponible. Il présente deux points d'ancrage pour la fixation du matériel d'élingage (p. ex. câble d'acier ou élingues rondes sans fin). Il assure en outre une protection contre tout détachement horizontal involontaire des enceintes et offre l'avantage d'une connexion robuste entre les deux boîtiers d'enceinte.



En mode empilement (Stacking), nous recommandons de composer le système comme suit :

Si trois subs L SUB 4000 A sont empilés, le Cluster sera disposé au centre du sub supérieur. Orientez le Cluster en fonction de la zone à sonoriser, en veillant à respecter l'angle d'ouverture de 30°.

Il en va de même pour la configuration en « Headstack Cluster ».



Pour davantage de sécurité, vous pouvez assurer le montage du Cluster via des sangles d'arrimage, telles celles couramment employées dans le métier.

## 5 Caractéristiques techniques

Modèle	LTS A
Réponse en fréquence +/- 3 dB	115 Hz - 14 kHz
Réponse en fréquence -10 dB	100 Hz - 20 kHz
SPL max. à 10% de THD	133 dB half space
Crête SPL max. à 10% de THD	138 dB half space
Calc. SPL max.	141 dB half space
Amplificateur/Type	Classe D - bi-amplifié
Puissance de sortie de l'amplificateur	1000 W
Amplificateur d'attaque	350 watts sous 4 ohms
Amplificateur de graves	650 watts sous 4 ohms
Circuits de protection de l'amplificateur	Protection contre les sous-tensions, protection thermique, protection contre les courts-circuits, protection contre les surtensions
Circuits de protection des haut-parleurs	Subsonique 24 dB/oct., limiteur de crête
Puissance absorbée	Consommation de courant nominale : 3,3 A/230 V, selon EN60065
Sensibilité en entrée	Gain + 4 dBu, clic central / niveau système L5
Raccordements audio	XLR/jack combiné In, XLR Thru
Raccordement au secteur	1x avec prise avec terre et système de verrouillage V-Lock
Haut-parleur de médiums	3 x 8" (16 ohms) avec bobine mobile 1,5" (néodyme)
Moteur d'aigus	1 x 1" (16 ohms) avec bobine mobile 1,7"
Caractéristiques de pavillon	60° x +5°/-25° pavillon MCT
Fréquence de coupure	1,7 kHz FIR X-Over, avec 24 dB/oct.
Embase pour pied	MonoTilt 0°
Points de fixation pour suspension	5x M8
Poignées	2, intégrées
Accessoires (en option)	Housse de protection, étrier d'inclinaison, rallonge pour étrier d'inclinaison, plaque pour Clustering (Headstack), AP-8
Caisse	Bouleau multiplex 15/18 mm, 9/13 épaisseurs
Grille	Grille métallique 2 mm, avec mousse acoustique
Surface	Laque acrylique noire
Dimensions (l x H x P)	44 x 68 x 46,1 cm
	17-5/16 x 26-25/32 x 18-5/32"
Poids	24,9 kg / 54,9 lbs.

## 6 Applications

Voir annexe à partir de la page 32.

## Istruzioni di sicurezza importanti.

### Leggere prima di effettuare il collegamento!

Il presente prodotto è stato fabbricato dal produttore in conformità alla norma IEC 60065 ed è uscito dallo stabilimento in perfette condizioni di funzionamento. Per preservare tali condizioni e garantirne l'uso sicuro, l'utente deve attenersi alle indicazioni e alle avvertenze riportate nelle istruzioni per l'uso. Se volete usare questo prodotto su veicoli, a bordo di navi o di aerei oppure ad altitudini superiori a 2000 m dovete badare alle rispettive norme di sicurezza suppletive alla norma IEC 60065.

**AVVISO:** Per evitare il rischio di incendio o folgorazione, non esporre l'apparecchio ad umidità o pioggia. Non aprire l'involucro poiché al suo interno non vi sono parti riparabili dall'utente. Per la riparazione rivolgersi a personale tecnico qualificato.



Questo simbolo segnala la presenza all'interno dell'involucro di tensione pericolosa priva di isolamento sufficientemente alta da costituire un pericolo di folgorazione.



Questo simbolo segnala la presenza di tensione pericolosa accessibile dall'esterno. Il cablaggio esterno collegato ad un qualunque morsetto contrassegnato da questo simbolo deve essere un cavo preconfezionato conforme ai requisiti indicati dal produttore o un cablaggio installato da personale qualificato.



Questo simbolo segnala importanti istruzioni per l'uso e la manutenzione nella documentazione allegata. Leggere il manuale.



Questo simbolo ha il seguente significato: Attenzione! Superficie calda! Non toccare per evitare scottature.

- Leggere queste istruzioni.
- Conservare queste istruzioni.
- Attenersi a tutti gli avvisi e istruzioni riportati sul prodotto e nel manuale.
- Non utilizzare il prodotto vicino all'acqua. Non collocare il prodotto vicino ad acqua, vasche, lavandini, zone umide, piscine o stanze con presenza di vapore.
- Non collocare sul prodotto oggetti contenenti liquidi, quali vasi, bicchieri, bottiglie ecc.
- Pulire solo con un panno asciutto.
- Non togliere alcun coperchio o parti dell'involucro.
- La tensione di esercizio prescritta per il prodotto deve corrispondere alla tensione di alimentazione della rete locale. In caso di dubbi sul tipo di alimentazione disponibile, rivolgersi al proprio rivenditore o all'azienda di fornitura elettrica locale.
- Prima di collegare l'apparecchio, verificate che l'impianto elettrico sia munito di adatti dispositivi di protezione contro corto circuito e errori della messa a terra in apparecchi collegati.
- Per ridurre il rischio di folgorazione, la messa a terra del prodotto deve essere mantenuta. Utilizzare solo il cavo di alimentazione in dotazione al prodotto e mantenere sempre in funzione il connettore centrale (di terra) del collegamento alla rete. Non escludere la funzione di sicurezza del connettore polarizzato o di messa a terra. Collegare l'apparecchio soltanto a prese di corrente con messa in terra conforme alle norme vigenti.
- Proteggere il cavo di alimentazione affinché non venga calpestato o pizzicato, in particolare in corrispondenza delle prese e degli innesti e nel punto di uscita dal dispositivo. Maneggiare sempre con cura i cavi di alimentazione. Controllare periodicamente la presenza di tagli o usura sui cavi, soprattutto all'altezza della presa e nel punto di uscita dal dispositivo.
- Non utilizzare mai il cavo di alimentazione se danneggiato.
- Scollegare il prodotto in caso di temporale o di lunghi periodi di inutilizzo.
- Il prodotto si scollega completamente dall'alimentazione di rete solo staccando la spina di alimentazione dall'unità o dalla presa a muro. Il prodotto va collocato sempre in modo che sia possibile scollegarlo dall'alimentazione con facilità.
- Fusibili: per garantire prestazioni ottimali, i fusibili utilizzati come ricambio devono essere di tipo IEC127 (5x20 mm) e dell'ampereaggio nominale richiesto. È vietato utilizzare fusibili riparati o cortocircuitare il portafusibili. Fate sostituire i fusibili soltanto da un tecnico qualificato.
- Per tutte le operazioni di riparazione, rivolgersi a personale qualificato. L'unità va riparata nel caso abbia subito danni, come nei seguenti casi:

- Il cavo o la presa di alimentazione sono danneggiati o usurati.
- È penetrato del liquido o degli oggetti all'interno del prodotto.
- Il prodotto è stato esposto a pioggia o umidità.
- Il prodotto non funziona correttamente seguendo le istruzioni.
- Il prodotto ha subito una caduta o l'armadio è stato danneggiato.
- Quando collegate altoparlanti badate di non scendere sotto l'impedenza minima dichiarata sull'apparecchio oppure in questo manuale. Usate sempre cavi dello spessore adatto e corrispondenti alle vigenti norme locali.
- Non esporre ai raggi solari diretti.
- Non installare accanto a fonti di calore quali radiatori, bocchette di diffusione d'aria calda, fornelli o altri dispositivi che generano calore.
- Non chiudere le aperture di ventilazione. Installare l'unità seguendo le istruzioni fornite dal produttore. Il prodotto non è adatto all'installazione ad incasso, ad esempio in un rack, a meno di non garantire un'adeguata ventilazione.
- Quando viene spostato all'interno di un locale, attendere sempre che il dispositivo, se freddo, raggiunga la temperatura ambiente. Qualora venga utilizzato senza che si sia riscaldato, sussiste il rischio di formazione di condensa al suo interno e di conseguenti danni.
- Non collocare sul prodotto fiamme libere, come ad esempio candele accese.
- Il dispositivo va collocato ad almeno 20 cm/8" di distanza dalle pareti.
- Utilizzare solo in abbinamento al carrello, supporto, piedistallo, staffa o tavola specificati dal produttore o venduti insieme al prodotto. Qualora si utilizzi un carrello, prestare attenzione nello spostare il carrello/la combinazione di prodotto per evitare lesioni causate dall'inciampamento.
- Utilizzare solo accessori consigliati dal produttore. Tale prescrizione si applica a tutti i tipi di accessori, ad esempio coperchi di protezione, borse per il trasporto, supporti, dispositivi per il montaggio a parete o a soffitto, ecc. In caso di applicazione di qualsiasi tipo di accessorio al prodotto, osservare sempre le istruzioni per l'uso fornite dal produttore. Non utilizzare mai punti di fissaggio sul prodotto diversi da quelli indicati dal produttore.
- Questo apparecchio NON è adatto all'uso da parte di persone (compresi i bambini) con capacità fisiche, mentali o sensoriali limitate o da persone prive della necessaria esperienza e/o conoscenza. Tenere sempre l'apparecchio al di fuori della portata dei bambini di età inferiore ai 4 anni.
- Non inserire mai oggetti di alcun tipo all'interno del prodotto attraverso le fessure dell'armadio, poiché potrebbero toccare punti con presenza di tensione pericolosa o causare il cortocircuito dei componenti, con il conseguente rischio di incendio o folgorazione.
- Questo prodotto genera livelli di pressione sonora superiori a 90 dB in grado di causare danni permanenti all'udito. L'esposizione a livelli di rumore estremamente elevati può causare la perdita permanente dell'udito. In caso di esposizione continua, indossare protezioni per l'udito.
- Il produttore garantisce la sicurezza, l'affidabilità e l'efficienza del prodotto solo se:
  - l'assemblaggio, l'ampliamento, la reimpostazione, le modifiche o le riparazioni sono eseguiti dal produttore o da personale autorizzato.
  - l'impianto elettrico dell'area interessata è conforme ai requisiti specificati nelle norme IEC (ANSI).
  - l'unità è utilizzata secondo le istruzioni per l'uso.
- Questo prodotto è stato concepito per un'ottima riproduzione di segnali vocali e musicali. Una riproduzione di segnali sinusoidali, onde quadre o altri segnali di misurazione a livelli elevati può gravemente danneggiare l'apparecchio.

### Avvisi di sicurezza per sistemi di altoparlanti



Usate soltanto sistemi di montaggio autorizzati dal produttore per il rispettivo sistema di altoparlanti. Seguite attentamente le istruzioni di montaggio ed usate soltanto accessori di montaggio omologati. È escluso qualsiasi diritto di garanzia in caso di montaggio improprio o se vengono usati accessori di montaggio non omologati. Modificazioni agli altoparlanti, agli accessori di montaggio, agli elementi di connessione e di fissaggio e alle imbracature potrebbero alterare la stabilità del sistema e faranno decadere ogni forma di garanzia. La riparazione di componenti rilevanti dal punto di vista della sicurezza deve venir eseguita soltanto dal produttore o da un suo rappresentante autorizzato – altrimenti decadrà ogni forma di garanzia.



L'installazione deve venir eseguita soltanto da personale competente. Usate soltanto punti di montaggio con una sufficiente capacità portante, considerando eventuali vincoli architettonici. È assolutamente obbligatorio di usare il materiale di fissaggio (viti, tasselli ecc.) indicato nelle istruzioni di montaggio del produttore. Adottate provvedimenti adatti (frenafili, dadi autobloccanti) per prevenire un allentamento dei raccordi filettati.



Assicurate installazioni stazionarie e/o mobili (in questo caso gli altoparlanti e gli accessori di montaggio) contro una caduta dall'alto con due dispositivi indipendenti. Provvedete ad installare dispositivi adatti per cogliere ogni elemento allentato prima che questo possa cadere in terra. Assicuratevi che gli elementi di montaggio e di fissaggio e le imbracature vengano scelti e montati nel rispetto delle normative nazionali e locali vigenti. Tenete conto dei carichi dinamici (forze di trazione-compressione) per calcolare le dimensioni dei dispositivi di sicurezza.



Se usate stativi, badate che non venga oltrepassato il loro carico massimo ammissibile. Badate inoltre che, per motivi costruttivi, gli stativi di solito sono concepiti ed omologati soltanto per portare un carico centrato. Gli stativi devono essere posizionati in modo sicuro e stabile. Provvedete ad assicurare (o meglio ancora fissare) gli stativi se per esempio:

- la loro superficie di appoggio non consenta un posizionamento stabile,
- la loro altezza limita la stabilità,
- si potrebbero manifestare venti forti,
- potrebbero essere rovesciate da persone.

Prendete provvedimenti contro ogni forma di comportamento rischioso da parte degli spettatori. È vietato posare stativi che ingombrano le vie di fuga e l'accesso soccorsi. Se volete posare stativi in una via di comunicazione, verificate prima che la larghezza della via lo consenta e badate in ogni caso ad una protezione (transenne, cordone ecc.) e ad una segnalazione adeguata. Il montaggio e smontaggio degli altoparlanti significa un rischio elevato. Utilizzate sempre l'attrezzatura adatta e assicuratevi che le attività vengano svolte nel rispetto delle normative nazionali in vigore.



Durante il montaggio, indossate sempre indumenti protettivi appropriati (casco, guanti, calzature di sicurezza) ed usate soltanto mezzi di salita adatti e sicuri (scala, ponteggio ecc.). Il rischio è a esclusivo carico della ditta o del tecnico che esegue i lavori di montaggio.



### ATTENZIONE!

Verificate dopo il montaggio del sistema di altoparlanti che il montaggio e cablaggio sia avvenuto in modo corretto e che tutte le giunzioni siano stabili.

L'operatore di un sistema di altoparlanti (stazionario o mobile) è obbligato a controllare o a fare controllare regolarmente ogni componente del sistema nel rispetto delle normative nazionali e locali in vigore e a fare riparare ogni danno immediatamente.

Vi consigliamo di documentare meticolosamente ogni missione di controllo in un libretto di controllo.

Per un sicuro montaggio di altoparlanti all'aperto dovete prendere in considerazione i vari fenomeni che potrebbero limitare la stabilità e la capacità portante dell'impianto, soprattutto i carichi dovuti al vento, al peso della neve o del ghiaccio e gli influssi di temperatura. Badate a dimensionare i punti di sollevamento per un montaggio in sospensione prendendo in considerazione una sufficiente riserva di sicurezza. Assicuratevi che tutto avvenga nel rispetto delle normative nazionali in vigore.

- Se siete insicuri, chiedete al rispettivo produttore se il vostro prodotto sia adatto per un uso all'aperto.



I sistemi di sonorizzazione professionali sono in grado di produrre livelli sonori nocivi alla salute. Anche essere sottoposto a livelli apparentemente inoffensivi (a partire da circa 95 dBA SPL) per un elevato periodo di tempo può provocare perdite dell'udito. Quindi consigliamo che ogni persona sottoposta ad alti livelli sonori provenienti da un sistema di sonorizzazione porti un'adatta protezione per l'udito (tappi auricolari o paraorecchie).  
Produttore: Stamer Musikanlagen GmbH, Magdeburger Str. 8, 66606 St. Wendel, Germania

# LINEAR 5 LTS A

## Benvenuti nella famiglia HK AUDIO!

Grazie per aver scelto un prodotto di marca concepito e fabbricato nella nostra casa secondo i nostri meticolosi criteri di qualità.

Anche se siete un utente esperto di sistemi di sonorizzazione - questo prodotto vi offrirà alcuni aspetti che saranno nuovi per voi. Per questo vi preghiamo di non ignorare questo manuale e di conservarlo in un luogo sicuro per averlo sempre a disposizione.

Vi auguriamo il migliore suono in qualsiasi situazione!

## Il vostro team HK Audio

## Garanzia

Registrate ogni singolo diffusore attivo LINEAR 5 LTS A per ottenere gratis un prolungamento del periodo di garanzia fino a 5 anni! Il modo più veloce e confortevole: la registrazione on line sul nostro sito [www.hkaudio.com](http://www.hkaudio.com). Se non avete la possibilità di registrarvi on line vi preghiamo di completare la cartolina di garanzia inclusa e di spedircela per posta o per fax.

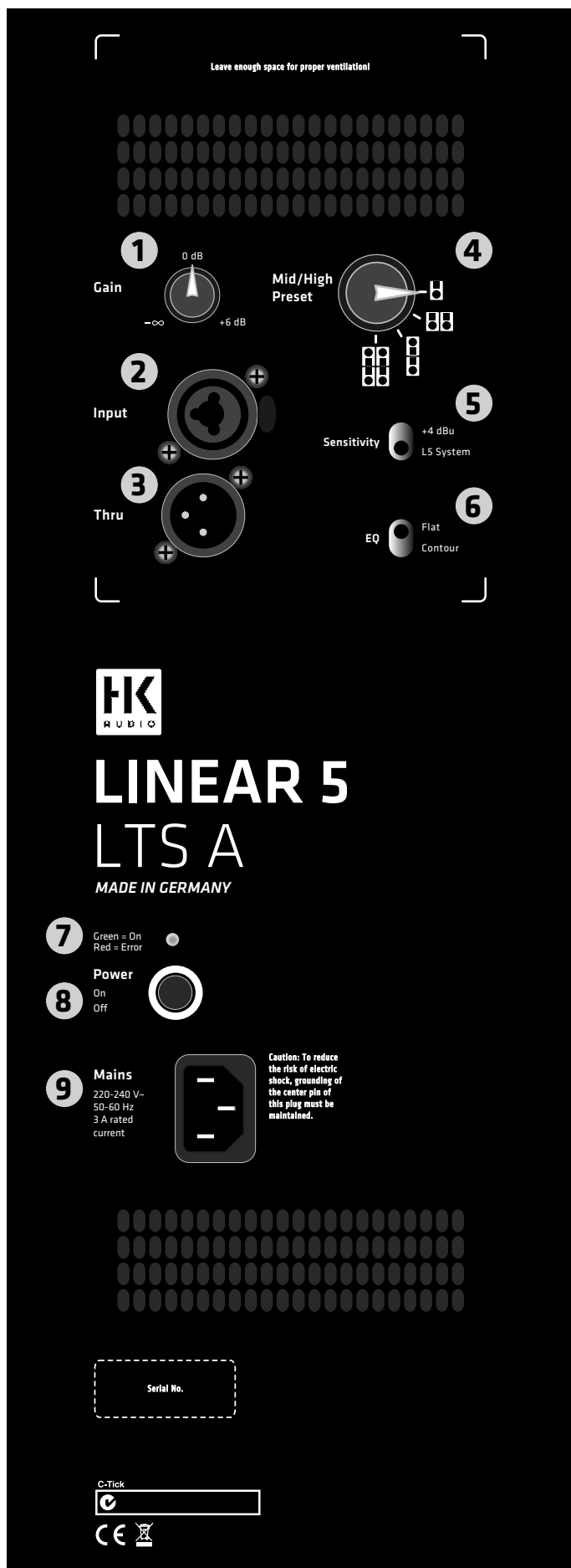
La registrazione è valida soltanto se la cartolina di registrazione riempita ci verrà spedita entro 30 giorni dalla data di acquisto oppure se in questo periodo avverrà la registrazione on line.

Oltre a scopi di garanzia, la registrazione serve a darci un'idea su come e dove i nostri prodotti vengono utilizzati. Queste informazioni ci saranno utili per sviluppare nuovi prodotti. Le vostre indicazioni sono naturalmente coperte dalla segretezza dei dati.

Grazie!

## HK AUDIO

Technischer Service (servizio tecnico)  
Postfach 1509  
66959 St. Wendel, Germania  
Fax: +49 6851 905 100



## 1 Elementi di Controllo

### 1 Gain

Il controllo Gain serve ad adattare la sensibilità d'ingresso al livello della fonte del segnale.

#### Aggiustare il volume col controllo Gain

Usate il controllo Gain per bilanciare la proporzione dei volumi del satellite e del/dei subwoofer in modo di ottenere una riproduzione perfetta del segnale line. Vi consigliamo di combinare almeno due subwoofer della classe L SUB 4000 A con un satellite LINEAR 5 LTS A e di mettere il controllo Gain sulla posizione 0 dB (Centerclick).

### 2 Input

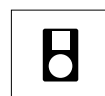
Ingresso combo XLR/jack, bilanciato elettronicamente, per collegare fonti di segnale.

### 3 Thru

Uscita passiva e parallela per un bypass del segnale d'ingresso (Input).

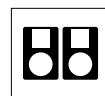
### 4 Mid/High Preset

Selettore per scegliere il filtro Preset adatto ai seguenti modi d'uso del LINEAR 5 LTS A.



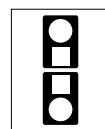
#### Single:

Preset per applicazioni con un satellite per canale stereo.



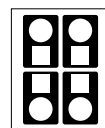
#### Cluster:

Questo preset sceglie il filtro adatto per applicazioni con due satelliti per canale stereo, posati fianco a fianco (cluster). Di questo modo, la dispersione orizzontale dei satelliti si allarga sui 140° circa.



#### Headstack:

Questo preset permette di sovrapporre due satelliti (headstack). Grazie all'accoppiamento acustico delle frequenze alte (multicell transformer) e delle frequenze medie tramite l'estensione della linea degli altoparlanti, lo SPL cresce in modo significativo (di circa 6 dB), offrendovi una portata elevata.



#### Headstack Cluster:

Questo preset combina i meriti dei due modi d'uso cluster e headstack: Amplia dispersione orizzontale e portata elevata.

### 5 Sensitivity

Selettore per adattare la sensibilità d'ingresso alla fonte del segnale. Avrete la scelta fra due modi per massima potenza / full scale: „+4 dBu“ come d'uso comune nel settore oppure „L5 System“.

Il modo „L5 System“ garantisce un'armonia perfetta con gli altri elementi della serie LINEAR, se mettete il controllo Gain sulla posizione mezzogiorno (0 dB/centerclick).

## 6 EQ

Selettore EQ a due posizioni per aggiustare il filtro al segnale d'ingresso. Sulla posizione „Flat“, la risposta in frequenza permette un'ottima riproduzione lineare delle frequenze. „Contour“, invece, sceglie un filtro acustico che attenua le frequenze medie senza perdite di trasparenza.

## 7 Indicatore stato

Un led bicolore indica lo stato del satellite LINEAR 5 LTS A (verde = alimentato, rosso = limite/errore) Un breve lampeggiare rosso indica che il limiter sta rispondendo ai picchi di segnale.

Attenzione! Se l'indicatore status s'illumina permanentemente in rosso, il sistema è sovraccaricato. In questo caso dovete ridurre il livello d'ingresso! Se invece l'indicatore status s'illumina permanentemente in rosso senza che sia presente un segnale, è avvenuto un errore.

## 8 Power

Interruttore d'alimentazione del LINEAR 5 LTS A. L'alimentazione del satellite è indicata dall'indicatore stato illuminato in verde.

## 9 Mains

Collegate questa presa alla corrente usando il cavo d'alimentazione contenuto nella confezione.

Nota: Il LINEAR 5 LTS A è munito di prese d'alimentazione ad alta sicurezza V-Lock. In combinazione con un cavo d'alimentazione pressa e rilascia (VOLEX o simile, in vendita opzionale) evitate un disimpegno involontario del cavo d'alimentazione.

## 2 Collegamenti e connessione dei cavi

- Il LINEAR 5 LTS A è stato concepito come satellite (mid-/high-unit) per i subwoofer della serie LINEAR SUB. Collegate l'uscita Line Out Mid/High del subwoofer con la presa Input del LTS A usando un cavo XLR.
- Se volete usarlo come soluzione stand-alone (per esempio per conferenze e discorsi), collegate il segnale di linea del mixer alla presa Input usando un cavo bilanciato XLR/jack.
- Per un bypass del segnale d'ingresso, collegate un cavo XLR alla presa Thru.

## 3 Messa in funzione

- Verificate che il LINEAR 5 LTS A sia disattivato.

Attenzione! Assicuratevi che la tensione della rete alla quale vi volete collegare corrisponda al valore indicato sul LINEAR 5 LTS. A Collegando l'apparecchio a una tensione non adatta, rischiate di distruggere l'elettronica del diffusore attivo.

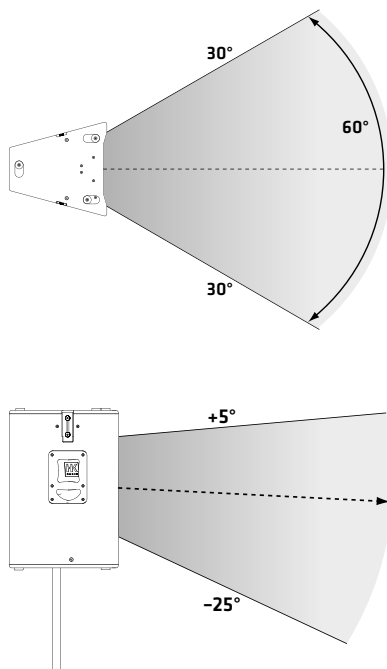
- Prima di collegare un segnale di linea, assicuratevi che tutti gli elementi collegati siano stati attivati. Vale a dire, sia il mixer, sia ogni fonte di segnale collegata al mixer come tastiere, amplificatori per strumenti, processori di segnale ecc. devono essere accesi. Badate di attivare il LINEAR 5 LTS A sempre come ultimo, vale a dire dopo aver attivato tutti gli apparecchi di periferia, e di sempre disattivarlo prima di disattivare questi.
- Dopo aver attivato l'interruttore d'alimentazione, l'aeratore si accende per un breve periodo di circa 5 secondi (check-up del sistema). Dopo questo periodo, l'aeratore è controllato dall'elettronica integrata. L'aeratore si accende soltanto ad alti livelli di volume ed è regolato in funzione della temperatura. Durante il check-up del sistema, l'indicatore Stato s'illumina in rosso. Se non sono presenti errori e se l'apparecchio è alimentato con corrente, l'indicatore s'illumina in verde.
- L'impostazione di default del controllo Gain è la posizione mezzogiorno (0 dB/Centerclick). Se usate il LINEAR 5 LTS A in combinazione con un mixer, vi consigliamo di scegliere quest'impostazione.
- Ora, scegliete il modo d'uso adatto col selettore Mid/High.
- Se si fanno presenti distorsioni o saturazioni, dovete ridurre il livello del segnale generato dalla fonte di segnale.

## 4 Orientazione

### Single

La dispersione verticale del LINEAR 5 LTS A si aggira entro  $+5^\circ$  e  $-25^\circ$ , la dispersione orizzontale ammonta a  $60^\circ$ . Orientando i satelliti in modo orizzontale, potete evitare riflessioni dalle pareti. Inoltre, potete orientare i satelliti in modo di concentrare la dispersione acustica sulla platea.

Potete montare il LINEAR 5 LTS A su stativi o aste di supporto senza dover angolare il satellite sull'asse verticale. La tromba MCT emula la caratteristica dispersione verticale di un line-array con elementi orientati. In altre parole: l'energia sonora si concentra sull'area che volete sonorizzare.



Se posate il satellite in verticale (con un angolo di  $90^\circ$  entro il lato di diffusione e il pavimento), vale quanto segue:

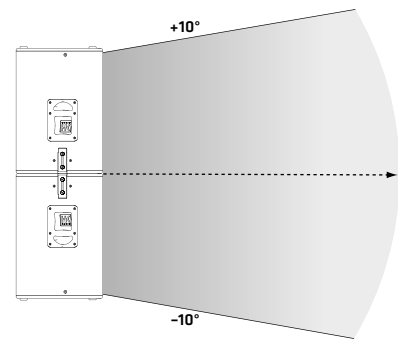
- La dispersione verticale si aggira entro  $+5^\circ$  e  $-25^\circ$  - anche se montate il satellite su un'asta usando la flangia sul lato inferiore.
- L'asse acustica centrale verticale si trova a  $-3^\circ$  circa.
- Questa dispersione asimmetrica evita la maggior parte delle riflessioni del soffitto.
- L'altezza della posizione del satellite definisce la portata. Potete calcolare con i seguenti valori: Se il centro del satellite si trova su un'altezza entro 2,50 m e 2,80 m, l'asse centrale giunge le orecchie degli ascoltatori dopo una distanza entro 15,50 m e 21 m (calcolato per persone di una statura media di 1,70 m).
- A campo stretto - cioè in vicinanza agli altoparlanti - il livello delle frequenze alte risulta minore che a campo largo. Questo permette un'omogenea distribuzione sonora (cfr. illustrazione qui sotto).
- Se usate un sistema stack, le fessure del L SUB 4000 A servono a posizionare il LINEAR 5 LTS A in modo corretto. Anche qui valgono i valori indicati sopra.
- Se usate un sistema sospeso, vi consigliamo di usare la staffa di montaggio in vendita opzionale per ottenere il corretto orientamento orizzontale e verticale. Un sistema sospeso ha una portata elevata e permette la sonorizzazione di un'area più grande.

### Headstack

Grazie all'asimmetrica dispersione della tromba MCT, potete combinare due satelliti LINEAR 5 LTS A per formare un „headstack verticale“.

Basta girare il secondo satellite di  $180^\circ$  e posarlo sul coperchio del primo satellite (Il satellite superiore quindi „sta a testa in giù“, le griglie frontali dei due satelliti sono orientate verso la platea). Il posizionamento asimmetrico dei tre piedini e delle rispettive fessature nel coperchio assicura la giusta orientazione dei due satelliti.

Per fissare i due satelliti sovrapposti, usate le due lamiere scorrevoli sul lato sinistro e destro della custodia.



Vi consigliamo di usare il seguente esempio per un uso come stack:

Usate tre subwoofer LINEAR SUB 4000 A montati uno sopra l'altro come base per l'headstack composto di due LINEAR 5 LTS A posati sul centro del subwoofer superiore.

Attenzione! Per evitare un ribaltamento dell'headstack, potete per esempio usare un bullone filettato M20 (diametro 35 mm) con una

lunghezza minima di 50 mm.

Avvitatelo nel foro filettato

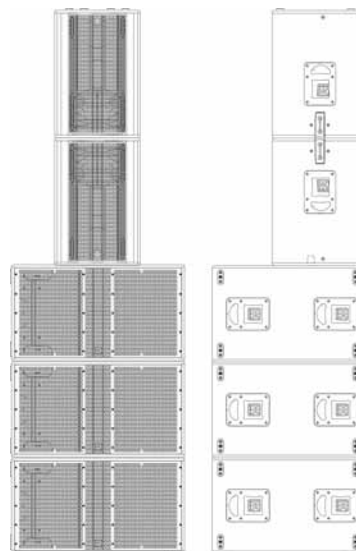
M20 del subwoofer e posate

il LINEAR 5 LTS A inferiore

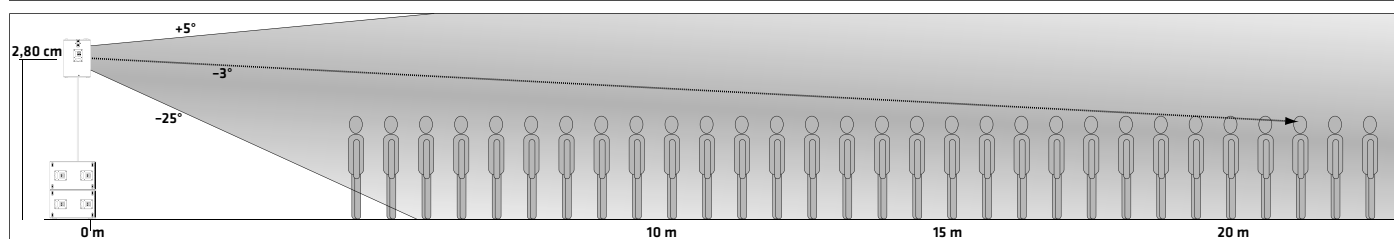
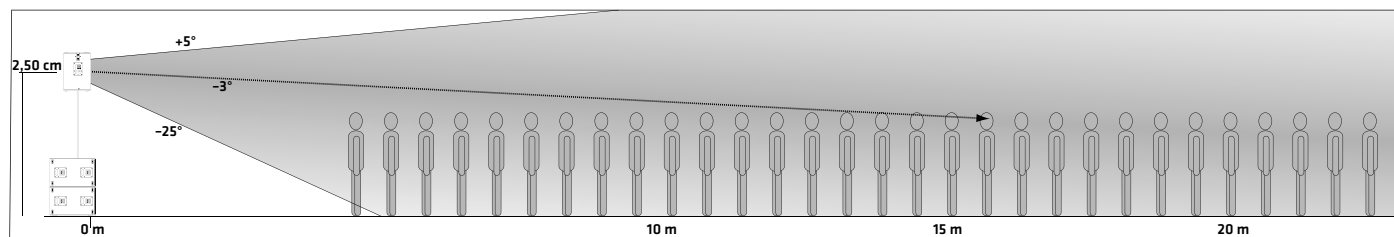
in modo che il bullone

s'inserta nella flangia del

satellite.



Naturalmente potete anche fissare l'headstack usando cinghie di stivaggio.

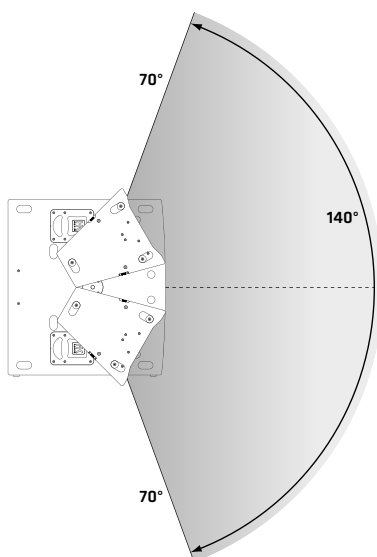




## Cluster / Headstack Cluster

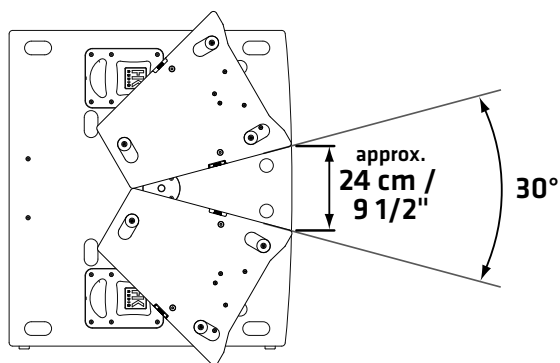
Se posate due LINEAR 5 LTS A fianco a fianco (cluster), la dispersione orizzontale si allarga su circa 140°. L'angolo di apertura del cluster deve essere pari a 30° (circa 20 cm, cfr. illustrazione). Questo è necessario per minimizzare cancellazioni di fase o controfasi.

Per usare un cluster sospeso, vi proponiamo in vendita opzionale un set composto di un pick-point e una piastra cluster. Questo vi offrirà due punti per fissare corde d'acciaio, brache circolari e simili utensili da rigging ed evita che i satelliti si smuovano grazie a una connessione fissa delle loro custodie.



Vi consigliamo di usare il seguente esempio per un uso come stack:

Usate tre subwoofer LINEAR SUB 4000 A sovrapposti come base per il cluster da porre sul centro del subwoofer in cima. Orientate il cluster in modo orizzontale verso la platea badando all'angolo di apertura di 30°. Lo stesso vale per l'uso come „headstack cluster.“



Per una massima sicurezza potete anche fissare l'headstack usando cinghie di stivaggio.

## 5 Caratteristiche tecniche

Modello	LTS A
Risposta in frequenza +/- 3 dB	115 Hz - 14 kHz
Risposta in frequenza -10 dB	100 Hz - 20 kHz
Max. SPL@10% THD	133 dB half space
Max. SPL Peak@10% THD	138 dB half space
Max. SPL Calc.	141 dB half space
Amplificatore/tipo	Class D Biamped
Potenza di uscita dell'amplificatore	1000 W
Amplificatore driver	350 W @ 4 Ohm
Amplificatore woofer	650 W @ 4 Ohm
Circuiti di protezione dell'amplificatore	Undervoltage-Protection, Thermoprotection, Short-Circuit-Protection, Overcurrent-Protection
Circuiti di protezione degli altoparlanti	Subsonic 24 dB/ottava, Peak-Limiter
Assorbimento di potenza	3,3 A/230 V corrente nominale assorbita conforme a EN60065
Sensibilità d'ingresso	+4 dBu @ Gain Centerclick / LS System Level
Collegamenti audio	XLR/jack-combi-In, XLR-Thru
Alimentazione	1 x cavo d'alimentazione con sistema di sicurezza V-Lock
Altoparlante medi	3x 8" (16 Ohm) con bobina 1,5" (neodimio)
Driver acuti	1x 1" (16 Ohm) con bobina 1,7"
Caratteristiche della tromba	60° x +5°/-25° tromba MCT
Frequenza di separazione	1,7 kHz FIR X-Over con 24 dB/ottava
Flangia di supporto	MonoTilt 0°
Punti da rigging	5x M8
Manici	2, integrati
Accessori opzionali	Custodia di protezione, staffa di montaggio, estensione per staffa di montaggio, piastra per headstack cluster, AP-8
Custodia	Compensato in betulla 15/18 mm, 9/13 strati
Griglia frontale	Griglia in metallo 2 mm con plastico espanso speciale
Superficie	Smalto acrilico, nero
Dimensioni (L x A x P)	44 x 68 x 46,1 cm
	17-5/16 x 26-25/32 x 18-5/32"
Peso	24,9 kg / 54,9 lbs.

## 6 Applicazioni

cfr. appendice a partire da pagina 32

## Importantes instrucciones de seguridad.

### ¡Leer antes de encender!

Este producto ha sido elaborado por el fabricante de conformidad con IEC 60065 y ha salido de fábrica en perfecto estado. Para que se mantenga en perfectas condiciones y asegurar que no exista riesgo alguno, el usuario deberá observar los avisos y advertencias que se encuentran en el manual de instrucciones. En caso de utilizar este producto en vehículos, embarcaciones o aviones, así como a altitudes superiores a los 2.000 m sobre el nivel del mar, además de la norma IEC 60065 también se deberán cumplir las demás normas de seguridad aplicables.

**ADVERTENCIA:** Para prevenir el riesgo de incendio y el peligro de electrocución, evite la exposición del equipo a humedad o lluvia. No abra la cubierta: en el interior no hay elementos que deba manipular el usuario. El mantenimiento deberá quedar a cargo de personal cualificado.



La presencia de este símbolo advierte de la existencia de tensión peligrosa sin aislar en el interior que podría ser suficiente para provocar una electrocución.



La presencia de este símbolo advierte de la existencia de tensión peligrosa accesible desde el exterior. Todo cableado externo conectado con algún terminal marcado con este símbolo deberá ser un cableado preelaborado que satisfaga las recomendaciones del fabricante o deberá ser instalado por personal cualificado.



La presencia de este símbolo advierte de importantes instrucciones de uso y mantenimiento en la bibliografía adjunta. Lea el manual.



La presencia de este símbolo indica: ¡Precaución! ¡Superficie caliente! No tocar para evitar quemaduras.

- Lea las presentes instrucciones.
- Conserve las presentes instrucciones.
- Observe todas las advertencias e indicaciones señaladas en el producto y en las instrucciones.
- No utilice el producto cerca del agua. No coloque el producto cerca de agua, baños, bañeras, fregaderos, zonas húmedas, piscinas o saunas.
- No coloque objetos que contengan líquidos sobre el producto, como jarrones, vasos, botellas, etcétera.
- Limpie exclusivamente con paños secos.
- No retire ninguna cubierta ni elementos del armazón.
- La tensión operativa del producto deberá ajustarse a la tensión del suministro eléctrico local. Si no está seguro del tipo de electricidad disponible, consulte con su distribuidor o con la compañía eléctrica local.
- Antes de conectar el aparato debe asegurarse de que la instalación de alimentación de red tenga equipos de protección suficientes contra cortocircuito y fallo de puesta a tierra de los dispositivos conectados.
- Para reducir el riesgo de electrocución, deberá mantenerse la puesta a tierra del producto. Utilice solamente el cable de alimentación suministrado con el producto y mantenga siempre activo de la patilla central (puesta a tierra) del cuadro de conexiones. No desactive la función de seguridad del enchufe polarizado o con puesta a tierra. El aparato solamente debe conectarse a enchufes que tengan una puesta a tierra de protección que funcione reglamentariamente.
- Proteja el cable de alimentación de pisadas o pinzamientos, especialmente junto a enchufes, soportes de dispositivos y el punto de salida desde el equipo. Los cables de alimentación deberán manipularse siempre con precaución. Compruebe periódicamente que los cables no tengan cortes ni signos de desgaste, especialmente en el enchufe y en el punto de salida desde el equipo.
- No utilice nunca un cable dañado.
- Desenchufe el producto durante las tormentas con aparato eléctrico o cuando vaya a estar en desuso durante periodos prolongados.
- El producto solamente se puede desconectar por completo de la red extrayendo el enchufe de red de la unidad o de la toma de la pared. El producto deberá colocarse en todo momento de tal modo que su desconexión de la red sea sencilla.
- Fusibles: Reemplace solamente con fusibles de tipo (5x20 mm) y amperaje según IEC 127. Está prohibido usar „fusibles parcheados“ o cortocircuitar los portafusibles. La sustitución de los fusibles debe ser realizada únicamente por personal cualificado.
- El mantenimiento deberá quedar a cargo de personal cualificado. Será necesaria una revisión si la unidad resulta dañada de cualquier forma, por ejemplo:

- si el cable de alimentación o el enchufe están dañados o deshilachados;
- si se han derramado líquidos sobre el producto o han caído objetos en él;
- si el producto se ha visto expuesto a lluvia o humedad;
- si el producto no funciona con normalidad pese a seguirse las instrucciones de uso;
- si el producto ha sido salpicado o el cajetín ha sido dañado.
- Cuando se conecten altavoces a este aparato no se podrá sobrepasar el límite de impedancia mínima especificado en el aparato o en las presentes instrucciones. La sección de los cables empleados debe ser suficiente en conformidad con la reglamentación local.
- Proteja de la luz solar directa.
- No instale cerca de fuentes de calor como radiadores, difusores de calor, estufas u otros dispositivos que produzcan calor.
- No bloquee ninguna abertura de ventilación. Instale de conformidad con las instrucciones del fabricante. No deberá situarse el producto en una instalación integrada, como una rejilla, a no ser que exista la ventilación necesaria.
- Permita siempre que un dispositivo frío se caliente a temperatura ambiente cuando se traslade a alguna sala. Pueden formarse condensaciones en el interior del producto y dañarlo cuando se usa sin precalentamiento.
- No sitúe fuentes de llama abierta, como velas encendidas, sobre el producto.
- El dispositivo deberá situarse al menos a 20 cm/8" de distancia de las paredes.
- Utilice solamente con el carro, soporte, trípode, abrazadera o tablero especificado por el fabricante o vendido junto con el producto. Cuando se use un carro, deberá tenerse precaución al mover la combinación de carro/producto para evitar daños por vuelcos.
- Utilice solamente accesorios recomendados por el fabricante; esto será de aplicación para todo tipo de accesorios, por ejemplo, cubiertas protectoras, bolsas de transporte, pies, soportes murales o de techo. En caso de instalación de cualquier tipo de accesorio en el producto, siga siempre las instrucciones de uso suministradas por el fabricante. Nunca utilice puntos de fijación distintos de los especificados por el fabricante.
- El dispositivo NO es apropiado para su uso por parte de cualquier persona o personas (niños incluidos) con las capacidades físicas, sensoriales o mentales limitadas o sin la experiencia o el conocimiento suficientes con productos de este tipo. El dispositivo deberá mantenerse siempre fuera del alcance de los niños menores de 4 años.
- Nunca introduzca objetos de ninguna clase en el producto a través de las ranuras del cajetín, ya que podrían tocar puntos de tensión peligrosa, ni cortocircuite elementos que pudieran causar riesgo de incendio o electrocución.
- El producto puede emitir niveles de presión sonora por encima de 90 dB, lo que puede causar daños auditivos permanentes. La exposición a niveles sonoros extremadamente altos puede causar pérdidas auditivas permanentes. Lleve protección auditiva si va a estar expuesto de forma continua a dicho tipo de elevados niveles.
- El fabricante solamente garantiza la seguridad, la fiabilidad y la eficiencia del producto si:
  - el montaje, la extensión, el reajuste, las modificaciones o las reparaciones son realizados por el fabricante o por personal autorizado;
  - la instalación eléctrica del área interesada es conforme con los requisitos de las especificaciones de IEC (ANSI);
  - la unidad se utiliza conforme a las instrucciones de uso.
- Este producto está optimizado para el uso de señales de música y voz. El uso de señales senoidales, rectangulares o de medición de otro tipo con nivel superior puede dañar seriamente el aparato.

### Instrucciones generales de seguridad para sistemas de altavoces



Los sistemas de fijación deben usarse exclusivamente para los sistemas de altavoces autorizados por el fabricante y con los accesorios de montaje indicados en las Instrucciones de montaje. Deben tenerse en cuenta obligatoriamente las Instrucciones de montaje del fabricante. No puede garantizarse la carga indicada y el fabricante no asume ninguna responsabilidad en caso de montaje inadecuado o uso de accesorios de montaje no autorizados. No puede garantizarse la capacidad de carga del sistema y el fabricante no asume ninguna responsabilidad si se realizan modificaciones en los altavoces, los accesorios de montaje, los elementos de unión y de fijación, así como los medios de sujeción.

Los reparaciones en las piezas relevantes para la seguridad deben ser realizadas sólo por el fabricante o personas autorizadas por él, de lo contrario se extinguirá la autorización de funcionamiento.



La instalación tiene que realizarse exclusivamente un experto y sólo en puntos de montaje con una capacidad de carga suficiente, si procede, teniendo en cuenta las servidumbres de construcción. Debe usarse el material de fijación (tornillos, tacos, etc.) estipulado por el fabricante en las Instrucciones de montaje. Las uniones atornilladas deben asegurarse contra aflojamiento con las medidas apropiadas.



Las instalaciones estacionarias o móviles (altavoces incluidos accesorios de montaje) deben asegurarse contra caídas por medio de dos dispositivos de actuación independiente entre sí. Las piezas adicionales sueltas o las que se aflojen deben sujetarse con los dispositivos apropiados. Si se usan elementos de unión y de fijación, así como medios de sujeción, deben tenerse en cuenta las normas nacionales. Respecto a la medición de los medios de seguridad, deben tenerse en cuenta las posibles cargas dinámicas (fuerzas a sacudidas).



En los pies de soporte debe tenerse en cuenta principalmente la carga máxima. Además, por motivos constructivos, la mayoría de los pies de soporte sólo están autorizados para soportar la carga exactamente centrada. Los pies de soporte deben instalarse de forma estable. Los pies de soporte tienen que asegurarse adicionalmente con las medidas apropiadas, por ejemplo cuando:

- su superficie de apoyo no permita un apoyo estable,
  - sus alturas limiten la estabilidad,
  - se espere una presión del viento excesiva,
  - se prevea que puedan ser volcados por personas.
- Pueden ser también necesarias medidas especiales como precaución contra el comportamiento peligroso de los espectadores. Los pies de soporte no deben instalarse en las vías de escape y de emergencia. En caso de instalación en vías de circulación debe tenerse en cuenta la anchura necesaria de las vías y el bloqueo y señalización reglamentarios. Existe un peligro especial al colocar y apilar. Para ello deben usarse los medios auxiliares adecuados. Deben tenerse en cuenta las normas nacionales.



Durante el montaje debe usarse equipo protector adecuado (especialmente casco protector, guantes y calzado de seguridad) y sólo deben usarse ayudas para subir apropiadas (escaleras, andamios, etc.). La responsabilidad exclusiva será de la empresa que realice la instalación.



### ¡ATENCIÓN!

Después del montaje tiene que comprobarse la suspensión del sistema en el soporte y la fijación segura de los altavoces. El explotador de los sistemas de altavoces (estacionarios o móviles) está obligado a comprobar o hacer comprobar regularmente todos los componentes del sistema teniendo en cuenta las regulaciones nacionales respectivas y hacer solucionar inmediatamente los posibles daños.

Además, recomendamos una documentación completa de todas las medidas de comprobación en los libros de inspección o similares. Para el uso prolongado o permanente de altavoces al aire libre deben tenerse en cuenta también las cargas de viento, nieve y hielo o las influencias térmicas para la estabilidad y capacidad portante de las superestructuras y superficies. En especial, los puntos de sujeción de la carga de los sistemas suspendidos tienen que dimensionarse con reservas de seguridad suficientes. Deben tenerse en cuenta las normas nacionales.

- Consulte con el fabricante si su producto es apropiado para el funcionamiento al aire libre.



Los sistemas de altavoces profesionales pueden crear niveles acústicos perjudiciales para la salud. La influencia de un nivel acústico aparentemente inofensivo durante un período prolongado puede causar daños permanentes en la audición (desde aprox. 95 dBA SPL). Por ello, aconsejamos que todas las personas expuestas a un nivel acústico alto debido al funcionamiento de sistemas de altavoces usen protección acústica profesional (tapones para los oídos o auriculares protectores). Fabricante: Stamer Musikanlagen GmbH, Magdeburger Str. 8, 66606 St. Wendel, Alemania

# LINEAR 5

# LTS A

## ¡Bienvenido a la familia HK Audio!

Muchas gracias por haberse decidido por un producto de una de nuestras marcas, que hemos desarrollado y cuidado con el máximo esmero.

Aunque tenga ya una amplia experiencia con instalaciones de sonido, en este producto encontrará novedades para Ud. Por lo tanto, debe leer este manual del usuario y guardarlo para su consulta posterior.

¡Le deseamos que disfrute del mejor sonido que haya oído nunca!

## El equipo HK Audio

## Garantía

Registre cada caja activa LINEAR 5 LTS A y obtendrá ¡una prolongación gratuita de la garantía hasta 5 años! Utilice el cómodo registro online a través de [www.hkaudio.com](http://www.hkaudio.com). Si no puede registrarse online, rellene íntegramente y bien legible la tarjeta de garantía adjunta y envíela por correo o fax.

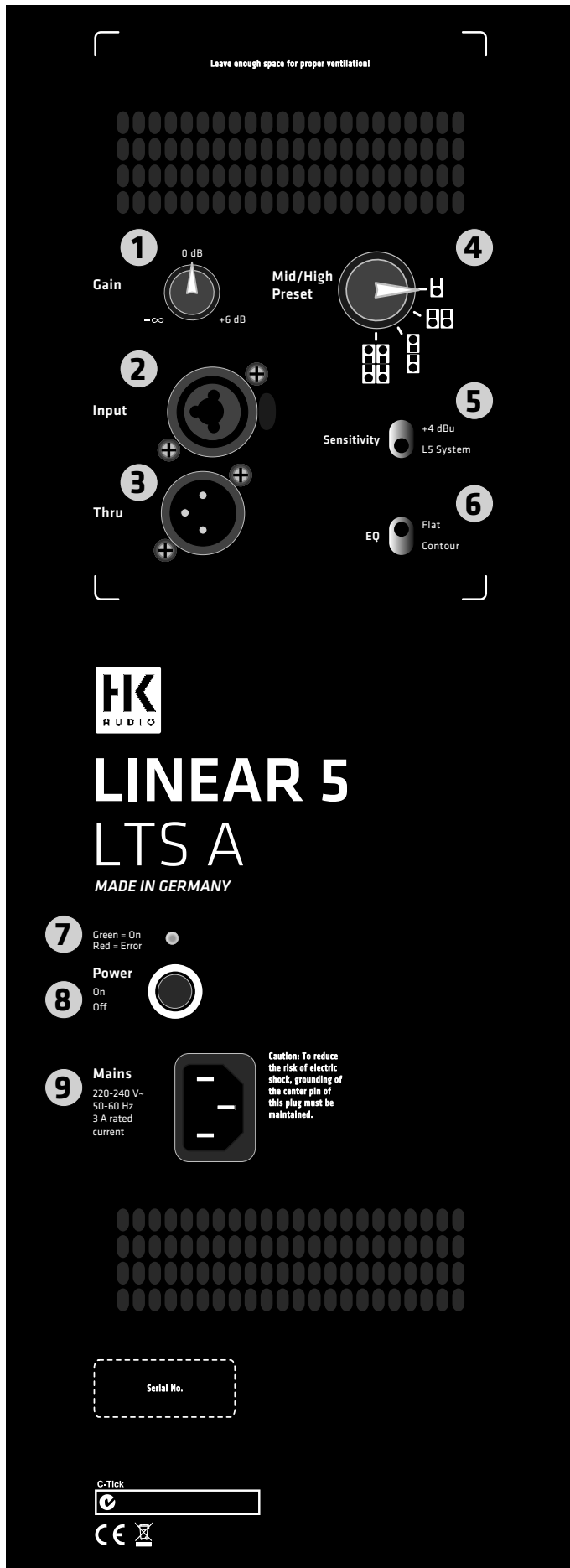
**El registro solamente es válido si se ha enviado la tarjeta de registro totalmente cumplimentada dentro de un plazo de 30 días desde la fecha de compra a HK Audio o si ha realizado el registro dentro del plazo a través de Internet.**

Además deseamos obtener una impresión de dónde se utilizan nuestros aparatos y quién lo hace. Estas informaciones son útiles para el desarrollo de nuestros productos futuros. Por supuesto, sus datos están sujetos a las disposiciones de la ley protección de datos alemana.

¡Muchas gracias!

## HK AUDIO

Technischer Service  
Postfach 1509  
66959 St. Wendel, Alemania  
Fax: +49 6851 905 100



## 1 Elementos de mando

### 1 Gain (Ganancia)

Por medio del regulador Gain se adapta la sensibilidad de la entrada en el nivel de entrada.

#### Adaptación del volumen con el regulador de ganancia

Adapte por medio del regulador Gain el nivel de la parte superior al (a los) subwoofer(s) para las señales de línea entrantes. Un subwoofer de la clase de potencia L SUB 4000 A debe funcionar con la caja de altavoces LINEAR 5 LTS A, como mínimo en la proporción 2:1 y con ello con una posición Gain a 0 dB (clic central).

### 2 Input

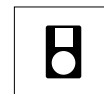
Conector hembra de entrada XLR/jack combinado, simetrizado electrónicamente, para la señal de música.

### 3 Thru

Salida paralela pasiva para transmitir la señal alimentada en la toma de entrada.

### 4 Mid/High Preset

Con este selector se especifica el filtrado preajustado apropiado para los modos de funcionamiento de LINEAR 5 LTS A siguientes:



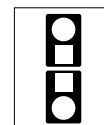
#### Single:

Este preajuste debe seleccionarse para usar una caja de altavoces (por lado estéreo).



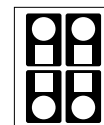
#### Cluster:

El preajuste Cluster optimiza el filtrado clusterizado con el uso de dos cajas de altavoces (adyacentes) por lado estéreo, para ampliar el ángulo de emisión horizontal a 140° aprox.



#### Headstack:

El preajuste Headstack permite la ubicación de dos cajas de altavoces superpuestas. Mediante el acoplamiento acústicamente correcto del altavoz de agudos (transformador Multicell), así como el de medios a través de la prolongación de filas de altavoces se alcanza un importante aumento de SPL en 6 dB aprox. y con ello, un aumento del alcance.



#### Headstack Cluster:

Con el preajuste Headstack Cluster se combinan las ventajas de los modos de funcionamiento Clustering y Headstacking entre sí. Emisión más amplia con un mayor alcance.

### 5 Sensitivity

Con este interruptor se adaptan las sensibilidades de entrada en la entrada de la fuente de señal. Hay disponibles dos adaptaciones para la potencia / volumen máximo: „+4 dBu“ como estándar habitual del sector o „LS System“.

La posición „LS System“ garantiza en la posición central del regulador Gain (0 dB /clic central) una interacción perfectamente adaptada con otros componentes de la serie LINEAR.

## 6 EQ

El EQ conmutable ofrece dos tipos de filtrado básicos diferentes para adaptar a la señal de entrada. En la posición de interruptor „Flat“ se optimiza la respuesta de frecuencia a una reproducción de frecuencia lineal. „Contour“ designa un filtro adaptado acústicamente que adapta la gama de tonos medios más suave con una transparencia uniformemente alta.

## 7 LED estado

El LED de dos colores indica el estado de la parte superior LINEAR 5 LTS A (verde = encendido, rojo = límite/fallo). Si el LED se enciende rojo brevemente, indica el trabajo del limitador con picos de nivel.

¡ATENCIÓN! Si se enciende el LED de señal fijo rojo durante el funcionamiento, el sistema se sobrecarga. ¡Reduzca el nivel de entrada! Si no hay ninguna señal de entrada y el LED de estado está encendido fijo rojo, existe un fallo.

## 8 Power

Power indica el interruptor de encendido/apagado para el LINEAR 5 LTS A. En el estado conectado se enciende verde el LED de estado.

## 9 Mains

Conecte este conector hembra por medio de un cable para aparatos de bajo consumo (incluido en el volumen de suministro) con la caja tomacorriente de red.

Nota: El LINEAR 5 LTS A está equipado con tomas de entrada de red V-Lock con bloqueo. En combinación con un cable de conexión con bloqueo („Volex“ o mismo diseño, opcional), el cable de red puede bloquearse y, de este modo, asegurarse contra desconexión imprevista.

## 2 Conexiones y cableado

- El LINEAR 5 LTS A se concibió para la aplicación principal como unidad Mid/High, junto con subwoofers de la serie LINEAR SUB. Para ello, conecte el Line Out Mid/High del subwoofer por medio del cable XLR con la toma de entrada del LTS A.
- Para la sonorización de voz pura en funcionamiento sin subwoofer conecte la señal de línea procedente de la mesa de mezclas por medio de un cable de clavija/XLR simétrico en la toma de entrada.
- Para pasar en bucle la señal aplicada en la entrada utilice un cable XLR en la toma Thru.

## 3 Puesta en servicio

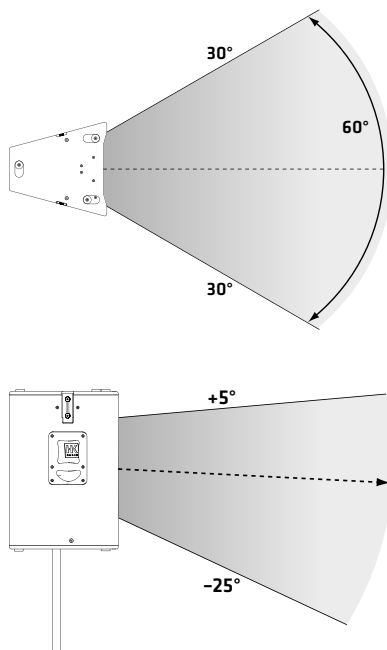
- Asegúrese de que el LINEAR 5 LTS A esté desconectado.
- ¡ATENCIÓN! Verifique que la indicación de tensión del LINEAR 5 LTS A corresponda a la tensión de red. La conexión a una tensión de red incorrecta puede destruir la electrónica de este altavoz activo.
- Al conectar una señal de línea compruebe que ya estén previamente en funcionamiento todos los componentes restantes conectados. Tanto la mesa de mezclas conectada como también todas las fuentes de señal conectadas a él, como teclados, amplificadores de instrumental, efectos, etc. deben estar conectados. El LINEAR 5 LTS A debe conectarse siempre el último, por lo tanto, después de todos los demás componentes, y desconectarse el primero, por lo tanto, antes que todos los dispositivos conectados.
- Después de encender con el interruptor Power se conecta brevemente el ventilador (autotest del sistema) y se detiene después de 5 segundos aprox.. Desde ese momento el ventilador se controla por medio de la electrónica de la caja. El ventilador solo funciona con potencias de volumen muy altas y se regula según la temperatura. Durante el autotest del sistema se enciende el LED de estado de color rojo. Cambia a verde cuando no hay ningún fallo y hay aplicada tensión de red.
- El ajuste estándar del regulador Gain está en la posición central (0 dB/clic central). Cuando se utiliza una mesa de mezclas para controlar el LINEAR 5 LTS A, debe darse preferencia a esa posición de nivel.
- Seguidamente, seleccione el modo de funcionamiento apropiado por medio del selector de preajuste Mid/High.
- Si se producen distorsiones o saturaciones, compruebe las fuentes de señal y reduzca allí la señal de salida, en la medida de lo posible.

## 4 Orientación

### Single

El ángulo de emisión del LINEAR 5 LTS A es  $+5^\circ/-25^\circ$  vertical y  $60^\circ$  horizontal. Orientando horizontalmente las cajas pueden minimizarse las reflexiones de las paredes. Girando la caja puede enfocarse adicionalmente la distribución del sonido hacia la audiencia.

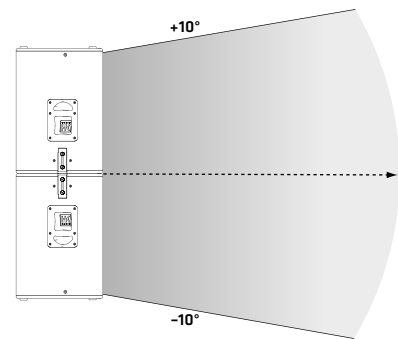
Cuando se utiliza el LINEAR 5 LTS A sobre trípodes para cajas o barras distanciadoras, no es necesario orientar angularmente la caja en el eje vertical. El difusor MCT predetermina un comportamiento de emisión vertical que parece la curvatura de una serie de componentes instalada correctamente. La energía acústica se concentra de este modo directamente en la superficie sonorizada.



distribución del sonido en una superficie mayor.

### Headstack

Condicionado por el comportamiento asimétrico de emisión del altavoz de agudos MCT, en el LINEAR 5 LTS A pueden usarse dos cajas correctamente acústicas como „Headstack vertical“. Para ello se gira  $180^\circ$  la segunda caja con su tapa colocada sobre la tapa de la primera caja (la caja superior está entonces „cabeza abajo“, las rejillas frontales de ambas cajas miran hacia delante). Mediante la disposición asimétrica de tres patas del dispositivo y los fresados correspondientes en las tapas de la caja, las dos cajas se encuentran superpuestas a prueba de torsión y desplazamiento. La carcasa se asegura contra separación vertical usando las dos chapas deslizantes de los lados derecho e izquierdo de las cajas.

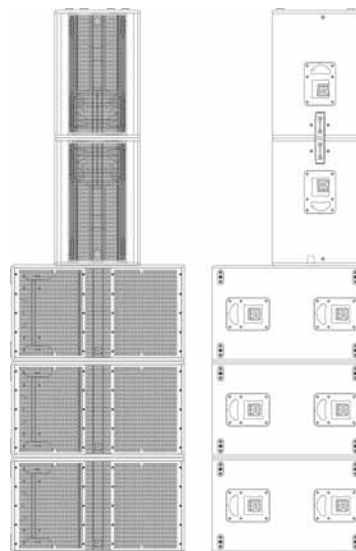


Si la caja de altavoces se dispone vertical (bafle acústico a  $90^\circ$  respecto a la superficie de instalación) se aplica lo siguiente:

- Aunque la brida de la caja está diseñada a  $0^\circ$ , el ángulo de emisión vertical es de  $+5^\circ/-25^\circ$ .
- El eje acústico central vertical es de  $-3^\circ$  aprox.
- Las reflexiones en el techo se reducen enormemente gracias a esta emisión asimétrica.
- Por ello, la altura de la caja de altavoces define el alcance. Como valor orientativo se aplica lo siguiente: Si el centro de la caja de altavoces se encuentra a una altura entre 2,50 m y 2,80 m, el eje central incide en los oídos de la audiencia a una altura de 1,70 m, desde una distancia de 15,50 m – 21 m.
- En proporción a la zona lejana, el nivel de HF se reduce para la cercana y con ello para la audiencia antes del PA. De este modo se obtiene una distribución muy homogénea del sonido (véase la ilustración inferior).
- En el funcionamiento apilado, los fresados del L SUB 4000 A sirven para la instalación fija del LINEAR 5 LTS A. Para ello también se aplican los valores orientativos anteriormente indicados.
- En la instalación suspendida, la orientación horizontal y vertical se realizan, preferentemente, por medio del estribo de inclinación opcional. La suspensión de la caja de altavoces permite un mayor alcance y la

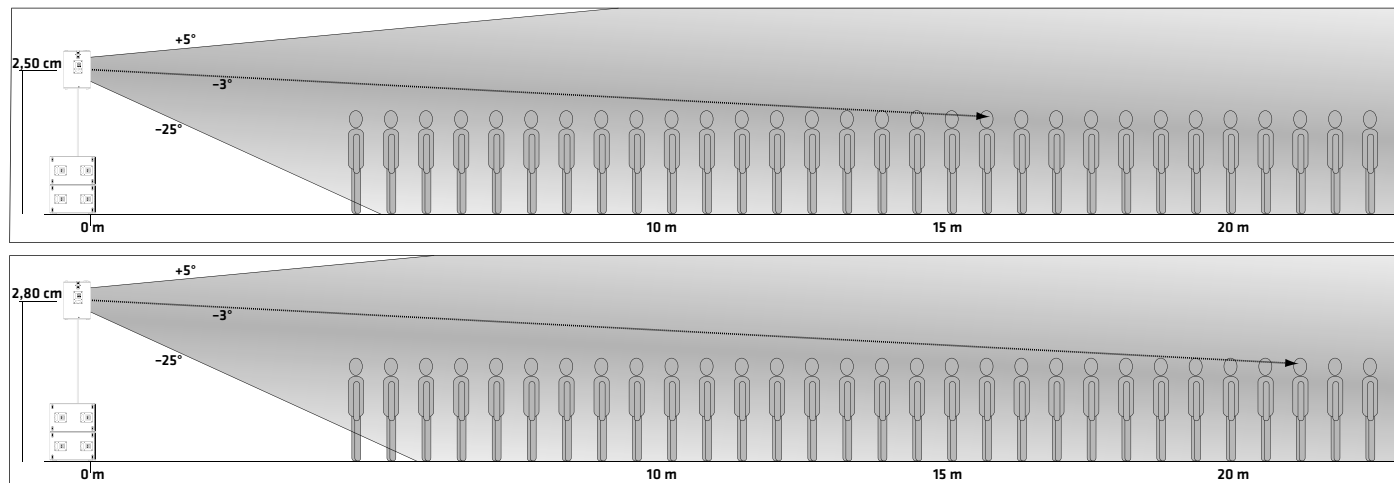
Recomendamos que se utilice la estructura siguiente del sistema para el funcionamiento apilado:

Si hay tres subwoofers L SUB 4000 A instalados superpuestos, el Headstack de dos L5 LTS A se coloca centrado en el subwoofer superior.



**¡ATENCIÓN! Garantice adicionalmente una protección contra volcado del Headstack, p. ej. usando un espárrago M20 - (diámetro 35 mm) con una longitud mínima de 50 mm. Atorníllelo en la rosca M20 del subwoofer y coloque encima la brida de la caja del LINEAR 5 LTS A inferior.**

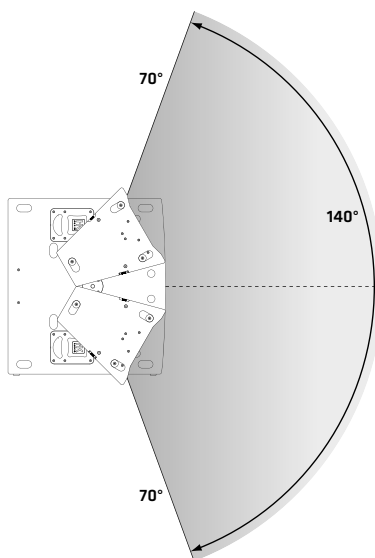
Además existe la posibilidad habitual en el sector de asegurar el Headstack con correas de trincar.



## Cluster / Headstack Cluster

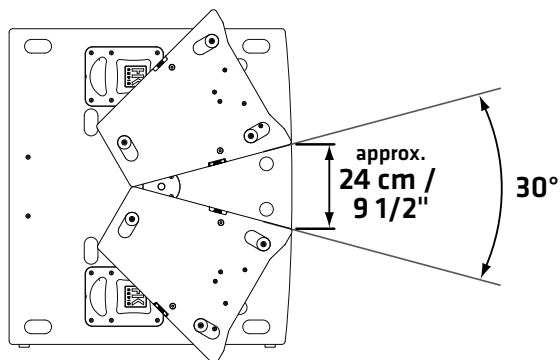
La instalación adyacente de dos LINEAR 5 LTS A en un cluster amplía el ángulo de emisión horizontal a 140° aprox. Para ello es necesario un ángulo de apertura del cluster de 30° (aprox. 20 cm ver la fig.). Esto es importante para minimizar las supresiones o sobreelevaciones en la respuesta de frecuencia (efectos de Phasing).

Para realizar esta aplicación en el funcionamiento suspendido, puede obtenerse opcionalmente un juego formado por Pick-Point y placa de Cluster. Esto ofrece dos puntos para la fijación de medios de sujeción (p. ej. cables de acero o eslingas redondas). Al mismo tiempo, evita una separación horizontal imprevista de las cajas y ofrece la ventaja de una unión rígida entre dos carcasas.



Recomendamos que se utilice la estructura siguiente del sistema para el funcionamiento apilado:

Con tres L SUB 4000 A instalados superpuestos, el cluster se coloca centrado sobre el subwoofer superior. Alinee el cluster según la superficie a sonorizar, teniendo en cuenta el ángulo de apertura de 30° horizontalmente. Se comporta del mismo modo para la aplicación del „Headstack Cluster“.



Para mayor seguridad existe la posibilidad de asegurar el cluster por medio de correas de trincar.

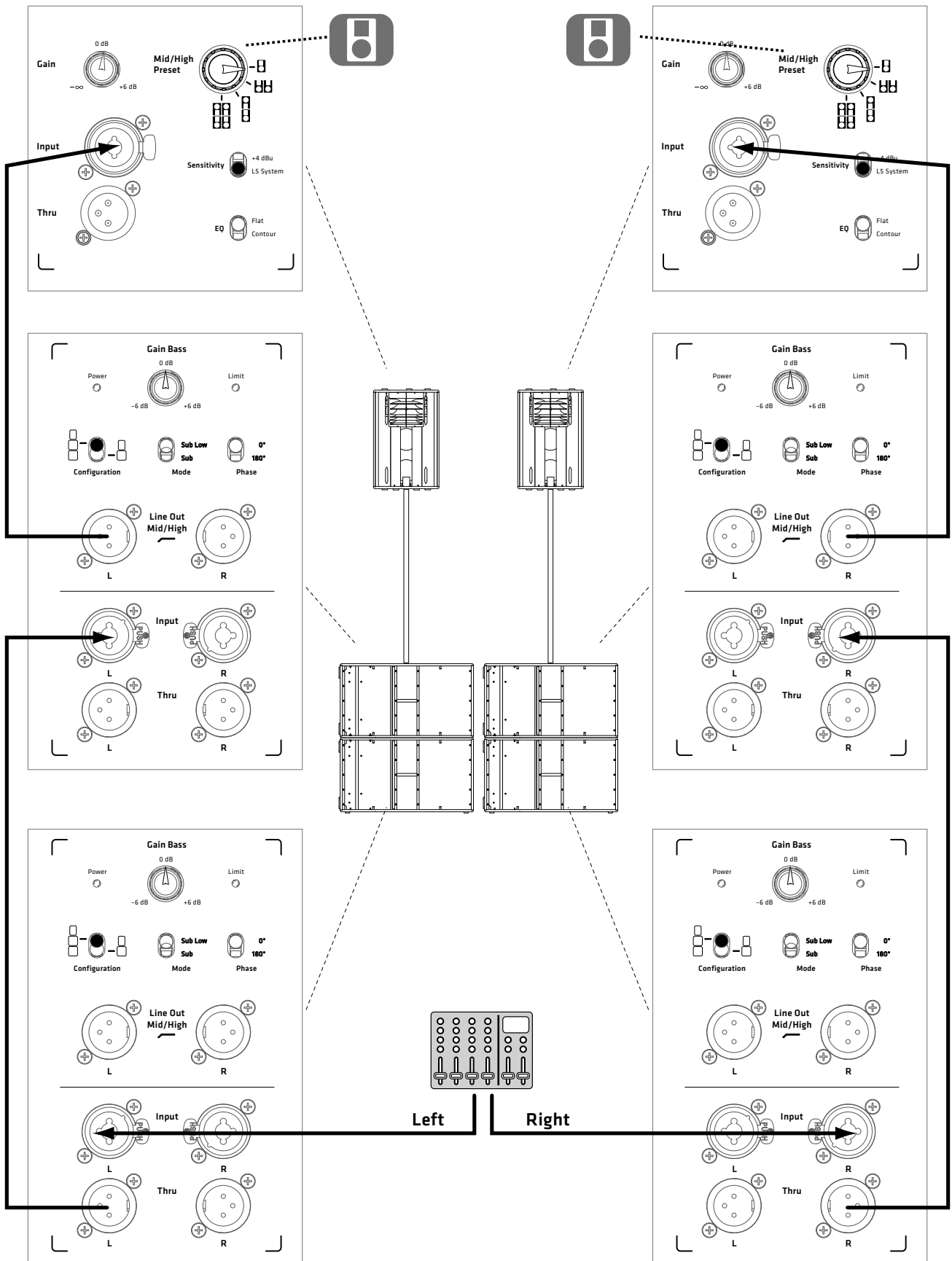
## 5 Datos técnicos

Modelo	LTS A
Respuesta de frecuencia +/- 3 dB	115 Hz - 14 kHz
Respuesta de frecuencia -10 dB	100 Hz - 20 kHz
Máx. SPL@10% THD	133 dB half space
Máx. SPL Peak@10% THD	138 dB half space
Máx. SPL Calc.	141 dB half space
Amplificador/Tipo	Class D Biamped
Potencia de salida del amplificador	1000 W
Amplificador Motor	350 W @ 4 Ohmios
Amplificador Woofer	650 W @ 4 Ohmios
Circuitos protectores del amplificador	Protección contra subtensión, termoprotección, protección contra cortocircuito, protección contra sobrecorriente
Circuitos protectores de altavoz	Subsónico 24 dB/oct., limitador de pico
Consumo de potencia	Consumo de corriente nominal de 3,3 A/230 V según EN60065
Sensibilidad de entrada	+4 dBu @ Gain clic central / Nivel del sistema L5
Conexiones de audio	Entrada combinada clavija/XLR, XLR-Thru
Conexión de red	1x Conexión para aparatos de bajo consumo con sistema de protección V-Lock
Altavoz de medios	3x 8" (16 Ohmios) con bobina oscilatoria de 1,5" (neodimio)
Altavoz de agudos	1x 1" (16 Ohmios) con bobina oscilatoria de 1,7"
Característica de motor	Difusor 60° x +5°/-25° MCT
Frecuencia de separación	1,7 kHz FIR X-Over con 24 dB/Oct.
Brida para soporte en altura	MonoTilt 0°
Puntos de suspensión	5x M8
Asas	2, integradas
Accesorios opcionales	Funda protectora, estribo de inclinación, extensión de estribo de inclinación, placa de clustering de Headstack, AP-8
Carcasa	Abedul-Multiplex 15/18 mm, 9/13x
Rejilla frontal	Rejilla metálica de 2 mm con espuma acústica
Superficie	Laca acrílica, negra
Dimensiones (AxAxP):	44 x 68 x 46,1 cm
	17-5/16 x 26-25/32 x 18-5/32"
Peso	24,9 kg / 54,9 lbs.

## 6 Aplicaciones

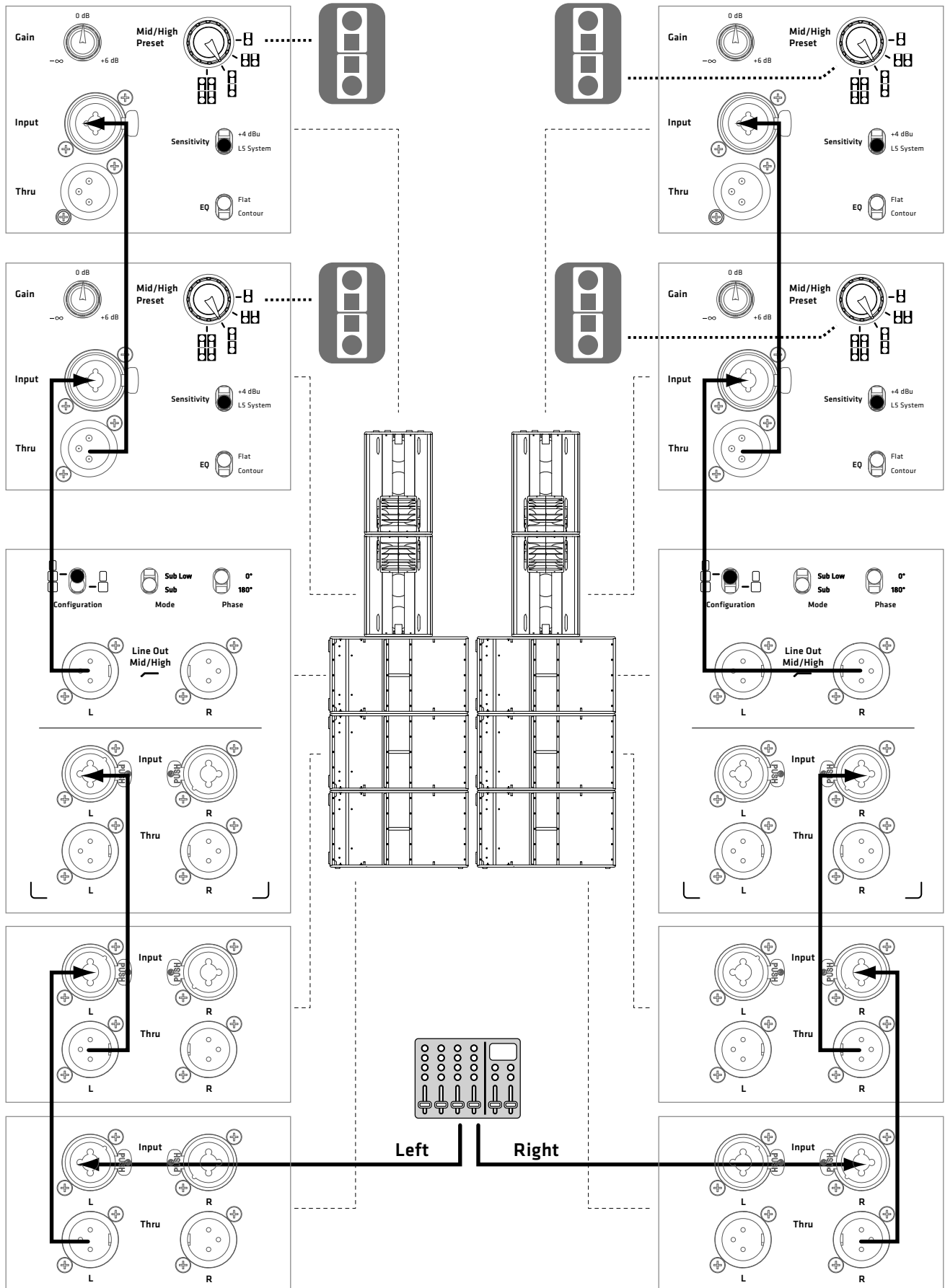
véase en el Anexo desde la página 32

LTS Fullstack System: 2x L5 LTS A  
+ 4x L SUB 4000 A





LTS Headstack System: 4x L5 LTS A  
+ 6x L SUB 4000 A



• Application Samples





# LINEAR 5

## LTS A



HK Audio® • Postfach 1509 • 66595 St. Wendel • Germany • [info@hkaudio.com](mailto:info@hkaudio.com) • [www.hkaudio.com](http://www.hkaudio.com)  
International Inquiries: fax +49-68 51-905 215 • [international@hkaudio.com](mailto:international@hkaudio.com)

Subject to change without notice • Technische Änderungen vorbehalten  
Copyright 2015 Music & Sales GmbH • 10/2015