

LINEAR 5 MKII

LINEAR 5 MKII 110 XA • **LINEAR 5** MKII 112 XA

LINEAR 5 MKII 112 FA • **LINEAR 5** MKII 115 XA

LINEAR 5 MKII 115 FA • **LINEAR 5** MKII 115 Sub A

LINEAR 5 MKII 118 Sub A

Manual 1.0

5

• Español

• Italiano

• Français

• Deutsch

• English

Important Safety Instructions! Read before connecting!

This product has been built by the manufacturer in accordance with IEC 62368-1 and left the factory in safe working order. To maintain this condition and ensure non-risk operation, the user must follow the advice and warning comments found in the operating instructions. If this product shall be used in vehicles, ships or aircraft or at altitudes exceeding 2000 m above sea level, take care of the relevant safety regulations which may exceed the IEC 62368-1 requirements.

WARNING: To prevent the risk of fire and shock hazard, do not expose this appliance to moisture or rain. Do not open case – no user serviceable parts inside. Refer service to qualified service personnel.



This symbol, wherever it appears, alerts you to the presence of uninsulated dangerous voltage inside the enclosure – voltage that may be sufficient to constitute a risk of shock.



This symbol, wherever it appears, alerts you to the presence of externally accessible hazardous voltage. External wiring connected to any terminal marked with this symbol must be a "ready made cable" complying with the manufacturers recommendations, or must be a wiring installed by instructed persons only.



This symbol, wherever it appears, alerts you to important operating and maintenance instructions in the accompanying literature. Read the manual.



This symbol, wherever it appears, tells you: Take care! Hot surface! To prevent burns you must not touch.



All electrical and electronic products including batteries should be disposed of separately from the municipal waste stream via designated collection facilities appointed by the government or the local authorities.



Read these instructions. Keep these instructions. Follow all warnings and instructions marked on the product and in this manual.

- Do not use this product near water. Do not place the product near water, baths, wash basins, kitchen sinks, wet areas, swimming pools or damp rooms.
- Do not place objects containing liquid on the product – vases, glasses, bottles etc.
- Clean only with dry cloth.
- Do not remove any covers or sections of the housing.
- The set operating voltage of the product must match the local mains supply voltage. If you are not sure of the type of power available consult your dealer or local power company.
- Before connecting the device, please ensure that the mains supply you are using is equipped with adequate protection against short circuiting and grounding faults when the device is plugged in.
- To reduce the risk of electrical shock, the grounding of this product must be maintained. Use only the power supply cord provided with this product, and maintain the function of the center (grounding) pin of the mains connection at any time. Make sure the mains outlet used provides a proper protective ground connection.
- Do not defeat the safety purpose of the polarized or grounding-type plug. A polarized plug has two blades with one wider than the other. A grounding type plug has two blades and a third grounding prong. The wide blade or the third prong are provided for your safety. If the provided plug does not fit into your outlet, consult an electrician for replacement of the obsolete outlet.
- Protect the power cord from being walked on or pinched particularly at plugs, convenience receptacles, and the point where they exit from the device! Power supply cords should always be handled carefully. Periodically check cords for cuts or sign of stress, especially at the plug and the point where the cord exits the device.
- Never use a damaged power cord.
- Unplug this product during lightning storms or when unused for long periods of time.
- This product can be fully disconnected from mains only by pulling the mains plug at the unit or the wall socket. The product must be placed in such a way at any time, that disconnecting from mains is easily possible.

- Fuses are to be replaced exclusively by qualified personnel, and then only with fuses of the proper type and rating.
- Refer all servicing to qualified service personnel. Servicing is required when the unit has been damaged in any way, such as:
 - When the power cord or plug is damaged or frayed.
 - If liquid has been spilled or objects have fallen into the product.
 - If the product has been exposed to rain or moisture.
 - If the product does not operate normally when the operating instructions are followed.
 - If the product has been dropped or the cabinet has been damaged.
- Do not connect external speakers to this product with an impedance lower than the rated impedance given on the product or in this manual. Use only cables with sufficient cross section according to the local safety regulations.
- An ambient temperature of 35° C should not be exceeded.
- Keep away from direct sunlight.
- Do not install near heat sources such as radiators, heat registers, stoves or other devices that produce heat.
- This apparatus is for moderate climates areas use, not suitable for use in tropical climates countries.
- Do not block any ventilation openings. Install in accordance with manufacturer's instructions. This product must not be placed in a built-in installation such as a rack unless proper ventilation is provided.
- Always allow a cold device to warm up to ambient temperature, when being moved into a room. Condensation can form inside it and damage the product, when being used without warming up.
- Do not place naked flame sources, such as lighted candles on the product.
- The device must be positioned at least 20 cm/8" away from walls.
- Use only with the cart, stand, tripod, bracket or table specified by the manufacturer or sold with the product. When a cart is used, use caution when moving the cart/product combination to avoid injury from tip-over.
- Use only accessories recommended by the manufacturer, this applies for all kind of accessories, for example protective covers, transport bags, stands, wall or ceiling mounting equipment. In case of attaching any kind of accessories to the product, always follow the instructions for use, provided by the manufacturer. Never use fixing points on the product other than specified by the manufacturer.
- This appliance is NOT suitable to be used by any person or persons (including children) with limited physical, sensorial or mental ability, or by persons with insufficient experience and/or knowledge to operate such an appliance. Children under 4 years of age must be kept away from this appliance at all times.
- Never push objects of any kind into this product through cabinet slots as they may touch dangerous voltage points or short out parts that could result in risk of fire or electric shock.
- This product is capable of delivering sound pressure levels in excess of 90 dB, which may cause permanent hearing damage! Exposure to extremely high noise levels may cause a permanent hearing loss. Wear hearing protection if continuously exposed to such high levels.
- The manufacturer only guarantees the safety, reliability and efficiency of this product if:
 - Assembly, extension, re-adjustment, modifications or repairs are carried out by the manufacturer or by persons authorized to do so.
 - The electrical installation of the relevant area complies with the requirements of IEC (ANSI) specifications.
 - The unit is used in accordance with the operating instructions.
- This product is optimized for use with music and speech signals. Using this product with sine wave, square wave or other kind of measuring signals at higher level may lead to severe damage of the product.

General Notes on Safety for Loudspeaker Systems



Mounting systems may only be used for those loudspeaker systems authorized by the manufacturer and only with the mounting accessories specified by the manufacturer in the installation instructions. Read and heed the manufacturer's installation instructions. The indicated load-bearing capacity cannot be guaranteed and the manufacturer will not be liable for damages in the event of improper installation or the use of unauthorized mounting accessories. The system's load-bearing capacity cannot be guaranteed and the manufacturer will not be liable for damages in the event that loudspeakers, mounting accessories, and connecting and attaching components are modified in any way. Components affecting safety may only be repaired by the manufacturer or authorized agents, otherwise the operating permit will be voided.



Installation may be performed qualified personnel only, and then only at pick-points with sufficient load-carrying capacity and in compliance with local building regulations. Use only the mounting hardware specified by the manufacturer in the installation instructions (screws, anchors, etc.). Take all the precautions necessary to ensure bolted connections and other threaded locking devices will not loosen.



Fixed and portable installations (in this case, speakers and mounting accessories) must be secured by two independent safeties to prevent them from falling. Safeties must be able to catch accessories or parts that are loose or may become loose. Ensure compliance with the given national regulations when using connecting, attaching, and rigging devices. Factor potential dynamic forces (jerk) into the equation when determining the proper size and load-bearing capacity of safeties.



Be sure to observe speaker stands' maximum load-bearing capacity. Note that for reasons of design and construction, most speaker stands are approved to bear centric loads only; that is, the speakers' mass has to be precisely centered and balanced. Ensure speaker stands are set up stably and securely. Take appropriate added measures to secure speaker stands, for example when:

- the floor or ground surface does not provide a stable, secure base.
- they are extended to heights that impede stability.
- high wind pressure may be expected.
- there is the risk that they may be knocked over by people.

Special measures may become necessary as precautions against unsafe audience behavior. Do not set up speaker stands in evacuation routes and emergency exits. Ensure corridors are wide enough and put proper barriers and markings in place when setting speaker stands up in passageways. Mounting and dismounting are especially hazardous tasks. Use aids suitable for this purpose. Observe the given national regulations when doing so.



Wear proper protection (in particular, a helmet, gloves, and safety shoes) and use only suitable means of ascent (ladders, scaffolds, etc.) during installation. Compliance with this requirement is the sole responsibility of the company performing the installation.



WARNING! After installation, inspect the system comprised of the mounting fixtures and loudspeakers to ensure it is properly secured.

The operator of loudspeaker systems (fixed or portable) must regularly inspect or task a third party to regularly inspect all system components in accordance with the given country's regulations and have possible defects repaired immediately.

We also strongly recommend maintaining a logbook or the like to document all inspections.

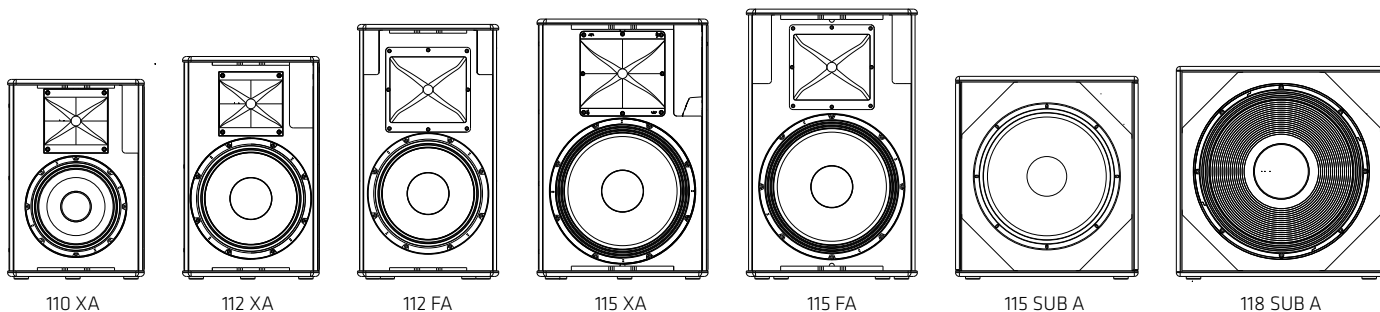
Also be sure to provide sufficient safety margins for the rigging points used for flown systems. Observe the given national regulations when doing so.



Professional loudspeaker systems can produce harmful volume levels. Even prolonged exposure to seemingly harmless levels (starting at about 95 dBA SPL) can cause permanent hearing damage! Therefore we recommend that everyone who is exposed to high volume levels produced by loudspeaker systems wears professional hearing protection (earplugs or earmuffs).

Manufacturer: Stamer Musikanlagen GmbH, Magdeburger Str. 8, 66606 St. Wendel, Germany

LINEAR 5 MK II



Welcome to the HK Audio family!

Thank you for choosing a brand-name product made by our company. Rest assured, we engineered and built it with the greatest care so it will serve you well for many tomorrows to come.



Even if your experience with sound systems runs deep, some things about this product are sure to be new to you. This is why we ask that you do not set this manual aside without reading it first. Be sure to keep it in a safe place for later reference.

Here's wishing you the best sound at every occasion!

Your HK Audio team



Strong electromagnetic interference or electrostatic discharge may prevent the product from functioning normally. If this happens, the product may be returned to normal operation by powering off and on again. Should this not result in the product functioning normally again, please move the product away from the source of disturbance and try again.

Warranty

Use the convenient online registration option at www.hkaudio.com.



<http://warranty.hkaudio.com>

The registration is only valid if the device is registered within 30 days of the date of purchase.

HK Audio

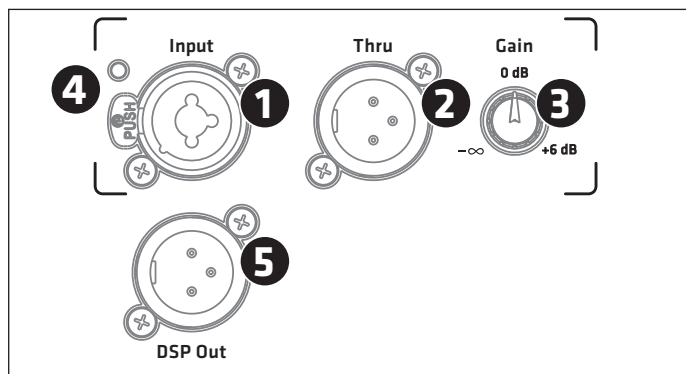
Technischer Service
 Postfach 1509
 66595 St. Wendel, Germany
 Fax: +49 6851 905 100

1 General Information

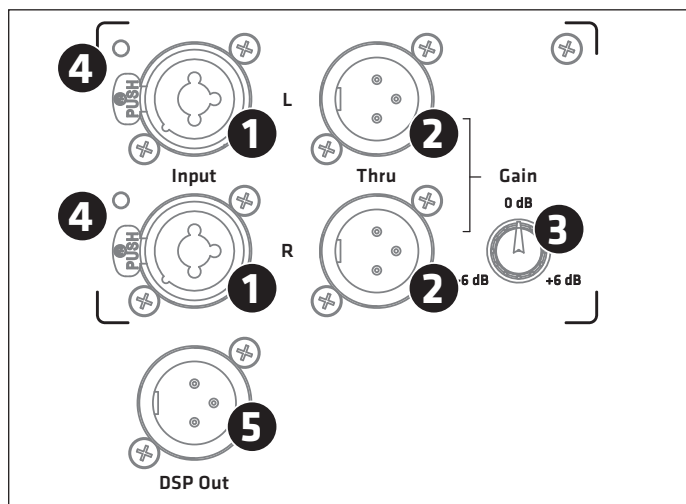
Items delivered

When you first unpack your LINEAR 5 MK II speaker cabinet, please check that it comes complete with the Quick Start Guide and a mains cable.

2 Connections and controls



LINEAR 5 MKII XA/FA models



LINEAR 5 MKII Sub A models

1 Input

XLR/jack combo socket, balanced input for analogue signals.

- The LINEAR 5 MK II XA/FA models have one input channel.
- The LINEAR 5 MK II 115 Sub A and LINEAR 5 MK II 118 Sub A subwoofers have two separate inputs for the left and right signals. The two channels are equal and summed post-preamp, so you can use either one in mono mode.

2 Thru

Use this parallel, balanced XLR output to send the signal routed into the Input through to other components. This output remains active even when the electronic components are deactivated. The subwoofer has two of these ports.

3 Gain

Use this knob to adjust the input gain for the incoming signal.

- The control range for the XA/FA models goes from $-\infty$ (mute) to +6 dB.
- This knob adjusts the gain for both of the subwoofer's stereo preamp channels in a range of -6 to +6 dB.

The centre-notched 12 o'clock position is 0 dB in both cases.

Note: The Gain setting does not affect the signal sent to the DSP Out.

4 Input/Limiter LED

This LED lights up green to indicate incoming signals. When it is red, either the limiter is active or the input is clipping. The LED briefly flashes red to tell you the Limiter is responding to signal peaks. If it stays red, turn down the Gain knob.

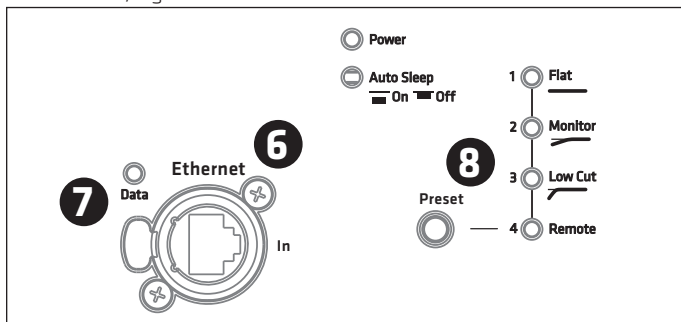
5 DSP Out

Use this XLR port to forward the analogue signal routed into the Input jack or to forward a digital audio signal fed in via a network. The onboard DSP can process both types of signals.

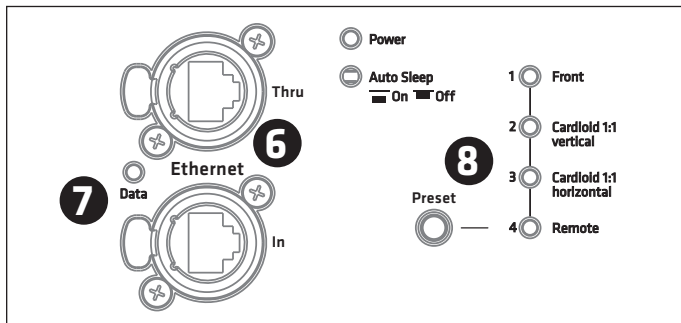
This means the DSP Out can serve as a network interface that lets you integrate an added powered speaker that is not originally network-compatible.

In the factory default configuration, the unprocessed input signal goes straight to DSP Out, regardless of the selected preset and the Gain knob setting.

Ethernet mid/high units



Ethernet subwoofers



6 Ethernet In /Thru

Use the etherCON port to integrate the speaker into a network. It accepts RJ45 and etherCON (NE8 MX, NE8 MX6, NE8 MC) plugs. The mid/high units each have an Ethernet In, and the subwoofers also have an Ethernet Thru. Use the Ethernet Thru port to forward the network signal.

Always use S/STP or S/FTP cables to shield against electromagnetic interference. We recommend CAT6 cables. A separate manual explains the finer points of network integration and remote control functions. You will find it on the LINEAR 5 MK II download page at www.hkaudio.com. For a brief description of the DSP functions, see section 8 Preset.

7 Data

This LED lights up orange when data is being transferred via the network socket.

8 Preset

Use the Preset selection button to call up factory presets or a user preset you can configure via the remote DSP CONTROL software. Tap the select button once to scroll through Presets 1 through 4.

A separate manual explains how to program the four remote user presets. You will find it on the LINEAR 5 MK II download page at www.hkaudio.com.

Preset overview:

	LINEAR 5 MK II 110 XA, 112 XA, 115 XA	LINEAR 5 MK II 112 FA, 115 FA	LINEAR 5 MK II 115 Sub A, 118 Sub A
1	Flat	Flat	Front
2	Monitor	Boost	Cardioid 1:1 vertical
3	Low Cut	Low Cut	Cardioid 1:1 horizontal
4	Remote (to access stored settings via the remote HK Audio DSP CONTROL software)		

The LINEAR 5 MK II XA/FA models' factory presets:

Flat	Delivers linear response across the full frequency range
Monitor	Optimised to dampen the extra bass generated by floor coupling when you set a speaker on its side for use as a monitor
Boost	Enhances low-frequency response when used as a standalone speaker without a subwoofer.
Low Cut	A high-pass filter optimises the unit for use as a mid/high unit paired with the LINEAR 5 MK II 115 Sub A or 118 Sub A

The LINEAR 5 MK II 115 Sub A and 118 Sub A's factory presets

Front	Standard operating mode for a forward-facing subwoofer
Cardioid 1:1 vertical	For cardioid setups with two stacked subwoofers with one forward-facing LINEAR 5 MK II subwoofer. (see section 4.2 for more on this)
Cardioid 1:1 horizontal	For cardioid setups with two side-by-side subwoofers with one forward-facing LINEAR 5 MK II subwoofer (see section 4.2 for more on this)

Factory presets 1 to 3 address the speaker only and not the DSP Out.

Note: If you are operating the speaker in a network connected to the remote DSP CONTROL software, you can configure the DSP Out independently even when using factory presets 1 to 3. To learn more about this, consult the separate DSP CONTROL manual. You will find it on the LINEAR 5 MK II download page at www.hkaudio.com.

The Remote Preset

Remote	This lets you call up a user preset that you previously stored via DSP CONTROL for the speaker as well as for the DSP Out. The speaker does not need to be connected to the remote software to do this.
---------------	---

The remote preset's default setup is identical to factory preset 1 (Flat/ Front).

You can access the following DSP functions via the remote DSP CONTROL software and save your settings in user presets:

Fully parametric 10-band EQ with variable filter characteristics for each frequency band, high-pass and low-pass filters with variable filter characteristics, Limiter, Delay, Polarity, Level, and Mute.

You can configure these parameters separately and independently for the speaker and its DSP Out.



Screenshot of the remote DSP CONTROL software. You can download this software free of charge from the LINEAR 5 download page at www.hkaudio.com. The speaker and DSP Out parameters are identical, but the double DSP power lets you configure each set independently.

9 Power

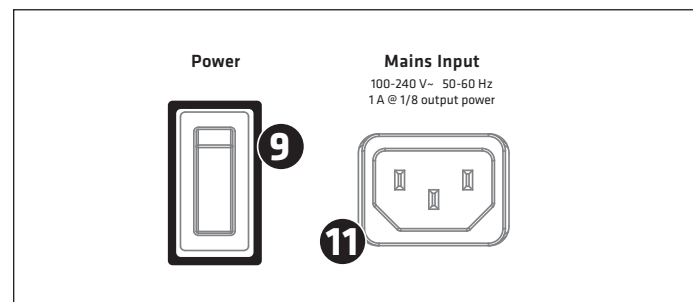
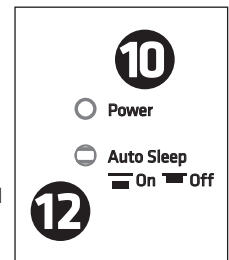
This rocker switch turns the power on and off. Set it to Power to turn the electronic components on and to Off to disconnect them from the mains power supply.

10 Power LED

As soon as the electronic components are supplied with voltage, this LED lights up green.

11 Mains Input

The mains connection is designed as a lockable IEC 14 socket. In combination with the supplied lockable connection cable, the mains cable is locked and secured against accidental slipping out.



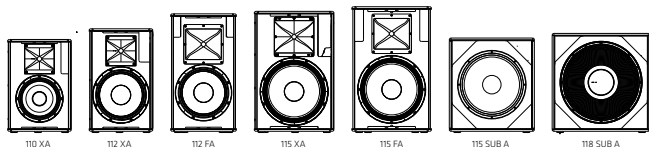
12 Auto Sleep

Use this recessed button to switch energy-saving Auto Sleep mode on and off. Your speaker leaves the factory with the Auto Sleep button pressed to enable this mode. This function puts the electronic components into Auto Sleep mode when four and a half hours pass without the speaker registering an audio signal, data sent to the network ports, or operation of a button or knob on the electronics. The only way to wake it up is by switching the Power button off and on again or patching an analogue audio signal into the Input.

Heads Up: You cannot wake up the speaker via the network ports.

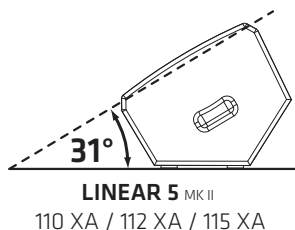
The only way to disable the Auto Sleep function is to press the recessed switch (not pressed).

3 Overview of the various models 110 XA, 112 XA, 112 FA, 115 XA, 115 FA, 115 Sub A, 118 Sub A



The LINEAR 5 series consists of five mid/high units speakers and two subwoofers:

LINEAR 5 MK II 110 XA, LINEAR 5 MK II 112 XA, LINEAR 5 MK II 112 FA, LINEAR 5 MK II 115 XA, LINEAR 5 MK II 115 FA, LINEAR 5 MK II 115 Sub A and LINEAR 5 MK II 118 Sub A. The housings of the multifunctional LINEAR 5 MK II 110 XA, LINEAR 5 MK II 112 XA and LINEAR 5 MK II 115 XA models are angled 31° so you can also set them sideways for stage monitors. The larger housings of the LINEAR 5 MK II 112 FA and LINEAR 5 MK II 115 FA fullrange models deliver more low-frequency sound pressure.



The LINEAR 5 MK II 110 XA and 112 XA speakers are equipped with an 80° x 60° wide dispersion horn for homogeneous near-field dispersion. The LINEAR 5 MK II 115 XA has a horn with a medium 70°x50° throw pattern. The LINEAR 5 MK II 112 FA and 115 FA come with a horn with a narrower 60°x40° long-throw pattern.

You need tools to rotate the horns, so they are not conducive to frequent adjustment. The idea is to optimize the throw pattern for the cabinet's primary application.

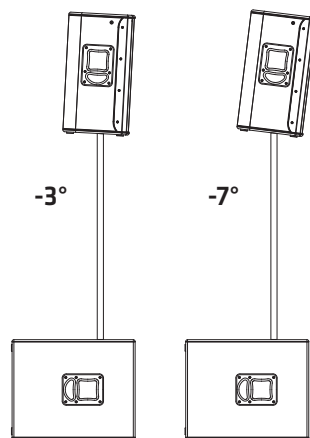
Good to know: You do not have to rotate the horn when setting the cabinet on its side for use as a stage monitor. In fact, the upright speaker's narrower vertical throw pattern works great in the horizontal position. This minimises overlap with adjacent monitors and reduces the feedback risk because you can focus the speaker more accurately.

4 Setting Up Speakers

4.1 The XA/FA Models

LINEAR 5 MK II mid/high units may be stacked on subwoofers, mounted on speaker stands or poles, installed with wall brackets, or flown with the proper rigging hardware.

Setting Up with the DuoTilt 3/7



All mid/high units feature the HK Audio DuoTilt 3/7, a special mount for 35 mm speaker stands and poles offering two angles, -3° and -7°, to provide better coverage. The DuoTilt 3/7 is sited closer to the baffle to maintain the optimum centre of gravity when the speaker is on a stand.

General Information about Setting Up with Speaker Stands

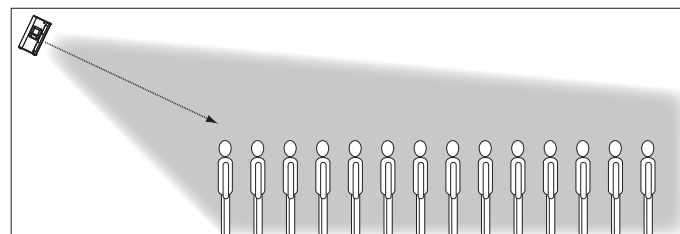
Note! Always make sure the speaker stand is on solid footing and be sure to observe the manufacturer's instructions as to its maximum load-bearing capacity.



Take care!

- Use only speaker stands that are stable enough to prevent accidental tipping. Ensure the speaker stand is designed to handle the cabinet's weight. The highest setting on adjustable stands must be limited to prevent the combination of speaker stand and speaker from tipping. This applies when setting up the stand on a flat, horizontal surface.
- When setting up on an uneven or sloping surface, make sure the speaker stand's base is secured to prevent accidental tipping, either by attaching suitable weights to the base or taking other measures to secure the stand.
- The use of any other fixtures or fittings can result in instability that may cause injury.

Rigging:



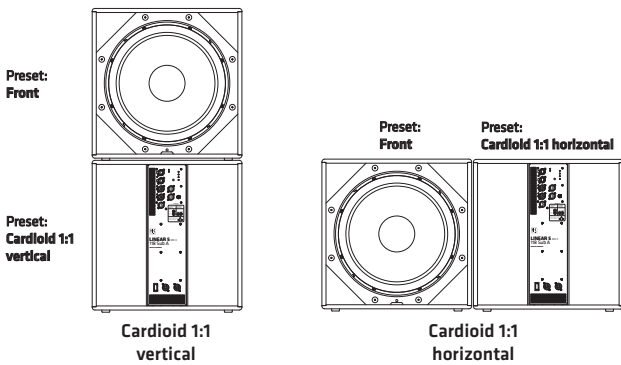
The XA and FA models can be flown by installing the AP-8 attachment and steel cables or chains to their rigging points. The 112 FA, 115 FA and 115 XA models additionally provide for rigging operation in combination with the installation of the HK Audio TB-45N and TB-45NQ tilt brackets (Q-model removable with quick-release pins).

4.2 LINEAR 5 MK II 115 Sub A and 118 Sub A

Deploy the LINEAR 5 MK II subwoofer as you would any other direct radiating subwoofer. It can be used either stacked or side by side in Cardioid mode, maintaining a distance of at least one metre from walls.

You have two Cardioid setups to choose from: Cardioid 1:1 vertical and

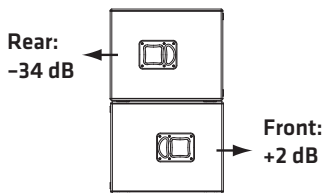
Cardioid 1:1 horizontal. The diagrams below show the front view from the audience's perspective.



Select the proper preset for the given setup on the rear panel of the LINEAR 5 MK II subwoofer. See section 2, **8** Preset for more on this.

Preset Settings	
Cardioid 1:1 vertical	Cardioid 1:1 horizontal
Front Cardioid 1:1 vertical	Front Cardioid 1:1 horizontal

Both setups attenuate the rearward sound pressure level by up to 34 dB, and boost the forward SPL around 2 dB.

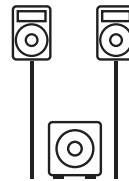


When does a Cardioid setup make sense?

While medium and high frequencies can be radiated in directional patterns, low frequencies are spherical. This often leads to an unpleasant excess of low bass on and behind the stage. Organisers are also increasingly setting precise demands for sound distribution, for example in marquees in city centres. The most effective way to achieve this in the bass range is with Cardioid technology (cancelling out the frequencies radiated to the rear). Both LINEAR 5 MK II subwoofers therefore meet all the requirements for quickly and easily implementing effective Cardioid setups, both mechanically and with the available filter sets.

5 Example systems

5.1 Setting Up a 2.1 Stereo System



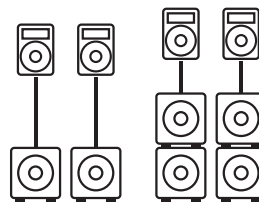
Thanks to the LINEAR 5 MK II subwoofer's onboard stereo preamps, you can easily set up a 2.1 system, routing both the left and right channels into a LINEAR 5 MK II subwoofer and then forwarding their signals to the mid/high units via its Thru ports. The LINEAR 5 MK II 110 XA's wide throw patterns are perfect for this application.

Presets:

Mid-high units	Low Cut
LINEAR 5 MK II subwoofer	Front

For to ensure the most balanced image possible, centre the subwoofer between the two mid/high units.

5.2 Setting up Speakers on Poles



If you wish to place mid/high units on speaker poles rather than stands, simply screw a pole with an M20 thread into the M20 pole mount on the LINEAR 5 MK II subwoofer.

Presets:

Mid-high units	Low Cut
LINEAR 5 MK II subwoofer	Front

5.3 Stacking Speakers



Placing three LINEAR 5 MK II subwoofers on top of one another creates a 1.65 m stack. You may place the mid/high units directly on the bass bins.

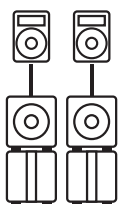
Presets:

Mid-high units	Low Cut
LINEAR 5 MK II subwoofer	Front



Note: Setup as a stack should only be carried out by qualified personnel and with appropriate standards such as securing with lashing straps on flat surfaces.

5.4 Configuring a 1:1 Vertical Cardioid Setup

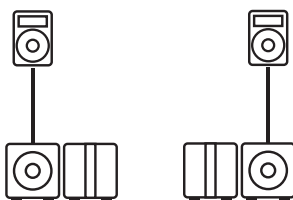


Cardioid system with a speaker pole. The bottom subwoofers are directed to the rear.

Presets:

Mid-high units	Low Cut
LINEAR 5 MK II subwoofer	Front
LINEAR 5 MK II subwoofer	Cardioid 1:1 vertical

5.5 Configuring a 1:1 Horizontal Cardioid Setup



Cardioid system with side-by-side basses. One subwoofer is directed towards the rear.

Presets:

Mid-high units	Low Cut
LINEAR 5 MK II subwoofer	Front
LINEAR 5 MK II subwoofer	Cardioid 1:1 horizontal

You will find several detailed setup and wiring examples for your LINEAR 5 MK II system starting on page 42.

6 Optional HK Audio Accessories

HK Audio offers Weather Protective Covers for all LINEAR 5 MK II models. They also serve to protect the speakers in transit and splash-proof them during operation. Visit the LINEAR 5 MK II product pages at www.hkaudio.com to learn more.

7 Technical Specifications

Model	LINEAR 5 MK II 110 XA	LINEAR 5 MK II 112 XA
Max. SPL @ 10 % THD	127 dB half space (70 Hz – 12 kHz averaged)	128 dB half space (70 Hz – 12 kHz averaged)
Max. SPL Peak @ 10 % THD	135 dB half space	136 dB half space
Frequency response +/-3 dB	74 Hz – 12 kHz	73 Hz – 12 kHz
Frequency response -10 dB	68 Hz – 19 kHz	67 Hz – 19 kHz
Power amp output (RMS/Peak)	600 / 1,200 W	600 / 1,200 W
Amplifier type	Class D – bi-amped	Class D – bi-amped
Woofers	-	-
Low/mid speaker	1 x 10", 2" voice coil	1 x 12", 2.5" voice coil
HF driver	1", 1.4" voice coil	1", 1.7" voice coil
Horn characteristics	80° x 60° CD horn, rotatable	80° x 60° CD horn, rotatable
Active x-over frequency	2.1 kHz FIR X-over with 72 dB/oct.	1.9 kHz FIR X-over with 72 dB/oct.
Maximum input level	20 dBu	20 dBu
Analogue inputs	1 x XLR combo balanced	1 x XLR combo balanced
Analogue Thru	1 x XLR balanced	1 x XLR balanced
DSP Out	1 x XLR balanced	1 x XLR balanced
Network port	EtherCON RJ45, 1 x In	EtherCON RJ45, 1 x In
Filter presets	Flat, Monitor, Low Cut, Remote	Flat, Monitor, Low Cut, Remote
Remote software	DSP CONTROL (Windows, Mac OS)	DSP CONTROL (Windows, Mac OS)
DSP functions	Fully parametric 10-band EQ with variable filter characteristics, High-Pass Filter, Low-Pass Filter, Polarity, Level, Delay, Limiter, Mute	Fully parametric 10-band EQ with variable filter characteristics, High-Pass Filter, Low-Pass Filter, Polarity, Level, Delay, Limiter, Mute
Sample rate	48 kHz	48 kHz
System latency	Less than 2 ms	Less than 2 ms
Mains connection	1x IEC connector with V-Lock securing system, 100-240 V	1x IEC connector with V-Lock securing system, 100-240 V
Power consumption	1 A / 100-240 V nominal according to EN 62368-1	1 A / 100-240 V nominal according to EN 62368-1
Setup angle	31°	31°
Pole mount	DuoTilt 3°/7°	DuoTilt 3°/7°
Rigging points	3x M8 (AP-8)	3x M8 (AP-8)
Carrying handles	1 x SingleGrip	2 x SingleGrip
Housing	Hybrid (birch multiplex/MDF)	Hybrid (birch multiplex/MDF)
Surface	Black acrylic enamel	Black acrylic enamel
Front grille	2 mm metal grille backed with black acoustic foam	2 mm metal grille backed with black acoustic foam
Dimensions (WxHxD)	36 x 52.5 x 30 cm 14-1/16 x 20-43/64 x 11-13/16"	36 x 59 x 30.5 cm 14-1/16 x 23-15/64 x 12-1/32"
Weight	14.9 kg / 32.85 lbs	17.6 kg / 38.80 lbs

LINEAR 5 MK II 112 FA	LINEAR 5 MK II 115 XA	LINEAR 5 MK II 115 FA	LINEAR 5 MK II 115 Sub A	LINEAR 5 MK II 118 Sub A
128 dB half space (70 Hz – 12 kHz averaged)	130 dB half space (70 Hz – 12 kHz averaged)	130 dB half space (70 Hz – 12 kHz averaged)	127 dB half space (42 Hz – 100 Hz averaged)	129 dB half space (42 Hz – 100 Hz averaged)
135 dB half space	138 dB half space	138 dB half space	130 dB half space	131 dB half space
70 Hz – 12 kHz	64 Hz – 12 kHz	57 Hz – 12 kHz	44 Hz – X-over	42 Hz – X-over
55 Hz – 19 kHz	59 Hz – 19 kHz	54 Hz – 19 kHz	40 Hz – X-over	38 Hz – X-over
600 / 1,200 W	600 / 1,200 W	600 / 1,200 W	600 / 1,200 W	1,000 / 2,000 W
Class D – bi-amped	Class D – bi-amped	Class D – bi-amped	Class D	Class D
-	-	-	1 x 15", 3" voice coil	1 x 18", 4" voice coil
1 x 12", 2.5" voice coil	1 x 15", 3" voice coil	1 x 15", 3" voice coil	-	-
1", 1.7" voice coil	1", 1.7" voice coil	1", 1.7" voice coil	-	-
60° x 40° CD horn, rotatable	70° x 50° CD horn, rotatable	60° x 40° CD horn, rotatable	-	-
1.6 kHz FIR X-over with 72 dB/oct.	1.6 kHz FIR X-over with 72 dB/oct.	1.6 kHz FIR X-over with 72 dB/oct.	-	-
20 dBu	20 dBu	20 dBu	20 dBu	20 dBu
1 x XLR combo balanced	1 x XLR combo balanced	1 x XLR combo balanced	2 x XLR combo balanced	2 x XLR combo balanced
1 x XLR balanced	1 x XLR balanced	1 x XLR balanced	2 x XLR balanced	2 x XLR balanced
1 x XLR balanced	1 x XLR balanced	1 x XLR balanced	1 x XLR balanced	1 x XLR balanced
EtherCON RJ45, 1 x In	EtherCON RJ45, 1 x In	EtherCON RJ45, 1 x In	EtherCON RJ45, 1 x In, 1 x Thru	EtherCON RJ45, 1 x In, 1 x Thru
Flat, Boost, Low Cut, Remote	Flat, Monitor, Low Cut, Remote	Flat, Boost, Low Cut, Remote	Front, Cardioid 1:1 vertical, Cardioid 1:1 horizontal, Remote	Front, Cardioid 1:1 vertical, Cardioid 1:1 horizontal, Remote
DSP CONTROL (Windows, Mac OS)	DSP CONTROL (Windows, Mac OS)	DSP CONTROL (Windows, Mac OS)	DSP CONTROL (Windows, Mac OS)	DSP CONTROL (Windows, Mac OS)
Fully parametric 10-band EQ with variable filter characteristics, High-Pass Filter, Low-Pass Filter, Polarity, Level, Delay, Limiter, Mute	Fully parametric 10-band EQ with variable filter characteristics, High-Pass Filter, Low-Pass Filter, Polarity, Level, Delay, Limiter, Mute	Fully parametric 10-band EQ with variable filter characteristics, High-Pass Filter, Low-Pass Filter, Polarity, Level, Delay, Limiter, Mute	Fully parametric 10-band EQ with variable filter characteristics, Low-Pass Filter, Polarity, Level, Delay, Limiter, Mute	Fully parametric 10-band EQ with variable filter characteristics, Low-Pass Filter, Polarity, Level, Delay, Limiter, Mute
48 kHz	48 kHz	48 kHz	48 kHz	48 kHz
Less than 2 ms	Less than 2 ms	Less than 2 ms	Less than 2 ms	Less than 2 ms
1x IEC connector with V-Lock securing system, 100-240 V	1x IEC connector with V-Lock securing system, 100-240 V	1x IEC connector with V-Lock securing system, 100-240 V	1x IEC connector with V-Lock securing system, 100-240 V	1x IEC connector with V-Lock securing system, 100-240 V
1 A / 100–240 V nominal according to EN 62368-1	1 A / 100–240 V nominal according to EN 62368-1	1 A / 100–240 V nominal according to EN 62368-1	1 A / 100–240 V nominal according to EN 62368-1	1.9 A / 100–240 V nominal according to EN 62368-1
-	31°		-	-
DuoTilt 3°/7°	DuoTilt 3°/7°	DuoTilt 3°/7°	1 x M20	1 x M20
3x M8 (AP-8)	3x M8 (AP-8)	3x M8 (AP-8)	-	-
2 x MultiGrip	2 x MultiGrip, 1 x SingleGrip	2 x MultiGrip	2 x MultiGrip	2 x MultiGrip
Hybrid (birch multiplex/MDF)	Hybrid (birch multiplex/MDF)	Hybrid (birch multiplex/MDF)	Hybrid (birch multiplex/MDF)	Birch multiplex
Black acrylic enamel	Black acrylic enamel	Black acrylic enamel	Black acrylic enamel	Black acrylic enamel
2 mm metal grille backed with black acoustic foam	2 mm metal grille backed with black acoustic foam	2 mm metal grille backed with black acoustic foam	2 mm metal grille backed with black acoustic foam	2 mm metal grille backed with black acoustic foam
37 x 67 x 36.5 cm 14-9/16 x 26-3/8 x 14-3/8"	45 x 68.5 x 42 cm 17-23/32 x 26-31/32 x 16-17/32"	44,8 x 70,7 x 44,75 cm 17-2/3 x 27-4/5 x 17-2/3"	48 x 53.5 x 67.5 cm 18-57/64 x 21-1/16 x 26-37/64"	55 x 56 x 68.5 cm 21-21/32 x 22-3/64 x 26-31/32"
21.9 kg / 48.28 lbs	27.6 kg / 60.85 lbs	30,2 kg / 66,47 lbs	32.9 kg / 72.53 lbs	41.6 kg / 91.71 lbs

Wichtige Sicherheitshinweise!

Bitte vor Anschluss lesen!

Dieses Produkt wurde gemäß IEC 62368-1 hergestellt und hat das Werk in einem sicheren, betriebsfähigen Zustand verlassen. Um diesen Zustand zu erhalten und um einen gefahrlosen Betrieb zu gewährleisten, ist es notwendig, dass der Benutzer die Empfehlungen und Warnhinweise befolgt, die in der Betriebsanleitung zu finden sind. Bei Einsatz dieses Produktes in Fahrzeugen, Schiffen oder Flugzeugen, oder in Höhen oberhalb 2000 m Meereshöhe müssen die entsprechenden Sicherheitsstandards zusätzlich zur IEC 62368-1 beachtet werden. **WARNUNG:** Um das Risiko von Feuer oder Stromschlag zu verhüten, darf dieses Gerät nicht Feuchtigkeit oder Regen ausgesetzt werden. Öffnen Sie das Gehäuse nicht – im Inneren gibt es keine Bauteile, die vom Benutzer wartbar sind. Die Wartung darf nur von einem qualifizierten Kundendienst durchgeführt werden.



Dieses Symbol, wo immer es erscheint, warnt Sie vor gefährlicher, nicht isolierter Spannung im Gehäuse – Spannung, die möglicherweise genügt, eine Stromschlaggefahr darzustellen.



Dieses Symbol, wo immer es erscheint, warnt Sie vor außen zugänglicher, gefährlicher Spannung. Eine Verbindung zu jeder Anschlussklemme, die mit diesem Symbol versehen ist, darf nur mit konfektioniertem Kabel hergestellt werden, dass den Empfehlungen des Herstellers genügt, oder mit Kabel, das von qualifiziertem Personal installiert wurde.



Dieses Symbol, wo immer es erscheint, macht Sie auf wichtige Bedienungs- und Wartungsanweisungen aufmerksam, die in beiliegenden Unterlagen zu finden sind. Bitte lesen Sie das Handbuch.



Dieses Symbol, wo immer es erscheint, sagt Ihnen: Vorsicht! Heiße Oberfläche! Um Verbrennungen zu vermeiden, nicht anfassen.



Elektro- und Elektronikgeräte einschließlich Batterien sind getrennt vom Hausmüll über offizielle Sammelstellen fachgerecht zu entsorgen.



Bitte lesen Sie diese Anweisungen. Bewahren Sie diese Anweisungen auf. Befolgen Sie alle Warnhinweise und Anweisungen auf dem Gerät und in dieser Anleitung.

- Benutzen Sie dieses Gerät nicht in der Nähe von Wasser. Stellen Sie das Gerät nicht in der Nähe von Wasser, Badewannen, Waschbecken, Küchenspülen, nassen Stellen, Schwimmbädern oder in feuchten Räumen auf.
- Stellen Sie keine Gefäße, wie Vasen, Gläser, Flaschen usw., die Flüssigkeiten enthalten, auf das Gerät.
- Reinigen Sie das Gerät nur mit einem trockenen Tuch.
- Entfernen Sie keine Abdeckungen oder Teile des Gehäuses.
- Die auf dem Gerät angegebene Betriebsspannung muss mit der örtlichen Spannung der Netzstromversorgung übereinstimmen. Wenn Sie sich nicht sicher sind, welche Spannung in Ihrem Netz zur Verfügung steht, konsultieren Sie bitte Ihren Händler oder den örtlichen Stromversorger.
- Stellen Sie vor Anschluss des Gerätes unbedingt sicher, dass die Netzversorgungsinstallation über ausreichende Schutzvorrichtungen gegen Kurzschluss und Erdungsfehler angeschlossener Geräte verfügt.
- Um das Risiko eines Stromschlags zu verringern, muss die Erdung des Gerätes beibehalten werden. Verwenden Sie nur das mitgelieferte Stromführungskabel und behalten Sie die Funktion der seitlichen, geerdeten Schutzkontakte des Netzanschlusses immer aufrecht. Stellen Sie sicher, dass das Gerät nur an Steckdosen angeschlossen wird, die über eine ordnungsgemäß funktionierende Schutzerde verfügen.
- Schützen Sie das Stromführungskabel vor Betreten und Quetschen, besonders in der Nähe der Stecker, Gerätesteckdosen – und dort, wo sie am Gerät austreten! Stromführungskabel sollten immer vorsichtig behandelt werden. Kontrollieren Sie die Stromführungskabel in regelmäßigen Abständen auf Einschnitte und Anzeichen von Abnutzung, besonders in der Nähe des Steckers und an der Verbindung zum Gerät.
- Benutzen Sie niemals ein beschädigtes Stromführungskabel.
- Ziehen Sie bei Gewittern den Stecker des Gerätes und wenn das Gerät über einen längeren Zeitraum nicht benutzt wird.
- Dieses Gerät wird nur vollständig vom Stromnetz getrennt, wenn der Stecker vom Gerät oder aus der Steckdose gezogen wird. Das Gerät sollte so aufgestellt werden, dass das Trennen vom Stromnetz leicht möglich ist.

- Sicherungen dürfen nur von qualifiziertem Personal gewechselt werden, und nur unter Verwendung des korrekten Typs und Nennwerts.
- Alle Wartungsarbeiten sollten nur von qualifiziertem Personal ausgeführt werden. Wartung ist notwendig, wenn das Gerät auf irgendeine Weise beschädigt wurde, wie zum Beispiel:
 - Wenn das Stromführungskabel oder der Stecker beschädigt oder abgenutzt ist.
 - Wenn Flüssigkeit oder Gegenstände in das Gerät gelangt sind.
 - Wenn das Gerät Regen oder Feuchtigkeit ausgesetzt war.
 - Wenn das Gerät nicht ordnungsgemäß funktioniert, obwohl die Bedienungsanleitung beachtet wurde.
 - Wenn das Gerät hingefallen ist oder das Gehäuse beschädigt wurde.
- Beim Anschluss von Lautsprechern an dieses Gerät darf die auf dem Gerät oder in dieser Anleitung angegebene Mindestimpedanz nicht unterschritten werden. Die verwendeten Kabel müssen entsprechend den lokalen Regelungen über einen ausreichenden Querschnitt verfügen.
- Eine Umgebungstemperatur von 35° C sollte nicht überschritten werden.
- Halten Sie das Gerät vom Sonnenlicht fern.
- Installieren Sie das Gerät nicht in der Nähe von Wärmequellen, wie zum Beispiel Heizkörper, Heizregister, Öfen oder anderen Geräten, die Hitze erzeugen.
- Dieses Gerät wurde für die Verwendung in gemäßigten Klimazonen entwickelt. Nicht geeignet zur Verwendung in tropischen Klimazonen.
- Verstopfen Sie nicht die Lüftungsöffnungen. Installieren Sie das Gerät entsprechend der Anleitung des Herstellers. Das Gerät darf nicht eingebaute werden – wie zum Beispiel in einen Gestellrahmen, es sei denn, dass für angemessene Belüftung gesorgt wird.
- Ein kaltes Gerät sollte immer auf die Umgebungstemperatur erwärmt werden, wenn es in einen Raum transportiert wird. Es könnte sich Kondensation im Inneren bilden, die das Gerät beschädigt, wenn es ohne vorherige Erwärmung benutzt wird.
- Stellen Sie keine offenen Flammen, wie brennende Kerzen, auf das Gerät.
- Das Gerät sollte mindestens 20 cm von Wänden aufgestellt werden.
- Das Gerät darf nur mit Rollwagen, Ständern, Stativen, Tischen oder Halterungen benutzt werden, die vom Hersteller spezifiziert sind oder zusammen mit dem Gerät verkauft wurden. Wenn ein Rollwagen benutzt wird, seien Sie vorsichtig, wenn Sie die Rollwagen/Geräte-Kombination transportieren, um Verletzungen durch Umkippen zu vermeiden.
- Verwenden Sie nur Zubehör, das vom Hersteller empfohlen ist. Das gilt für alle Arten von Zubehör, wie zum Beispiel Schutzabdeckungen, Transporttaschen, Ständer sowie Wand- und Deckenhalterungen. Wenn Sie irgendein Zubehör am Gerät anbringen, befolgen Sie immer die Anleitungen des Herstellers. Benutzen Sie nur die Befestigungspunkte des Geräts, die vom Hersteller vorgesehen sind.
- Dieses Gerät ist NICHT geeignet für eine Person oder Personen (einschließlich Kindern) mit eingeschränkter physischer, sensorischer und geistiger Fähigkeiten, oder für Personen mit unzulänglicher Erfahrung und/oder Fachkenntnis, um solch ein Gerät zu bedienen. Kinder unter 4 Jahren sollten stets von diesem Gerät fern gehalten werden.
- Es sollten keinerlei Gegenstände durch die Gehäuseschlitze eingeführt werden, da dadurch gefährliche, spannungsführende Bauteile berührt oder kurzgeschlossen werden können. Dies könnte zu einer Feuer- oder Stromschlaggefahr führen.
- Dieses Gerät ist imstande, Schalldruckpegel von mehr als 90 dB zu produzieren. Dies könnte zu einem dauerhaften Hörschaden führen! Eine Belastung durch extrem hohe Geräuschpegel kann zu einem dauerhaften Hörverlust führen. Bei einer anhaltenden Belastung durch solch hohe Pegel sollte ein Gehörschutz getragen werden.
- Der Hersteller gewährleistet die Sicherheit, Zuverlässigkeit und Leistung des Gerätes nur unter folgenden Voraussetzungen:
 - Einbau, Erweiterung, Neueinstellung, Modifikationen oder Reparaturen werden vom Hersteller oder autorisiertem Personal ausgeführt.
 - Die elektrische Installation des betreffenden Bereiches entspricht den Anforderungen der IEC (ANSI) Maßgaben.
 - Das Gerät wird entsprechend der Bedienungsanleitung benutzt.
- Dieses Produkt ist auf die Verwendung mit Musik- und Sprachsignalen optimiert. Verwendung mit Sinus-, Rechteck- oder anderen Mess-Signalen bei höherem Pegel kann zu ernsthaften Beschädigungen des Geräts führen.

Allgemeine Sicherheitshinweise für Lautsprechersysteme



Befestigungssysteme dürfen ausschließlich für die vom Hersteller freigegebenen Lautsprechersysteme und mit dem in der Montageanleitung genannten Montage-Zubehör verwendet werden. Die Montagehinweise des Herstellers sind dabei unbedingt zu beachten. Bei unsachgemäßer Montage bzw. Verwendung von nicht freigegebenem Montage-Zubehör kann die angegebene Belastung nicht garantiert und keinerlei Haftung seitens des Herstellers

übernommen werden. Sollten Änderungen an Lautsprechern, an Montage-Zubehör, Verbindungs- und Befestigungselementen sowie Anschlagsmitteln vorgenommen werden, kann die Tragfähigkeit des Systems nicht mehr garantiert werden und seitens des Herstellers keinerlei Haftung übernommen werden.

Reparaturen an sicherheitsrelevanten Bauteilen dürfen nur vom Hersteller oder Bevollmächtigten durchgeführt werden, andernfalls erlischt die Betriebserlaubnis.



Die Installation darf ausschließlich durch Sachkundige und nur an Montagepunkten mit ausreichender Tragfähigkeit, ggf. unter der Berücksichtigung von Bauauflagen, erfolgen. Das vom Hersteller in der Montageanleitung vorgeschriebene Befestigungsmaterial (Schrauben, Dübel, etc.) muss verwendet werden. Schraubverbindungen müssen durch geeignete Maßnahmen gegen Lösen gesichert sein.



Ortsfeste oder mobile Installationen (hier Lautsprecher inkl. Montagezubehör) müssen durch zwei unabhängig voneinander wirkende Einrichtungen gegen Herabfallen gesichert sein. Lose Zusatzteile oder sich lösende Teile müssen durch geeignete Einrichtungen aufgefangen werden können. Bei Verwendung von Verbindungs- und Befestigungselementen sowie Anschlagsmitteln sind die nationalen Vorschriften zu beachten. Hinsichtlich der Bemessung der Sicherungsmittel sind mögliche dynamische Belastungen (Ruckkräfte) mit zu berücksichtigen.



Bei Stativen ist vor allem die maximale Traglast zu beachten. Außerdem sind die meisten Stative aus konstruktiven Gründen nur für das Tragen von genau zentrischer Belastung zugelassen. Stative müssen standischer aufgestellt werden. Stative sind durch geeignete Maßnahmen zusätzlich zu sichern, wenn zum Beispiel:

- ihre Aufstandfläche keinen sicheren Stand zulässt,
- ihre Höhen die Standsicherheit einschränken,
- mit zu hohem Winddruck zu rechnen ist,
- damit zu rechnen ist, dass sie durch Personen umgestoßen werden.

Besondere Maßnahmen können auch zur Vorsorge gegen gefährdendes Verhalten von Zuschauern erforderlich werden. Stative dürfen nicht in Flucht- und Rettungswegen aufgestellt werden. Bei Aufstellung in Verkehrswegen ist auf die erforderliche Breite der Wege und auf ordnungsgemäße Absperrung sowie Kennzeichnung zu achten. Beim Auf- und Absetzen ist eine besondere Gefährdung gegeben. Hierzu sind geeignete Hilfsmittel zu verwenden. Es sind hierbei die nationalen Vorschriften zu beachten.



Während der Montage ist geeignete Schutzausrüstung (insbesondere Kopfschutz, Handschuhe und Sicherheitsschuhe) zu tragen und es sind nur geeignete Aufstiegsflächen (Leitern, Gerüste, etc.) zu verwenden. Die Verantwortung dafür liegt alleine beim ausführenden Installationsbetrieb.



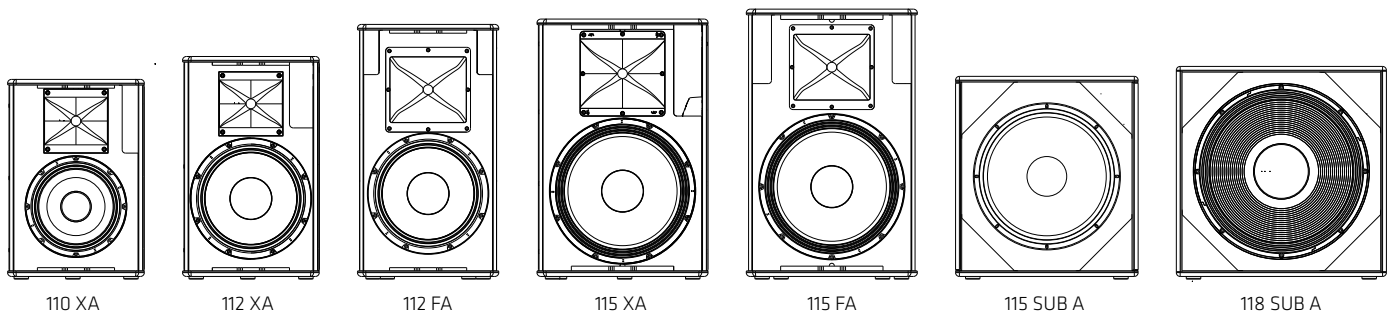
ACHTUNG! Nach der Montage ist die Aufhängung des Systems aus Halterung und Lautsprecher auf sichere Befestigung zu überprüfen. Der Betreiber von Lautsprechersystemen (ortsfest oder mobil) ist verpflichtet, alle Systemkomponenten unter Berücksichtigung der jeweils nationalen Regelungen regelmäßig zu überprüfen bzw. prüfen zu lassen und mögliche Schäden unverzüglich beseitigen zu lassen. Weiterhin raten wir dringend zu einer ausführlichen Dokumentation aller Überprüfungsmaßnahmen in Prüfbüchern o.ä. Insbesondere die Lastaufnahmepunkte geflogener Systeme sollten hier mit ausreichenden Sicherheitsreserven dimensioniert werden. Es sind hierbei die nationalen Vorschriften zu beachten.



Professionelle Lautsprechersysteme sind in der Lage, gesundheitsschädliche Schallpegel zu erzeugen. Selbst die Einwirkung scheinbar harmloser Schallpegel über einen längeren Zeitraum kann zu bleibenden Schäden am Gehör führen (ab ca. 95 dBA SPL)! Daher raten wir für alle Personen, die durch den Betrieb von Lautsprechersystemen dem Einfluss hoher Schallpegel ausgesetzt sind, zum Tragen von professionellem Gehörschutz (Ohrstöpsel oder Kapselgehörschutz).

Hersteller: Stamer Musikanlagen GmbH, Magdeburger Str. 8, 66606 St. Wendel, Deutschland

LINEAR 5 MK II



110 XA

112 XA

112 FA

115 XA

115 FA

115 SUB A

118 SUB A

Willkommen in der HK Audio Familie!

Vielen Dank, dass Sie sich für ein Markenprodukt aus unserem Hause entschieden haben, das mit größter Sorgfalt für Sie entwickelt und gefertigt wurde.



Auch wenn Sie bereits eingehende Erfahrungen mit Beschallungsanlagen gesammelt haben – bei diesem Produkt wird es trotzdem einige Dinge geben, die neu für Sie sind. Legen Sie deshalb diese Bedienungsanleitung nicht ungelesen beiseite und bewahren Sie sie zur späteren Verwendung auf.

Wir wünschen Ihnen allzeit besten Sound!

Ihr HK Audio Team



Hinweis: Die Funktionalität dieses Produkts kann durch starke elektromagnetische Felder oder elektrostatische Entladungen gestört werden. In diesem Fall kann durch Ausschalten und erneutes Einschalten die Funktionalität wieder hergestellt werden. Falls dies nicht hilft, muss das Gerät von der Störquelle entfernt werden.

Garantie

Nutzen Sie die komfortable Online-Registrierung über www.hkaudio.com.



<http://warranty.hkaudio.com>

Die Registrierung ist nur gültig, wenn sie innerhalb von 30 Tagen ab Kaufdatum erfolgte.

HK Audio

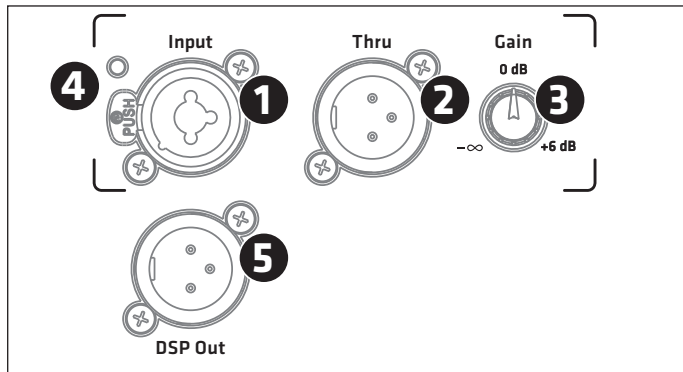
Technischer Service
Postfach 1509
66595 St. Wendel, Deutschland
Fax: +49 6851 905 100

1 Allgemeines

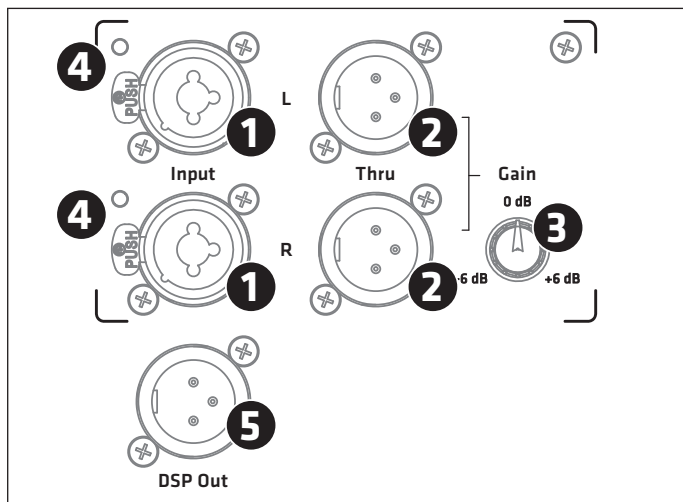
Lieferumfang

Bitte überprüfen Sie beim Auspacken Ihrer LINEAR 5 MK II Lautsprecherbox den Lieferumfang auf Vollständigkeit. Im Lieferumfang sind der Quick-Start-Guide und ein Netzkabel enthalten.

2 Anschlüsse und Bedienelemente



LINEAR 5 MK II XA/FA-Modelle



LINEAR 5 MK II Sub A-Modelle

1 Input

XLR/Klinke-Kombibuchse, symmetrischer Eingang für analoge Signale.

- Die LINEAR 5 MK II XA/FA-Modelle verfügen über einen Eingangskanal.
- Die Subwoofer LINEAR 5 MK II 115 Sub A und LINEAR 5 MK II 118 Sub A verfügen über zwei getrennte Eingänge für das linke und rechte Signal. Die beiden Kanäle sind gleichwertig und werden nach der Vorstufe summiert, im Mono-Betrieb spielt es daher keine Rolle, welcher der beiden Kanäle angeschlossen wird.

2 Thru

Symmetrischer, parallel zur Eingangsbuchse geschalteter XLR-Ausgang (beim Subwoofer zwei), dient zur Weiterleitung des am Input anliegenden Eingangssignals, unabhängig davon, ob die Elektronik eingeschaltet ist oder nicht.

3 Gain

Der Gain-Regler regelt die Vorverstärkung des am Input anliegenden Signals.

- bei den XA/FA-Modellen $-\infty$ (Mute) bis +6 dB
- bei der Stereo-Vorstufe der Subwoofer gilt der Regler für beide Kanäle, hier ist der Regelbereich -6 bis +6 dB

Mittelstellung des Reglers (Centerclick) entspricht in beiden Fällen 0 dB.

Hinweis: Das Signal, das am DSP-Out anliegt, wird durch diesen Regler nicht beeinflusst.

4 Input/Limiter-LED

Diese LED leuchtet grün wenn ein Signal am Input anliegt – und rot sobald der Limiter aktiv ist oder der Eingang übersteuert wird. Ein kurzzeitiges rotes Aufleuchten der LED zeigt das Arbeiten des Limiters bei Pegelspitzen an. Leuchtet sie dauerhaft rot, muss der Pegel reduziert werden.

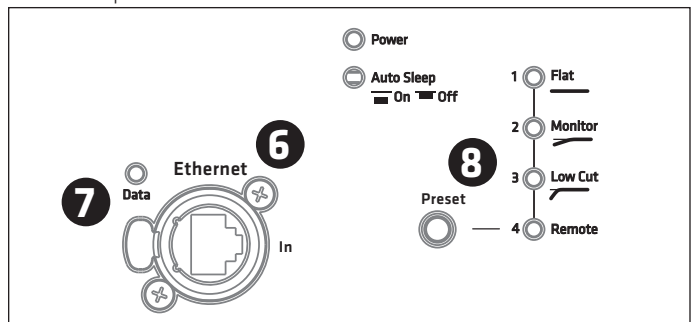
5 DSP Out

XLR-Buchse, die entweder zur Ausgabe des analogen Input-Signals (von der Input-Buchse kommend) oder zur Ausgabe eines über ein Netzwerk eingespeisten digitalen Audio-Signals dient. In beiden Fällen kann das Signal mit dem internen DSP bearbeitet werden.

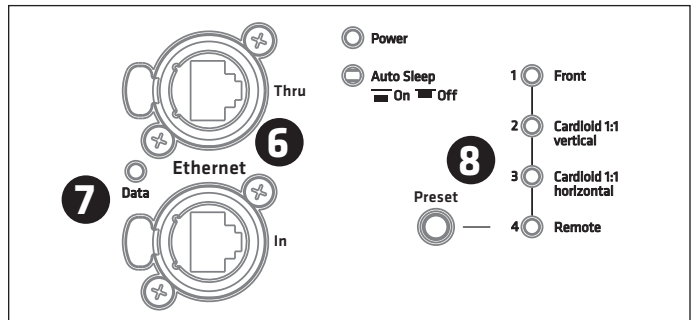
Damit stellt der DSP Out ein Netzwerk-Interface zur Integration einer zusätzlichen – von Haus aus nicht netzwerkfähigen – Aktivbox dar.

Im Auslieferungszustand liegt am DSP Out das unbearbeitete Eingangssignal an, unabhängig von der Preset-Auswahl und von der Stellung des Gain-Reglers.

Ethernet Topteile



Ethernet Subwoofer



6 Ethernet In /Thru

Die Ethercon-Buchse dient zur Integration in ein Netzwerk. Sie ist kompatibel mit RJ45- und Ethercon (NE8 MX, NE8 MX6, NE 8 MC)-Steckern. Die Topteile verfügen jeweils über ein Ethernet In, die Subwoofer zusätzlich über ein Ethernet Thru. Nutzen Sie die Ethernet Thru-Buchse bei den Bässen zum Weiter-schleifen des Netzwerk-Signals.

Bitte verwenden Sie zum Schutz gegen elektromagnetische Störungen stets S/STP- oder S/FTP-Kabel. Wir empfehlen die Verwendung von CAT6-Kabeln. Die Integration in ein Netzwerk, Funktionen des Remote-Controlling sind in einer separaten Bedienungsanleitung beschrieben, die im Download-Bereich

zu LINEAR 5 MK II auf www.hkaudio.com zur Verfügung steht. Eine Kurzbeschreibung der DSP-Funktionen finden Sie unter **8** Preset.

7 Data

Diese LED leuchtet orange, wenn Daten über die Netzwerkbuchse fließen.

8 Preset

Über den Preset-Wahltaster lassen sich die voreingestellten Werks-Presets sowie ein über die Remote-Software DSP CONTROL konfigurierbares User-Preset abrufen. Durch einmaliges Tippen auf den Wahlaster können Sie durch die Presets 1 bis 4 scrollen.

Die Nutzung von User-Presets (4 Remote) ist in einer separaten Bedienungsanleitung beschrieben, die im Download-Bereich zu LINEAR 5 MK II auf www.hkaudio.com zur Verfügung steht.

Preset-Übersicht:

	LINEAR 5 MK II 110 XA, 112 XA, 115 XA	LINEAR 5 MK II 112 FA, 115 FA	LINEAR 5 MK II 115 Sub A, 118 Sub A
1	Flat	Flat	Front
2	Monitor	Boost	Cardioid 1:1 vertical
3	Low Cut	Low Cut	Cardioid 1:1 horizontal
4	Remote (Abruf der über Remote-Software HK Audio DSP CONTROL gespeicherten Einstellungen)		

Die Werks-Presets der LINEAR 5 MK II XA/FA-Modelle:

Flat	über den Wiedergabebereich hinweg linearer Frequenzgang
Monitor	auf Anwendung als quer liegender Bühnenmonitor optimiert, korrigiert die durch Bodenankopplung verursachte Überbetonung des Tieftonbereiches mittels Pegelreduktion
Boost	betont den Tieftonbereich, etwa beim Einsatz im Stand-Alone-Betrieb ohne Subwoofer.
Low Cut	optimiert für die Nutzung als Topteil in Verbindung mit dem LINEAR 5 MKII 115 Sub A oder 118 Sub A mit Hilfe eines Hochpass-Filters

Die Werks-Presets der LINEAR 5 MK II 115 Sub A und 118 Sub A

Front	Für den Standard-Betrieb als nach vorne gerichteter Subwoofer
Cardioid 1:1 vertical	Für den Cardioid-Betrieb zweier übereinander gestapelten Subwoofer mit einem nach vorne gerichteten LINEAR 5 MKII Subwoofer. (siehe auch Kapitel 4.2)
Cardioid 1:1 horizontal	Für den Cardioid-Betrieb zweier nebeneinander stehenden Subwoofer mit einem nach vorne gerichteten LINEAR 5 MKII Subwoofer (siehe auch Kapitel 4.2)

Die Werks-Presets 1 bis 3 beeinflussen nur die Box selbst, nicht den DSP-Out.

Hinweis: Im Netzwerk mit verbundener Remote-Software DSP CONTROL kann der DSP Out – auch bei Nutzung der Werks-Presets 1 bis 3 – unabhängig von diesen Werks-Presets konfiguriert werden. Mehr dazu erfahren Sie in der separaten Bedienungsanleitung für DSP CONTROL, welche Sie im Download-Bereich der LINEAR 5 MK II-Produkte auf www.hkaudio.com finden.

Das Remote-Preset

Remote	Hier kann ein zuvor über DSP CONTROL gespeicherter User-Preset für die Box selbst, als auch für den DSP-Out abgerufen werden. Die Box muss dazu nicht mit der Remote-Software verbunden sein.
--------	---

Im Auslieferungszustand entspricht das Remote-Preset dem Werks-Preset 1 (Flat/Front).

Über die Remote-Software DSP CONTROL zur Verfügung stehende DSP-Funktionen, die als User-Preset gespeichert werden können:

Vollparametrischer 10-Band EQ mit wählbarer Filter-Charakteristik pro Frequenzband, High-Pass- und Low-Pass-Filter mit jeweils wählbarer Filter-Charakteristik, Limiter, Delay, Polarität, Pegel, Mute.

Die Parameter können für die Box selbst und für den DSP Out unabhängig voneinander konfiguriert werden



Screenshot der Remote-Software DSP CONTROL, welche im Download-Bereich der LINEAR 5-Produkte auf www.hkaudio.com kostenlos zur Verfügung steht. Die Parameter für „Speaker“ und „DSP Out“ sind identisch, können aber dank doppelter DSP-Power unabhängig voneinander konfiguriert werden.

9 Power

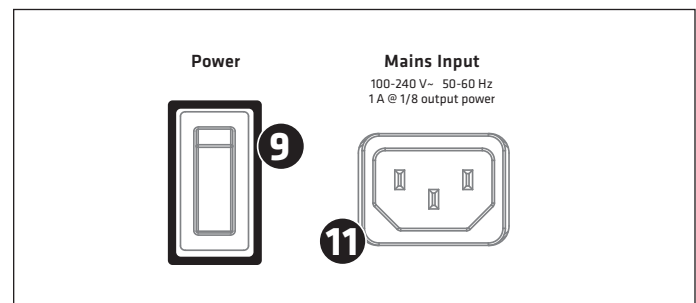
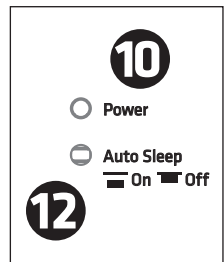
Der Netzschalter ist als Kippschalter ausgeführt. In Stellung Power ist die Elektronik eingeschaltet, im ausgeschalteten Zustand ist die Elektronik komplett vom Netz getrennt.

10 Power-LED

Sobald die Elektronik mit Spannung versorgt wird, leuchtet diese LED grün.

11 Mains Input

Der Netzanschluss ist als verriegelbare IEC 14 Buchse ausgelegt. In Kombination mit dem mitgelieferten verriegelbaren Anschlusskabel, wird das Netzkabel arretiert und gegen versehentliches Herausrutschen gesichert..



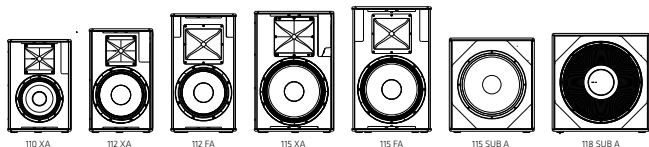
12 Auto Sleep

Über diesen versenkten Schalter kann die energiesparende Auto-Sleep-Funktion ein- und ausgeschaltet werden. Ab Werk ist Auto Sleep aktiviert (Schalter gedrückt). Diese Funktion versetzt die Elektronik in den Auto Sleep-Modus wenn über einen Zeitraum von 4,5 Stunden weder ein Signal anliegt, noch Daten über die Netzwerkbuchsen eingehen oder Taster und Regler an der Elektronik bedient werden. Ein Wieder-Aktivieren der Lautsprecherbox ist nur durch Aus- und Einschalten des Netzschalters oder durch Anlegen eines analogen Audiosignals am Eingang möglich.

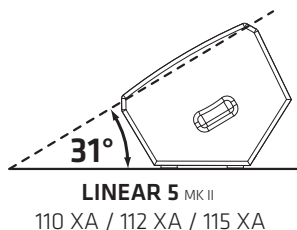
Achtung: Die Aktivierung über die Netzwerkbuchsen ist nicht möglich.

Die Deaktivierung der Auto-Sleep-Funktion ist nur durch Bedienung des versenkten Schalters (nicht gedrückt) möglich.

3 Übersicht über die verschiedenen Modelle 110 XA, 112 XA, 112 FA, 115 XA, 115 FA, 115 Sub A, 118 Sub A



Die LINEAR 5-Serie besteht aus fünf Topteilen und zwei Subwoofern: LINEAR 5 MK II 110 XA, LINEAR 5 MK II 112 XA, LINEAR 5 MK II 112 FA, LINEAR 5 MK II 115 XA, LINEAR 5 MK II 115 FA, LINEAR 5 MK II 115 Sub A und LINEAR 5 MK II 118 Sub A. Die Multifunktionsmodelle LINEAR 5 MK II 110 XA, LINEAR 5 MK II 112 XA und LINEAR 5 MK II 115 XA eignen sich dank ihrer Gehäuseform mit integrierter 31°-Schräge auch für die Anwendung als quer liegender Bühnenmonitor. Die Fullrange Modelle LINEAR 5 MK II 112 FA und LINEAR 5 MK II 115 FA liefern dank ihres größeren Gehäuse-Volumens mehr Schalldruck im Tieftonbereich.



Die LINEAR 5 MK II 110 XA und 112 XA sind mit einem breit abstrahlenden Horn von 80° x 60° für eine homogene Abstrahlung im Nahfeld ausgestattet. Das Horn der LINEAR 5 MK II 115 XA bietet einen mittleren Abstrahlwinkel von 70° x 50°, in der LINEAR 5 MK II 112 FA und 115 FA kommt ein enger abstrahlendes Horn mit Abstrahlwinkel von 60° x 40° zum Einsatz, um höhere Reichweiten zu ermöglichen.

Die Hörner sind nicht ohne Werkzeuge zu drehen, sie sind daher weniger geeignet für regelmäßige Anpassungen, sondern eher dafür gedacht, eine Box auf ihre Hauptanwendung hin zu optimieren.

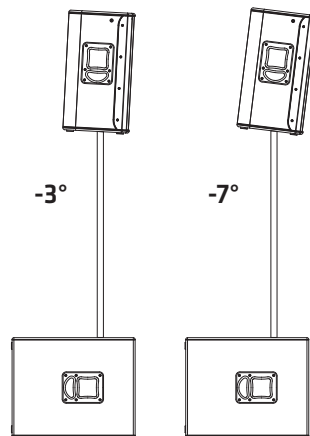
Tipp: Beim Einsatz als quer liegender Bühnen-Monitor ist es nicht zwingend notwendig das Horn zu drehen, es ist sogar von Vorteil, wenn der für den aufrecht stehenden Betrieb notwendige schmalere vertikale Abstrahlwinkel quer liegend als horizontaler Abstrahlwinkel genutzt wird. Dadurch minimiert sich der Überlappungsbereich mit benachbarten Monitoren und das Feedback-Risiko kann durch die genauere Ausrichtung gesenkt werden.

4 Aufstellung

4.1 Die XA/FA-Modelle

LINEAR 5 MK II-Tops können auf Subwoofern gestapelt, auf Stativen oder Distanzstangen montiert, mit Wandhaltern installiert, oder mit dem entsprechendem Zubehör geflogen werden.

Aufstellung mit DuoTilt 3/7



Um eine ideale Schallverteilung zu erreichen sind alle Tops mit dem HK Audio DuoTilt 3/7 ausgestattet, einem speziellen Flansch für 35 mm-Stativen und Distanzstangen, der Neigungswinkeln von -3° und -7° ermöglicht. Um den optimalen Schwerpunkt der Box auf dem Stativ beizubehalten, ist der DuoTilt 3/7 nahe zur Schallwand positioniert.

Allgemeines zum Aufbau mit Stativen

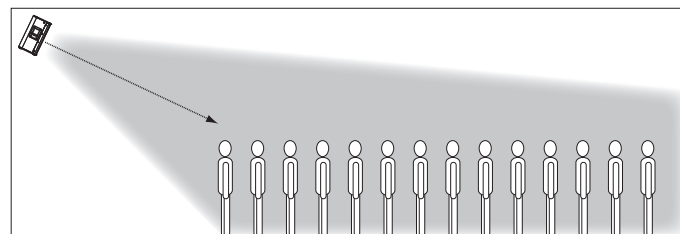
Hinweis! Achten Sie stets auf sicheren Stand und auf die Herstellerangaben zur maximalen Belastung der Stativ.



Vorsicht!

- Es dürfen nur Stativen verwendet werden, für die die Kippsicherheit gewährleistet ist. Das Stativ muss für das Gewicht der Lautsprecherbox ausgelegt sein. Die maximale Auszugshöhe ist derart zu begrenzen, dass die Kombination aus Stativ und Box nicht kippt. Dies gilt bei Aufstellung auf einer ebenen waagerechten Fläche.
- Des Weiteren ist bei Aufstellung auf einer unebenen oder geneigten Fläche darauf zu achten, dass die Kippsicherheit gewährleistet wird, entweder durch Beschwerung des Stativfußes mit geeigneten Gewichten oder durch anderweitige Sicherungsmaßnahmen.
- Die Verwendung mit anderen Vorrichtungen kann zur Instabilität führen, die Verletzungen verursachen kann.

Rigging:

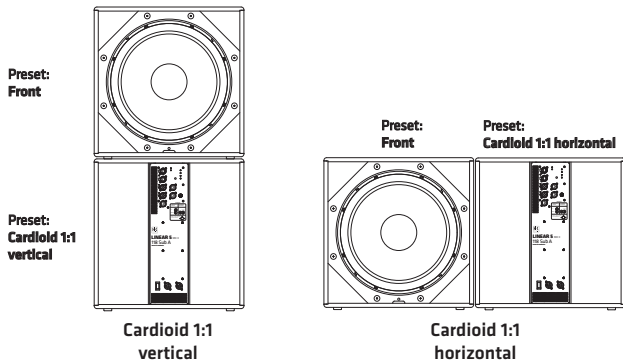


Die XA und FA Modelle können über deren Flugpunkte (Stahlseile oder Ketten in Verbindung mit dem Anschlagpunkt AP-8) geflogen werden. Die Modelle 112 FA, 115 FA und 115 XA sehen zusätzlich den Flugbetrieb in Kombination mit der Montage der Flugbügel HK Audio TB-45N und TB-45NQ (Q-Modell mit Quick-Release-Pins demontierbar) vor.

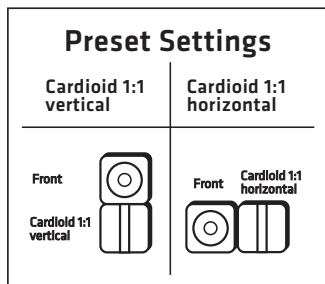
4.2 LINEAR 5 MK II 115 Sub A und 118 Sub A

Die LINEAR 5 MK II Subwoofer können grundsätzlich wie jeder andere direkt abstrahlende Bass gehandhabt werden. Bei der Nutzung im Cardioid Betrieb ist die Nutzung entweder übereinander oder nebeneinander möglich. Es muss mindestens 1 Meter Abstand zu Wänden eingehalten werden.

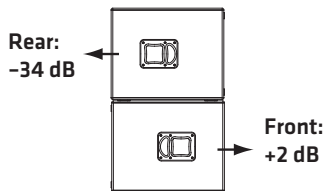
Im Cardioid-Betrieb sind zwei Aufbauvarianten möglich: Cardioid 1:1 vertical und Cardioid 1:1 horizontal - die folgende Illustration zeigt die Frontansicht (vom Publikum aus gesehen)



Das passende Preset ist an der Rückseite der LINEAR 5 MK II Subwoofer auswählbar. siehe auch Kapitel 2, 8 Preset:



In beiden Fällen wird der rückwärtige Schalldruck um bis zu 34 dB abgesenkt, nach vorne erhöht sich der Schalldruck um ca. 2 dB.

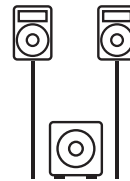


Wann macht ein Cardioid-Aufbau Sinn?

Während mittlere und hohe Frequenzen gerichtet abgestrahlt werden können, breiten sich tiefe Frequenzen kugelförmig aus. Das führt oft zu einem unangenehmen Übermaß an Tiefbässen auf und hinter der Bühne. Auch wird es zunehmend üblich, dass Veranstalter genaue Vorgaben zur Schallverteilung machen, z.B. für Festzelte in Innenstädten. Das ist im Bassbereich am effektivsten mit Cardioid-Technik umzusetzen (Auslöschung der nach hinten abgestrahlten Frequenzen). Die LINEAR 5 MK II Subwoofer erfüllen deshalb sowohl mechanisch als auch mit den zur Verfügung stehenden Filtersätzen die Voraussetzungen, schnell und einfach wirkungsvolle Cardioid-Setups zu realisieren.

5 System-Beispiele

5.1 Aufbau als 2.1-Stereo-System



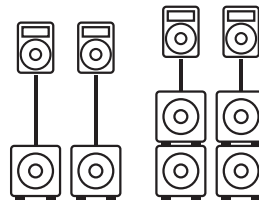
Dank der in den LINEAR 5 MK II Subwoofer integrierten Stereo Preamps kann ein 2.1 System elegant realisiert werden, indem beide Kanäle (links und rechts) in einen LINEAR 5 MK II Subwoofer gespeist werden, und aus dessen Thru-Buchsen das Signal an die Tops weitergeleitet wird. Ideale Ergänzung sind in diesem Fall die breit abstrahlenden LINEAR 5 MK II 110 XA

Presets:

Topteile	Low Cut
LINEAR 5 MK II	Front
Subwoofer	

Um ein möglichst homogenes Klangbild zu gewährleisten, sollte der Subwoofer mittig zwischen den beiden Satelliten platziert werden.

5.2 Aufbau mit Distanzstange



Statt Tops auf Stative zu platzieren, kann eine Distanzstange mit M20-Gewinde in den M20-Flansch des LINEAR 5 MK II Subwoofer geschraubt werden.

Presets:

Topteile	Low Cut
LINEAR 5 MK II	Front
Subwoofer	

5.3 Aufbau als Stack



Drei LINEAR 5 MK II Subwoofer übereinander gestapelt ergibt eine Höhe von ca. 1,65 m. In diesem Fall können die Topteile direkt auf die Bässe gestellt werden.

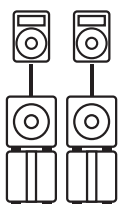
Presets:

Topteile	Low Cut
LINEAR 5 MK II	Front
Subwoofer	



Hinweis: Ein Setup als Stack sollte nur mit qualifiziertem Personal und entsprechenden Standards wie Verzurren mit Gurten auf ebenen Untergründen erfolgen.

5.4 Aufbau als Cardioid-Setup 1:1 vertical

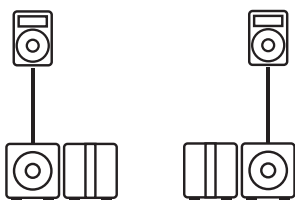


Cardioid-System mit Distanzstange – die unteren Bässe sind nach hinten gerichtet.

Presets:

Topteile	Low Cut
LINEAR 5 MK II Subwoofer	Front
LINEAR 5 MK II Subwoofer	Cardioid 1:1 vertical

5.5 Aufbau als Cardioid-Setup 1:1 horizontal



Cardioid-System mit nebeneinander liegenden Bässen - ein Subwoofer ist jeweils nach hinten gerichtet.

Presets:

Topteile	Low Cut
LINEAR 5 MK II Subwoofer	Front
LINEAR 5 MK II Subwoofer	Cardioid 1:1 horizontal

Ab Seite 42 finden Sie mehrere ausführliche Aufbau- und Verkabelungsbeispiele zum Betrieb Ihres LINEAR 5 MK II -Systems.

6 Optionales Zubehör von HK Audio

Für alle LINEAR 5 MK II bietet HK Audio Weather Protective Covers an, die gleichzeitig als Transportschutz und als Regenschutz (während des Betriebes) geeignet sind. Nähere Infos finden Sie unter www.hkaudio.com auf der Produktseite von LINEAR 5 MK II.

7 Technische Daten

Modell	LINEAR 5 MK II 110 XA	LINEAR 5 MK II 112 XA
Max. SPL @ 10 % THD	127 dB Halfspace (70 Hz – 12 kHz gemittelt)"	128 dB Halfspace (70 – 12 kHz gemittelt)
Max. SPL Peak @ 10 % THD	135 dB Halfspace	136 dB Halfspace
Frequenzgang +/-3 dB	74 Hz – 12 kHz	73 Hz – 12 kHz
Frequenzgang -10 dB	68 Hz – 19 kHz	67 Hz – 19 kHz
Endstufenleistung (RMS/Peak)	600 / 1.200 Watt	600 / 1.200 Watt
Endstufentyp	Class D - Biamped	Class D - Biamped
Basslautsprecher	-	-
Tief-/Mitteltonlautsprecher	1x 10", 2" Schwingspule	1x 12", 2,5" Schwingspule
Hochtontreiber	1", 1,4" Schwingspule	1", 1,7" Schwingspule
Horncharakteristik	80° x 60° CD-Horn, drehbar	80° x 60° CD-Horn, drehbar
Trennfrequenz aktiv	2,1 kHz FIR X-Over mit 72 dB/Okt.	1,9 kHz FIR X-Over mit 72 dB/Okt.
Maximaler Eingangspegel	20 dBu	20 dBu
Analoge Eingänge	1x XLR/Klinke-Kombi symmetrisch	1x XLR/Klinke-Kombi symmetrisch
Analoger Thru	1x XLR symmetrisch	1x XLR symmetrisch
DSP Out	1x XLR symmetrisch	1x XLR symmetrisch
Netzwerkanschluss	Ethercon RJ45, 1x In	Ethercon RJ45, 1x In
Filter-Presets	Flat, Monitor, Low Cut, Remote	Flat, Monitor, Low Cut, Remote
Remote-Software	DSP CONTROL (Windows, Mac OS)	DSP CONTROL (Windows, Mac OS)
DSP-Funktionen	Vollparametrischer 10-Band EQ mit variabler Filter-Charakteristik, High-Pass-Filter, Low-Pass-Filter, Polarität, Level, Delay, Limiter, Mute	Vollparametrischer 10-Band EQ mit variabler Filter-Charakteristik, High-Pass-Filter, Low-Pass-Filter, Polarität, Level, Delay, Limiter, Mute
Sampling-Rate	48 kHz	48 kHz
Systemlatenz	Unter 2 ms	Unter 2 ms
Netzanschluss	1x Kaltgeräteanschluss mit V-Lock Sicherungssystem, 100-240 V	1x Kaltgeräteanschluss mit V-Lock Sicherungssystem, 100-240 V
Leistungsaufnahme	1 A / 100–240 V Nenn-Stromverbrauch nach EN 62368-1	1 A / 100–240 V Nenn-Stromverbrauch nach EN 62368-1
Aufstellwinkel	31°	31°
Hochständerflansch	DuoTilt 3°/7°	DuoTilt 3°/7°
Flugpunkte	3x M8 (AP-8)	3x M8 (AP-8)
Griffe	1x SingleGrip	2x SingleGrip
Gehäuse	Hybrid (Birke-Multiplex/MDF)	Hybrid (Birke-Multiplex/MDF)
Oberfläche	Acryllack, schwarz	Acryllack, schwarz
Frontgitter	2 mm Metallgitter mit schwarzem Akustikschaumstoff	2 mm Metallgitter mit schwarzem Akustikschaumstoff
Abmessungen (BxHxT)	36 x 52,5 x 30 cm 14-1/16 x 20-43/64 x 11-13/16"	36 x 59 x 30,5 cm 14-1/16 x 23-15/64 x 12-1/32"
Gewicht	14,9 kg / 32.85 lbs	17,6 kg / 38.80 lbs

LINEAR 5 MK II 112 FA	LINEAR 5 MK II 115 XA	LINEAR 5 MK II 115 FA	LINEAR 5 MK II 115 Sub A	LINEAR 5 MK II 118 Sub A
128 dB Halfspace (70 Hz – 12 kHz gemittelt)	130 dB Halfspace (70 Hz – 12 kHz gemittelt)	130 dB Halfspace (70 Hz – 12 kHz gemittelt)	127 dB Halfspace (42 Hz– 100 Hz gemittelt)	129 dB Halfspace (42 – 100 Hz gemittelt)
135 dB Halfspace	138 dB Halfspace	138 dB Halfspace	130 dB Halfspace	131 dB Halfspace
70 Hz – 12 kHz	64 Hz – 12 kHz	57 Hz – 12 kHz	44 Hz – X-Over	42 Hz – X-Over
55 Hz – 19 kHz	59 Hz – 19 kHz	54 Hz – 19 kHz	40 Hz – X-Over	38 Hz – X-Over
600 / 1.200 Watt	600 / 1.200 Watt	600 / 1.200 Watt	600 / 1.200 Watt	1.000 / 2.000 Watt
Class D - Biamped	Class D - Biamped	Class D - Biamped	Class D	Class D
-	-	-	1x 15", 3" Schwingspule	1x 18", 4" Schwingspule
1x 12", 2,5" Schwingspule	1x 15", 3" Schwingspule	1x 15", 3" Schwingspule	-	-
1", 1,7" Schwingspule	1", 1,7" Schwingspule	1", 1,7" Schwingspule	-	-
60° x 40° CD-Horn, drehbar	70° x 50° CD-Horn, drehbar	60° x 40° CD-Horn, drehbar	-	-
1,6 kHz FIR X-Over mit 72 dB/Okt.	1,6 kHz FIR X-Over mit 72 dB/Okt.	1,6kHz FIR X-Over mit 72 dB/Okt.	-	-
20 dBu	20 dBu	20 dBu	20 dBu	20 dBu
1x XLR/Klinke-Kombi symmetrisch	1x XLR/Klinke-Kombi symmetrisch	1x XLR/Klinke-Kombi symmetrisch	2x XLR/Klinke-Kombi symmetrisch	2x XLR/Klinke-Kombi symmetrisch
1x XLR symmetrisch	1x XLR symmetrisch	1x XLR symmetrisch	2x XLR symmetrisch	2x XLR symmetrisch
1x XLR symmetrisch	1x XLR symmetrisch	1x XLR symmetrisch	1x XLR symmetrisch	1x XLR symmetrisch
Ethercon RJ45, 1x In	Ethercon RJ45, 1x In	Ethercon RJ45, 1x In	Ethercon RJ45, 1x In, 1x Thru	Ethercon RJ45, 1x In, 1x Thru
Flat, Boost, Low Cut, Remote	Flat, Monitor, Low Cut, Remote	Flat, Boost, Low Cut, Remote	Front, Cardioid 1:1 vertical, Cardioid 1:1 horizontal, Remote	Front, Cardioid 1:1 vertical, Cardioid 1:1 horizontal, Remote
DSP CONTROL (Windows, Mac OS)	DSP CONTROL (Windows, Mac OS)	DSP CONTROL (Windows, Mac OS)	DSP CONTROL (Windows, Mac OS)	DSP CONTROL (Windows, Mac OS)
Vollparametrischer 10-Band EQ mit variabler Filter-Charakteristik, High-Pass-Filter, Low-Pass-Filter, Polarität, Level, Delay, Limiter, Mute	Vollparametrischer 10-Band EQ mit variabler Filter-Charakteristik, High-Pass-Filter, Low-Pass-Filter, Polarität, Level, Delay, Limiter, Mute	Vollparametrischer 10-Band EQ mit variabler Filter-Charakteristik, High-Pass-Filter, Low-Pass-Filter, Polarität, Level, Delay, Limiter, Mute	Vollparametrischer 10-Band EQ mit variabler Filter-Charakteristik, Low-Pass-Filter, Polarität, Level, Delay, Limiter, Mute	Vollparametrischer 10-Band EQ mit variabler Filter-Charakteristik, Low-Pass-Filter, Polarität, Level, Delay, Limiter, Mute
48 kHz	48 kHz	48 kHz	48 kHz	48 kHz
Unter 2 ms	Unter 2 ms	Unter 2 ms	Unter 2 ms	Unter 2 ms
1x Kaltgeräteanschluss mit V-Lock Sicherungssystem, 100-240 V	1x Kaltgeräteanschluss mit V-Lock Sicherungssystem, 100-240 V	1x Kaltgeräteanschluss mit V-Lock Sicherungssystem, 100-240 V	1x Kaltgeräteanschluss mit V-Lock Sicherungssystem, 100-240 V	1x Kaltgeräteanschluss mit V-Lock Sicherungssystem, 100-240 V
1 A / 100–240 V Nenn-Stromverbrauch nach EN 62368-1	1 A / 100–240 V Nenn-Stromverbrauch nach EN 62368-1	1 A / 100–240 V Nenn-Stromverbrauch nach EN 62368-1	1 A / 100–240 V Nenn-Stromverbrauch nach EN 62368-1	1,9 A / 100–240 V Nenn-Stromverbrauch nach EN 62368-1
-	31°		-	-
DuoTilt 3°/7°	DuoTilt 3°/7°	DuoTilt 3°/7°	1x M20	1x M20
3x M8 (AP-8)	3x M8 (AP-8)	3x M8 (AP-8)	-	-
2x MultiGrip	2x MultiGrip, 1 x SingleGrip	2x MultiGrip	2x MultiGrip	2x MultiGrip
Hybrid (Birke-Multiplex/MDF)	Hybrid (Birke-Multiplex/MDF)	Hybrid (Birke-Multiplex/MDF)	Hybrid (Birke-Multiplex/MDF)	Birke-Multiplex
Acryllack, schwarz	Acryllack, schwarz	Acryllack, schwarz	Acryllack, schwarz	Acryllack, schwarz
2 mm Metallgitter mit schwarzem Akustikschaumstoff	2 mm Metallgitter mit schwarzem Akustikschaumstoff	2 mm Metallgitter mit schwarzem Akustikschaumstoff	2 mm Metallgitter mit schwarzem Akustikschaumstoff	2 mm Metallgitter mit schwarzem Akustikschaumstoff
37 x 67 x 36,5 cm 14-9/16 x 26-3/8 x 14-3/8"	45 x 68,5 x 42 cm 17-23/32 x 26-31/32 x 16-17/32"	44,8 x 70,7 x 44,75 cm 17-2/3 x 27-4/5 x 17-2/3"	48 x 53,5 x 67,5 cm 18-57/64 x 21-1/16 x 26-37/64"	55 x 56 x 68,5 cm 21-21/32 x 22-3/64 x 26-31/32"
21,9kg / 48.28 lbs	27,6 kg / 60.85 lbs	30,2 kg / 66,47 lbs	32,9 kg / 72.53 lbs	41,6 kg / 91.71 lbs

Consignes de sécurité importantes ! A lire avant de se connecter !

Ce produit a été construit conformément à la norme IEC 62368-1 par le fabricant et a quitté l'usine en bon état de marche. Pour garantir son intégrité et un fonctionnement sans risque, l'utilisateur se doit de suivre les conseils et les avertissements préconisés dans cette notice d'utilisation. En cas d'utilisation de ce produit dans un véhicule terrestre, un navire ou un avion, ou encore à une altitude supérieure à 2 000 mètres, il convient de prendre en considération les normes de sécurité suivantes, en plus de la norme IEC 62368-1.

ATTENTION : Afin d'éviter tout risque d'incendie et d'électrocution, n'exposez pas cet appareil à l'humidité ou à la pluie. N'ouvrez pas le boîtier ; les pièces se trouvant à l'intérieur ne nécessitent pas d'entretien de la part des utilisateurs. Adressez-vous à un spécialiste qualifié pour procéder à l'entretien de l'appareil.



Ce symbole, quel que soit l'endroit où il apparaît, vous signale des pièces sous tension non isolées dans le boîtier. Une tension suffisante pour présenter un risque d'électrocution.



Ce symbole, quel que soit l'endroit où il apparaît, vous signale des pièces sous tension accessibles depuis l'extérieur du boîtier. Tous les câbles extérieurs raccordés à un composant marqué de ce symbole doivent être de type préfabriqués et conformes aux spécifications du fabricant ou doivent avoir été installés par des spécialistes qualifiés.



Ce symbole, quel que soit l'endroit où il apparaît, vous signale des instructions importantes relatives à l'utilisation ou l'entretien de l'appareil à lire dans les documents l'accompagnant. Lisez la notice d'utilisation.



Ce symbole, quel que soit l'endroit où il apparaît, vous signale un risque de brûlure dû à une surface chaude. Ne touchez pas cette surface afin d'éviter de vous brûler.



Tous les appareils électriques et électroniques y compris les piles doivent être éliminés séparément des déchets ménagers auprès des points de collecte officiels prévus à cet effet.



Lisez ces instructions. Conservez ces instructions. Prenez en compte tous les avertissements et toutes les instructions mentionnés sur le produit ou dans cette notice d'utilisation.

- N'utilisez pas ce produit à proximité de l'eau. Ne le placez pas près de l'eau, d'une baignoire, d'un bassin, d'un évier, d'une surface humide, d'une piscine ou d'une pièce humide.
- Ne mettez pas d'objet contenant du liquide sur l'appareil, par exemple, un vase, un verre ou une bouteille, etc.
- Nettoyez-le exclusivement avec un chiffon sec.
- N'enlevez pas le boîtier, ne serait-ce que partiellement.
- La tension de fonctionnement de l'appareil doit être réglée de manière à correspondre à la tension d'alimentation de l'endroit où vous vous trouvez. Si vous n'êtes pas sûr de connaître la tension d'alimentation, demandez à votre revendeur ou à la compagnie d'électricité locale.
- Avant de brancher l'appareil, assurez-vous systématiquement que l'installation électrique (alimentation) dispose de systèmes de protection suffisants contre les courts-circuits et les erreurs de mise à la terre des appareils raccordés.
- Afin de réduire le risque d'électrocution, vous ne devez jamais supprimer la mise à la terre de l'appareil. Utilisez uniquement le câble d'alimentation fourni avec le produit et maintenez la broche centrale de la prise (mise à la terre) en état de fonctionnement. Ne négligez pas la sécurité offerte par les prises polarisées ou avec mise à la terre. Assurez-vous que l'appareil est bien raccordé à une prise disposant d'une terre de protection et que celle-ci est en ordre de marche.
- Protégez le câble d'alimentation afin d'éviter que quelqu'un marche dessus ou qu'il soit pincé, notamment près de la prise, de la prise murale ou à la sortie de l'appareil même ! Les câbles d'alimentation doivent être tout le temps maniés avec précaution. Vérifiez régulièrement que le câble n'est pas fendu ou qu'il ne présente pas de signe d'usure, en particulier près de la prise et à la sortie de l'appareil.
- N'utilisez jamais de câble d'alimentation usé.
- Débranchez l'appareil en cas d'orage ou si vous ne l'utilisez pas pendant une longue période.
- Débranchez l'appareil uniquement en le tenant par la prise au niveau de la prise murale ou de la rallonge. L'appareil doit être placé de telle manière à ce qu'il puisse être débranché facilement à tout moment.
- Les fusibles ne peuvent être remplacés que par des personnels qualifiés et uniquement sous réserve d'utiliser des pièces de type et de valeur nominale correctes.

• Confiez tous les travaux d'entretien à des spécialistes qualifiés. Il est nécessaire d'effectuer de tels travaux lorsque l'unité a été endommagée, comme par exemple dans les cas suivants :

- Lorsque le câble d'alimentation est endommagé ou effiloché.
- Si du liquide a pénétré ou un objet est tombé dans le boîtier.
- Si l'appareil a été exposé à la pluie ou à l'humidité.
- Si l'appareil ne fonctionne pas correctement alors que vous avez suivi toutes les instructions à la lettre.
- Si l'appareil est tombé ou que le boîtier est endommagé.
- En cas de raccordement de haut-parleurs à cet appareil, il faut veiller à ne pas descendre sous l'impédance minimale indiquée sur ledit appareil ou dans la présente notice. Les câbles employés doivent présenter une section suffisante, qui soit conforme aux réglementations locales en vigueur.
- Une température ambiante de 35° C ne doit pas être dépassée.
- Ne l'exposez pas directement aux rayons du soleil.
- Ne l'installez pas à proximité d'une source de chaleur, telle qu'un radiateur, une grille de chauffage, un four ou tout autre appareil susceptible de produire de la chaleur.
- Cet appareil est conçu pour une utilisation dans des zones climatiques modérées. Il n'est pas adapté pour une utilisation dans des pays à climat tropical.
- Ne masquez pas les bouches d'aération. Installez l'appareil conformément aux instructions du fabricant. Il ne doit pas être placé dans un emplacement confiné, comme un rack ou une console, sauf si une ventilation suffisante est garantie.
- Si vous déplacez l'appareil, attendez qu'il soit à température ambiante avant de le démarrer, sinon de la condensation peut se former à l'intérieur et endommager l'appareil.
- Ne posez pas de d'objet à flamme ouverte sur l'appareil, comme par exemple une bougie allumée.
- L'appareil doit être placé à au moins 20 cm/8" pouces du premier mur.
- Utilisez l'appareil uniquement avec un chariot, un support, un trépied, des fixations ou une table recommandés par le fabricant ou vendus avec le produit. Si vous utilisez un chariot, maniez-le avec précaution afin d'éviter tout risque de blessure s'il se renverse.
- Utilisez uniquement les accessoires recommandés par le fabricant. Cette consigne concerne toute sorte d'accessoires, qu'il s'agisse de couvercles de protection, de sacs de transport, de supports ou de dispositifs de fixation au mur ou au plafond. Si vous fixez un accessoire à l'appareil, suivez toujours les instructions d'utilisation du fabricant. N'utilisez pas d'autres points de fixation que ceux préconisés par le fabricant.
- Cet appareil NE convient PAS aux personnes dont les capacités motrices, sensorielles ou mentales sont déficientes (y compris les enfants) ou aux personnes ne disposant pas de l'expérience ou des connaissances nécessaires pour faire fonctionner le présent appareil. Cet appareil doit dans tous les cas et être tenu constamment hors de portée des enfants de moins de quatre ans.
- N'insérez jamais d'objets à travers les grilles du boîtier, car ils pourraient toucher des pièces sous tension dangereuses ou provoquer un court-circuit pouvant causer un risque d'incendie ou d'électrocution.
- Cet appareil est capable de délivrer un niveau de pression acoustique de 90 dB, pouvant ainsi causer des troubles irréversibles de l'audition ! L'exposition continue à une nuisance sonore peut provoquer une perte d'audition permanente. Portez des protections auditives adéquates si vous exposez de manière continue à un tel niveau de pression acoustique.
- Le fabricant garantit la sécurité, la fiabilité et l'efficacité de fonctionnement de son produit uniquement si :
 - l'assemblage, l'extension, le réajustement, la modification ou la réparation de l'appareil ont été effectués par le fabricant ou par des personnes agréées pour ce genre de travaux.
 - l'installation électrique concernée est conforme aux normes IEC (ANSI).
 - l'unité est utilisée conformément aux instructions d'utilisation.
- Ce produit a été optimisé pour une utilisation avec des signaux musicaux ou voix. Une utilisation avec des signaux sinusoidaux, rectangulaires ou autres signaux de mesure risque de l'endommager gravement.

Consignes de sécurité générales pour systèmes de haut-parleurs



Les systèmes de fixation doivent exclusivement être employés pour les systèmes de haut-parleurs fournis par le fabricant et avec les accessoires de montage tels qu'évoqués dans la notice de montage. Dans ce cadre, il convient de respecter scrupuleusement les indications de montage du fabricant. En cas d'utilisation non conforme d'accessoires ou d'installation d'accessoires de montage non d'origine, le dommage en résultant éventuellement ne sera pas couvert par la garantie et la responsabilité du fabricant ne pourra en aucun cas être engagée. Si des modifications sont apportées aux haut-parleurs, aux accessoires de montage, aux raccords et fixations ainsi qu'au matériel d'élingage, la portabilité du système ne pourra plus être garantie et la responsabilité du fabricant ne pourra en aucun cas être engagée.

Toute réparation d'éléments de sécurité ne peut être effectuée que par le fabricant ou son représentant agréé, faute de quoi le permis d'exploitation s'éteint.



L'installation sera exclusivement réalisée par un spécialiste, et ce, uniquement dans des zones de montage présentant une capacité de charge suffisante, un point à vérifier notamment par la prise en compte des normes de construction appliquées. Le matériel de fixation prescrit par le constructeur dans la notice de montage (vis, chevilles, etc.) doit impérativement être employé. Les raccords boulonnés doivent être assurés contre tout desserrement au moyen de mesures appropriées.



Les installations fixes ou mobiles (ici les haut-parleurs, accessoires de montage compris) doivent être assurés contre la chute par deux dispositifs indépendants l'un de l'autre. Les éléments supplémentaires lâches ou les pièces se desserrant doivent pouvoir être retenus par des dispositifs adaptés. En cas d'utilisation de raccords, d'éléments de fixation et de matériel d'élingage, il convient de respecter les dispositions nationales en la matière. Le calcul du dimensionnement des dispositifs de sécurité requiert la prise en compte des charges dynamiques possibles (forces de recul).



En cas d'utilisation de trépieds, il faut surtout prendre en considération la charge maximale supportée. En outre, de par leur conception, la plupart des trépieds permettent uniquement de supporter des charges parfaitement centrées. Les trépieds doivent dès lors être disposés de façon stable. Il est nécessaire d'assurer les trépieds par des mesures supplémentaires dans les cas suivants (liste non exhaustive) :

- lorsque leur surface de pose n'offre pas une stabilité suffisante ;
- lorsque leur hauteur limite leur stabilité ;
- lorsque la force du vent risque d'être élevée ;
- lorsqu'ils risquent d'être heurtés par des personnes.

Des mesures particulières peuvent également s'avérer nécessaires, à titre préventif, pour se prémunir contre des comportements dangereux de la part de spectateurs. Les trépieds ne doivent donc pas être disposés dans des voies d'évacuation ou des passages réservés aux secours. En cas d'installation sur des voies de circulation, veiller à respecter la largeur de circulation requise, à verrouiller le secteur de façon adaptée et à mettre en place la signalisation adéquate. Le montage et le démontage sont des phases qui présentent des risques particuliers. Il faut dès lors employer des moyens auxiliaires appropriés. Veiller également, lors de ces opérations, à respecter la législation nationale en la matière.



Lors du montage, il est indispensable de porter des équipements de sécurité adaptés (en particulier un casque, des gants et des chaussures de sécurité) et d'utiliser uniquement des dispositifs d'aide à l'ascension adaptés (échelles, échafaudages, etc.). La responsabilité dans ce domaine incombe uniquement à la société de montage exécutante.



ATTENTION ! À l'issue du montage, il y a lieu de contre-vérifier la fixation ou la suspension du système (haut-parleurs et supports). L'exploitant des systèmes de haut-parleurs (fixes ou mobiles) est tenu de vérifier, ou de faire vérifier, tous les composants du système en fonction des réglementations en vigueur dans le pays concerné, et de faire éliminer sans délai les éventuels défauts constatés.

En outre, nous recommandons fortement de constituer une documentation détaillée sur toutes les mesures d'inspection dans les registres de contrôle ou similaires.

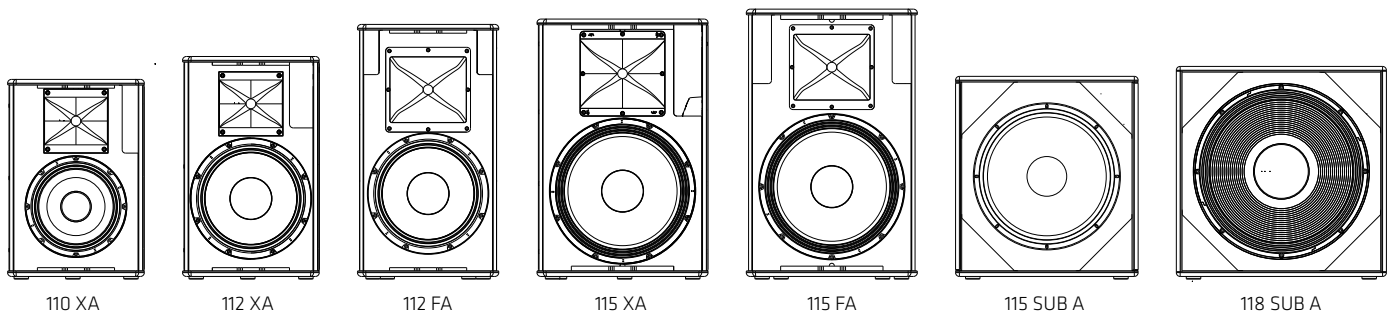
Dans ce cas, il convient en particulier de dimensionner avec des réserves de sécurité suffisantes les points de support de charge de systèmes suspendus. Veiller également, lors de ces opérations, à respecter la législation nationale en la matière.



Les systèmes de haut-parleurs professionnels sont capables de produire des niveaux sonores dangereux pour la santé. Même des niveaux sonores a priori inoffensifs peuvent, en cas d'exposition prolongée, provoquer des pertes auditives irréversibles (à partir de 95 dBA SPL environ) ! C'est pourquoi nous conseillons à toutes les personnes soumises à des niveaux sonores élevés en raison de l'exploitation de systèmes de haut-parleurs, de porter des protections auditives professionnelles (bouchons d'oreilles ou casques antibruit).

Fabricant : Stamer Musikanlagen GmbH, Magdeburger Str. 8, 66606 St. Wendel, Allemagne

LINEAR 5 MK II



110 XA

112 XA

112 FA

115 XA

115 FA

115 SUB A

118 SUB A

Bienvenue dans la famille HK Audio !

Nous vous remercions d'avoir choisi un produit de notre marque, conçu et fabriqué pour vous avec le plus grand soin.



Même si vous avez déjà une longue expérience des systèmes de sonorisation, ce produit se distinguera à coup sûr par des caractéristiques nouvelles pour vous. Ne mettez donc pas ce mode d'emploi de côté sans l'avoir lu et conservez-le pour une consultation ultérieure.

Nous vous souhaitons le meilleur des sons !

Votre équipe HK Audio



Remarque : le fonctionnement de ce produit peut être perturbé par les champs électromagnétiques puissants ou les décharges électrostatiques. Dans ce cas, il est possible de rétablir un fonctionnement normal en éteignant et en rallumant l'appareil. Si cela ne résout pas le problème, il conviendra d'éloigner l'appareil de la source d'interférence.

Garantie

Profitez du confort de l'enregistrement en ligne sur www.hkaudio.com.



<http://warranty.hkaudio.com>

L'enregistrement n'est valable que s'il est effectué dans les 30 jours qui suivent la date d'achat.

HK Audio

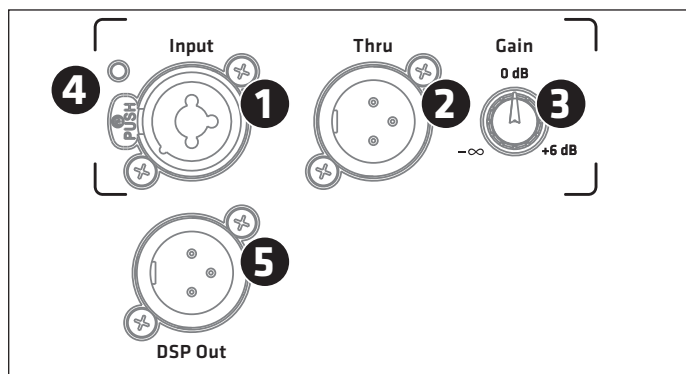
Service technique
Postfach 1509
66595 St. Wendel, Allemagne
Fax : +49 6851 905 100

1 Généralités

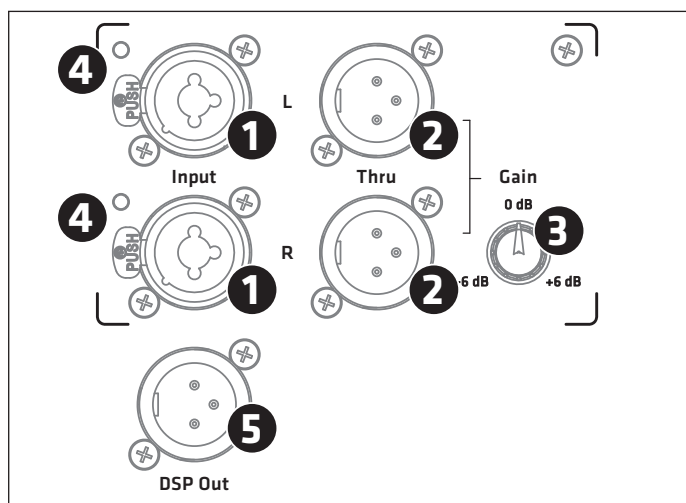
Détail de la livraison

Lorsque vous déballez votre enceinte LINEAR 5 MK II, veuillez vérifier que la livraison est complète. Le guide de prise en main et un câble d'alimentation sont inclus dans la livraison.

2 Prises et commandes



Modèles LINEAR 5 MKII XA/FA



Modèles LINEAR 5 MKII Sub A

1 Input

Entrée symétrique sur prise mixte XLR/jack pour signaux analogiques.

- Les modèles LINEAR 5 MK II XA/FA disposent d'un canal d'entrée.
- Les caissons de graves LINEAR 5 MK II 115 Sub A et LINEAR 5 MK II 118 Sub A disposent de deux entrées distinctes pour les signaux gauche et droit. Les deux canaux sont équivalents et comme ils subissent une sommation mono en sortie du préamplificateur, peu importe celui des deux canaux qui est connecté.

2 Thru

Sortie XLR symétrique raccordée en parallèle à la prise d'entrée (deux pour le caisson de graves), servant à renvoyer le signal reçu par l'entrée, que l'électronique soit activée ou non.

3 Gain

La commande de gain règle la préamplification du signal reçu par l'entrée.

- pour les modèles XA/FA, de $-\infty$ (Mute) à +6 dB
- pour le préamplificateur stéréo des caissons de graves, le réglage agit sur les deux canaux, de -6 à +6 dB

Dans les deux cas, la position centrale de la commande (clic du cran central) correspond à 0 dB.

Remarque : le signal produit par la sortie DSP Out n'est pas influencé par ce réglage.

4 LED d'entrée de signal / limiteur

Cette LED s'allume en vert lorsqu'un signal arrive à l'entrée, et en rouge dès que le limiteur entre en action ou que l'entrée est saturée. Un bref allumage intermittent de la LED en rouge témoigne de l'intervention du limiteur lors des pics de niveau. Si elle reste allumée en permanence en rouge, le niveau doit être réduit.

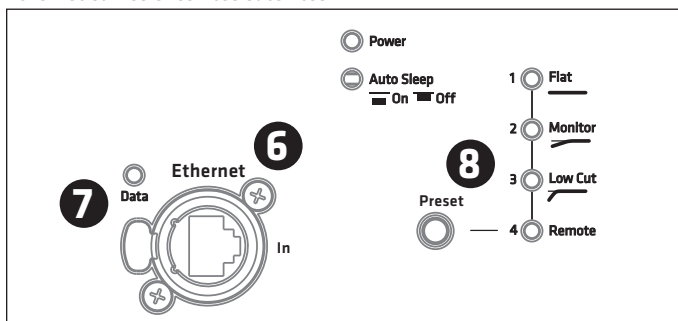
5 DSP Out

Prise XLR servant soit à la sortie du signal d'entrée analogique (reçu par la prise d'entrée), soit à la sortie d'un signal audio numérique reçu d'un réseau. Dans les deux cas, le signal peut être traité par le DSP interne.

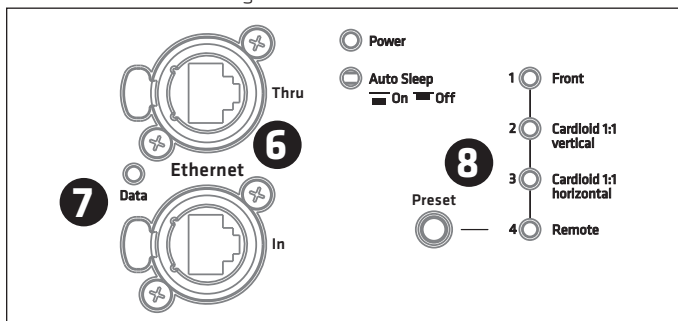
La sortie DSP Out constitue ainsi une interface réseau pour l'intégration d'une enceinte active supplémentaire, même si elle est initialement non compatible avec le réseau.

À la livraison, la sortie DSP Out produit le signal d'entrée non traité, indépendamment de la sélection du preset et de la position de la commande Gain.

Ethernet sur les enceintes satellites



Ethernet sur le caisson de graves



6 Ethernet In / Thru

La prise EtherCON sert à l'intégration dans un réseau. Elle est compatible avec les connecteurs RJ45 et EtherCON (NE8MX, NE8MX6, NE8MC). Les enceintes satellites disposent chacune d'une entrée Ethernet, les caissons de graves disposent en plus d'un renvoi Ethernet (Thru). Utilisez la prise Ethernet Thru des caissons pour renvoyer le signal du réseau.

Veuillez toujours utiliser des câbles S/STP ou S/FTP pour assurer la protection contre les interférences électromagnétiques. Nous recommandons l'utilisation de câbles CAT6. L'intégration dans un réseau et les fonctions

de commande à distance sont décrites dans un mode d'emploi distinct, disponible dans la section de téléchargement du LINEAR 5 MK II sur www.hkaudio.com. Vous trouverez une brève description des fonctions du DSP dans **8** Preset.

7 Data

Cette LED s'allume en orange lorsque des données transitent par la prise réseau.

8 Preset

Le sélecteur Preset permet de rappeler les presets (préréglages) configurés en usine ainsi qu'un preset personnel (« User ») configurable par l'utilisateur dans le logiciel de commande à distance DSP CONTROL. Appuyer sur le sélecteur permet de faire défiler les presets 1 à 4.

L'utilisation de presets personnels (4 Remote) est décrite dans un mode d'emploi distinct, disponible dans la section de téléchargement du LINEAR 5 MK II sur www.hkaudio.com.

Aperçu des presets :

	LINEAR 5 MK II 110 XA, 112 XA, 115 XA	LINEAR 5 MK II 112 FA, 115 FA	LINEAR 5 MK II 115 Sub A, 118 Sub A
1	Flat	Flat	Front
2	Monitor	Boost	Cardioid 1:1 vertical
3	Low Cut	Low Cut	Cardioid 1:1 horizontal
4	Remote (rappel des réglages enregistrés dans le logiciel de commande à distance HK Audio DSP CONTROL)		

Les presets d'usine des modèles LINEAR 5 MK II XA/FA :

Flat	Réponse en fréquence linéaire sur toute la bande passante
Monitor	Optimisé pour une utilisation en tant que retour de scène « bain de pied », corrige l'accentuation excessive des basses fréquences causée par le couplage avec le sol en réduisant leur niveau
Boost	Renforce les basses fréquences, par exemple en cas d'utilisation de façon autonome sans caisson de graves.
Low Cut	Optimisé à l'aide d'un filtre passe-haut pour une utilisation en tant qu'enceinte satellite avec le LINEAR 5 MK II 115 Sub A ou 118 Sub A

Les presets d'usine des modèles LINEAR 5 MK II 115 Sub A et 118 Sub A

Front	Pour une utilisation standard comme caisson de graves orienté vers l'avant
Cardioid 1:1 vertical	Pour le fonctionnement cardioïde de deux caissons de graves empilés l'un sur l'autre avec un caisson de graves LINEAR 5 MK II orienté vers l'avant (voir aussi le chapitre 4.2)
Cardioid 1:1 horizontal	Pour le fonctionnement cardioïde de deux caissons de graves placés côte à côte avec un caisson de graves LINEAR 5 MK II orienté vers l'avant (voir aussi chapitre 4.2)

Les presets d'usine 1 à 3 n'influencent que l'enceinte elle-même, pas la sortie DSP Out.

Remarque : en réseau, avec le logiciel de commande à distance DSP CONTROL connecté, la sortie DSP Out peut être configurée indépendamment des presets d'usine 1 à 3, même si ceux-ci sont utilisés. Pour en savoir plus, consultez le mode d'emploi propre au logiciel DSP CONTROL, que vous trouverez dans la section de téléchargement des produits LINEAR 5 MK II sur www.hkaudio.com.

Le preset Remote

Remote	Il permet le rappel d'un preset personnel préalablement enregistré par l'utilisateur dans DSP CONTROL, pour l'enceinte elle-même ainsi que pour la sortie DSP Out. Il n'est pas nécessaire pour cela que l'enceinte soit connectée au logiciel de commande à distance.
---------------	--

À la livraison, le preset Remote correspond au preset d'usine 1 (Flat/Front). **Fonctions du DSP disponibles dans le logiciel de commande à distance DSP CONTROL et qui peuvent être enregistrées dans un preset personnel par l'utilisateur :**

Égaliseur entièrement paramétrique à 10 bandes avec sélection des caractéristiques du filtre pour chaque bande de fréquence, filtres passe-haut et passe-bas entièrement paramétrables, limiteur, délai, polarité, niveau, coupure du son (mute).

Les paramètres peuvent être configurés indépendamment pour l'enceinte elle-même et pour la sortie DSP Out:



Capture d'écran du logiciel de commande à distance DSP CONTROL, disponible gratuitement dans la section de téléchargement des produits LINEAR 5 sur www.hkaudio.com. Les paramètres sont identiques pour « Speaker » (enceinte) et « DSP Out », mais peuvent être configurés indépendamment pour les deux grâce à la double fonctionnalité du DSP.

9 Power

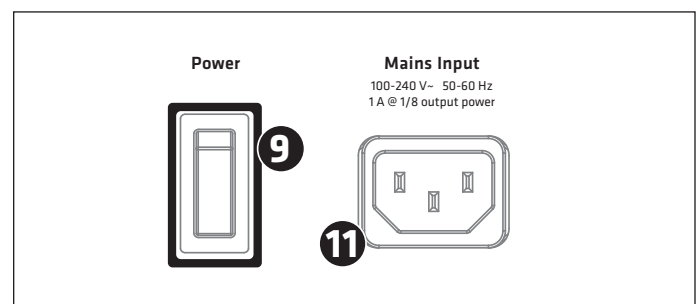
Le commutateur d'alimentation Power est un interrupteur à bascule. Quand il est enclenché, l'électronique est activée. Sinon, l'électronique est complètement déconnectée du réseau.

10 LED Power

Dès que l'électronique est alimentée en tension, cette LED s'allume en vert.

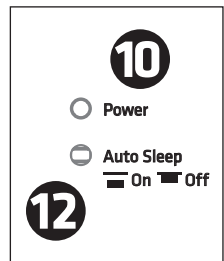
11 Mains Input

Le raccordement au secteur se fait par cette prise IEC 14 verrouillable. Le verrouillage du câble de connexion fourni empêche de le débrancher par inadvertance.



12 Auto Sleep

Ce commutateur encastré permet d'activer ou de désactiver la fonction Auto Sleep de mise en veille automatique qui permet d'économiser de l'énergie. La fonction Auto Sleep est activée en usine (commutateur enfoncé).

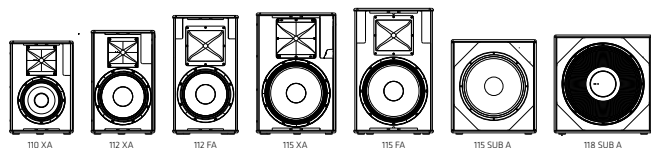


Cette fonction fait passer l'électronique en mode de veille automatique après 4,5 heures sans signal, sans réception de données par les prises réseau ni utilisation des touches et commandes. La réactivation de l'enceinte n'est possible qu'en éteignant et en rallumant cette dernière avec son commutateur d'alimentation ou en envoyant un signal audio analogique à son entrée.

Attention : la réactivation ne peut pas se faire par les prises réseau.

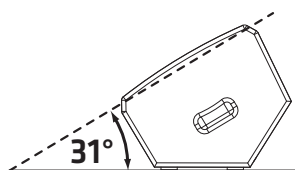
La désactivation de la fonction Auto-Sleep nécessite d'actionner son commutateur encastré (pour lui faire quitter sa position enfoncée).

3 Vue d'ensemble des différents modèles 110 XA, 112 XA, 112 FA, 115 XA, 115 FA, 115 Sub A, 118 Sub A



La série LINEAR 5 MK II se compose de cinq satellites et de deux caissons de graves :

LINEAR 5 MK II 110 XA, LINEAR 5 MK II 112 XA, LINEAR 5 MK II 112 FA, LINEAR 5 MK II 115 XA, LINEAR 5 MK II 115 FA, LINEAR 5 MK II 115 Sub A et LINEAR 5 MK II 118 Sub A. Les modèles multifonctions LINEAR 5 MK II 110 XA, LINEAR 5 MK II 112 XA et LINEAR 5 MK II 115 XA conviennent également à une utilisation comme retour de scène « bain de pied » grâce à leur forme à pan coupé permettant une inclinaison de 31°. Les modèles large bande LINEAR 5 MK II 112 FA et LINEAR 5 MK II 115 FA fournissent une pression acoustique supérieure dans les basses fréquences grâce au volume plus important de leur enceinte.



LINEAR 5 MK II
110 XA / 112 XA / 115 XA

Les LINEAR 5 MK II 110 XA et 112 XA sont équipées d'un pavillon à large dispersion sur 80° x 60° pour une diffusion homogène en champ proche. Le pavillon de la LINEAR 5 MK II 115 XA offre un angle de dispersion moyen de 70° x 50°, les LINEAR 5 MK II 112 FA et 115 FA utilisent un pavillon à diffusion plus étroite avec un angle de dispersion de 60° x 40°, afin de permettre de plus longues portées.

Les pavillons ne pouvant pas être tournés sans outils, ils sont donc moins prévus pour des ajustements réguliers que pour optimiser une enceinte en fonction de son utilisation principale.

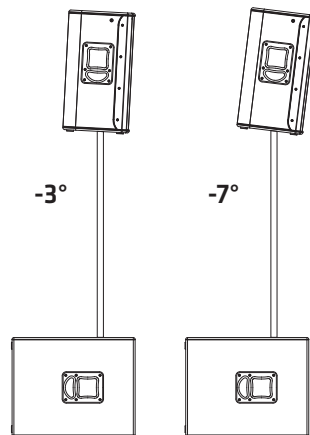
Conseil : en cas d'utilisation comme retour de scène « bain de pied », il n'est pas obligatoire de tourner le pavillon. Dans cette position, il est même bénéfique d'utiliser comme angle de diffusion horizontale l'angle de diffusion verticale plus étroit nécessaire à l'utilisation verticale. La zone de chevauchement avec les retours voisins est ainsi minimisée et le risque de Larsen peut être réduit grâce à une orientation plus précise.

4 Installation

4.1 Modèles XA/FA

Les enceintes satellites LINEAR 5 MK II peuvent être empilées sur des caissons de graves, montées sur des trépieds ou des mâts, installées avec des supports muraux, ou suspendues à l'aide des accessoires adaptés.

Installation avec le DuoTilt 3/7



Afin d'obtenir une distribution idéale du son, toutes les enceintes satellites sont équipées d'une embase spéciale HK Audio DuoTilt 3/7 pour les trépieds et mâts de 35 mm qui permet des angles d'inclinaison de -3° et -7°. Pour optimiser le centre de gravité de l'enceinte sur le trépied, l'embase DuoTilt 3/7 est positionnée près du baffle.

Généralités concernant le montage sur trépieds

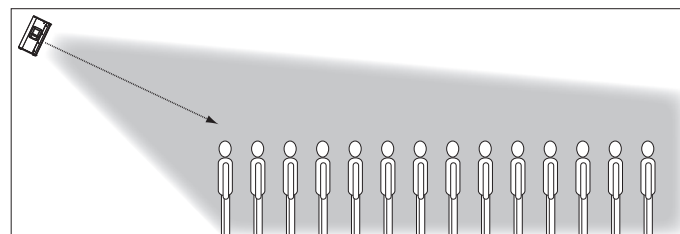
Remarque ! Veillez toujours à ce que le support soit bien stable et respectez les indications du fabricant concernant la charge maximale des trépieds.



Attention !

- Seuls peuvent être utilisés des trépieds garantissant la sécurité contre le basculement. Le trépied doit être conçu pour supporter le poids de l'enceinte. La hauteur maximale d'extension doit être limitée de manière à ce que l'ensemble trépied/enceinte ne bascule pas. Cela est valable pour une installation sur une surface plane et horizontale.
- En outre, en cas d'installation sur une surface inégale ou inclinée, il faut veiller à ce que la sécurité contre le basculement soit assurée, soit en lestant les pieds du trépied à l'aide de poids appropriés, soit par d'autres mesures de sécurité.
- L'utilisation avec d'autres dispositifs peut entraîner une instabilité susceptible de provoquer des blessures.

Suspension :



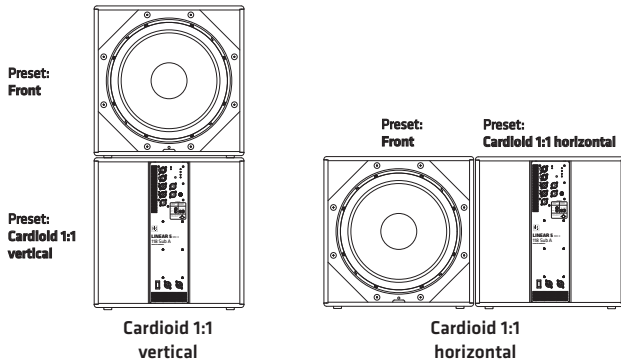
Les modèles XA et FA peuvent être suspendus par leurs points d'ancrage (élingues en acier ou chaînes fixés au point d'ancrage AP-8). Les modèles

112 FA, 115 FA et 115 XA peuvent en outre fonctionner suspendus en combinaison avec les étriers HK Audio TB-45N et TB-45NQ (modèle Q démontable avec goupilles de libération rapide).

4.2 LINEAR 5 MK II 115 Sub A et 118 Sub A

Les caissons de graves LINEAR 5 MK II peuvent en principe être gérés comme tout autre caisson de graves à rayonnement direct. Lors de l'utilisation en mode cardioïde, il est possible de les disposer soit l'un au-dessus de l'autre, soit l'un à côté de l'autre. Une distance d'au moins 1 mètre doit être respectée par rapport aux murs.

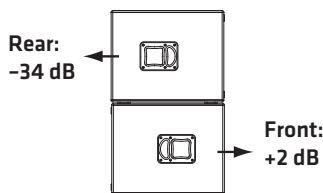
En mode cardioïde, deux montages sont possibles : Cardioid 1:1 vertical et Cardioid 1:1 horizontal – l'illustration suivante montre la vue de face (vue du public)



Le preset approprié peut être sélectionné à l'arrière du caisson de graves LINEAR 5 MK II. Voir également le chapitre 2, **8** Preset :

Preset Settings	
Cardioid 1:1 vertical Front Cardioid 1:1 vertical	Cardioid 1:1 horizontal Front Cardioid 1:1 horizontal

Dans les deux cas, la pression acoustique vers l'arrière est réduite de jusqu'à 34 dB, tandis que vers l'avant, elle est augmentée d'environ 2 dB.



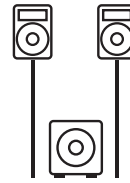
Quand une configuration cardioïde est-elle judicieuse ?

Alors que les moyennes et hautes fréquences sont directionnelles, la propagation des basses fréquences est sphérique. Cela engendre souvent un excès désagréable de basses fréquences sur et derrière la scène. Il est également de plus en plus courant que les organisateurs imposent des directives précises sur la répartition du son, par exemple pour les chapiteaux dans les centres-villes. Dans les basses, le moyen le plus efficace pour y parvenir fait appel à la technique cardioïde (annulation des fréquences émises vers l'arrière). Les caissons de graves LINEAR 5 MK II remplissent les conditions, tant sur le plan mécanique qu'avec leurs jeux de filtres dispo-

nibles, pour réaliser rapidement et facilement des configurations cardioïdes efficaces.

5 Exemples de systèmes

5.1 Montage en système stéréo 2.1



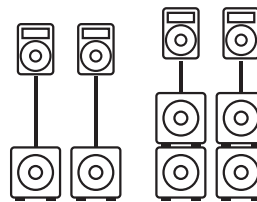
Grâce aux préamplis stéréo intégrés dans les caissons de graves LINEAR 5 MK II, il est possible de réaliser un élégant système 2.1 en envoyant les deux canaux (gauche et droite) dans un caisson de graves LINEAR 5 MK II et en le renvoyant aux satellites par ses prises Thru. Dans ce cas, les LINEAR 5 MK II 110 XA à diffusion large sont un complément idéal

Presets :

Satellites	Low Cut
Caisson de graves LI-NEAR 5 MK II	Front

Pour garantir une image sonore aussi homogène que possible, le caisson de graves doit être placé au centre, entre les deux satellites.

5.2 Montage sur mât



Au lieu de placer les satellites sur des trépieds, un mât à filetage M20 peut être vissé dans l'embase M20 du caisson de graves LINEAR 5 MK II.

Presets :

Satellites	Low Cut
Caisson de graves LI-NEAR 5 MK II	Front

5.3 Montage en empilage



Trois caissons de graves LINEAR 5 MK II empilés les uns sur les autres donnent une hauteur d'environ 1,65 m. Dans ce cas, les satellites peuvent être posés directement sur les caissons.

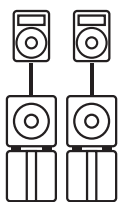
Presets :

Satellites	Low Cut
Caisson de graves LI-NEAR 5 MK II	Front



Remarque : un empilage ne doit être réalisé que par du personnel qualifié et en respectant les normes appropriées, comme l'arrimage avec des sangles sur des surfaces planes.

5.4 Montage en configuration cardioïde 1:1 verticale

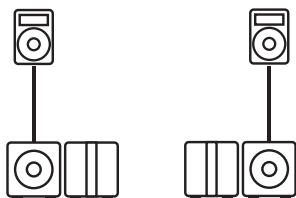


Système cardioïde avec mâts – les caissons de graves du dessous sont dirigés vers l'arrière.

Presets :

Satellites	Low Cut
Caisson de graves LINEAR 5 MK II	Front
Caisson de graves LINEAR 5 MK II	Cardioid 1:1 vertical

5.5 Montage en configuration cardioïde 1:1 horizontale



Système cardioïde avec caissons de graves juxtaposés – un des deux caissons est à chaque fois tourné vers l'arrière.

Presets :

Satellites	Low Cut
Caisson de graves LINEAR 5 MK II	Front
Caisson de graves LINEAR 5 MK II	Cardioid 1:1 horizontal

À compter de la page 42, vous trouverez des exemples détaillés de montage et de câblage pour l'utilisation de votre système LINEAR 5 MK II.

6 Accessoires optionnels de HK Audio

Pour tous les modèles LINEAR 5 MK II, HK Audio propose des housses qui protègent à la fois durant le transport et contre la pluie (pendant l'utilisation). Vous trouverez de plus amples informations sur www.hkaudio.com, dans la page des produits LINEAR 5 MK II.

7 Caractéristiques techniques

Modèle	LINEAR 5 MK II 110 XA	LINEAR 5 MK II 112 XA
SPL max. à 10% de DHT	126 dB en demi-espace (70 Hz – 12 kHz en moyenne)	128 dB en demi-espace (70 Hz – 12 kHz en moyenne)
SPL max. en crête à 10% de DHT	135 dB en demi-espace	136 dB en demi-espace
Réponse en fréquence +/-3 dB	74 Hz – 12 kHz	73 Hz – 12 kHz
Réponse en fréquence -10 dB	68 Hz – 19 kHz	67 Hz – 19 kHz
Puissance de l'étage de sortie (RMS / crête)	600 / 1 200 W	600 / 1 200 W
Type d'étage de sortie	Classe D – biamplifié	Classe D – biamplifié
Haut-parleur de basses	-	-
Haut-parleur de graves/médiums	1x 10" avec bobine mobile de 2"	1x 12" avec bobine mobile de 2,5"
Moteur d'aigus	1" avec bobine mobile de 1,4"	1" avec bobine mobile de 1,7"
Caractéristiques du pavillon	Pavillon à directivité constante 80° x 60°, pivotant	Pavillon à directivité constante 80° x 60°, pivotant
Fréquence de crossover actif	Crossover RIF 2,1 kHz, pente de 72 dB/oct.	Crossover RIF 1,9 kHz, pente de 72 dB/oct.
Niveau d'entrée max.	20 dBu	20 dBu
Entrées analogiques	1 entrée symétrique mixte XLR/jack	1 entrée symétrique mixte XLR/jack
Renvoi analogique (Thru)	1 XLR symétrique	1 XLR symétrique
DSP Out	1 XLR symétrique	1 XLR symétrique
Connexion réseau	EtherCON RJ45, 1 entrée	EtherCON RJ45, 1 entrée
Presets de filtres	Flat, Monitor, Low Cut, Remote	Flat, Monitor, Low Cut, Remote
Logiciel de commande à distance	DSP CONTROL (Windows, macOS)	DSP CONTROL (Windows, macOS)
Fonctions du DSP	EQ 10 bandes entièrement paramétrable avec caractéristique de filtre variable, filtre passe-haut, filtre passe-bas, polarité, niveau, délai, limiteur, mute	EQ 10 bandes entièrement paramétrable avec caractéristique de filtre variable, filtre passe-haut, filtre passe-bas, polarité, niveau, délai, limiteur, mute
Fréquence d'échantillonnage	48 kHz	48 kHz
Latence du système	Inférieure à 2 ms	Inférieure à 2 ms
Raccordement au secteur	1 connecteur IEC avec système de sécurité V-Lock, 100-240 V	1 connecteur IEC avec système de sécurité V-Lock, 100-240 V
Puissance absorbée	Consommation de courant nominale de 1 A / 100-240 V selon norme EN 62368-1	Consommation de courant nominale de 1 A / 100-240 V selon norme EN 62368-1
Angle de montage	31°	31°
Embase pour pied	DuoTilt 3°/7°	DuoTilt 3°/7°
Points d'ancrage	3x M8 (AP-8)	3x M8 (AP-8)
Poignées	1x SingleGrip	2x SingleGrip
Enceinte	Composite (contreplaqué de bouleau/MDF)	Composite (contreplaqué de bouleau/MDF)
Revêtement	Laque acrylique, noire	Laque acrylique, noire
Grille	Grille métallique de 2 mm avec mousse acoustique noire	Grille métallique de 2 mm avec mousse acoustique noire
Dimensions (L x H x P)	36 x 52,5 x 30 cm 14-1/16 x 20-43/64 x 11-1/16"	36 x 59 x 30,5 cm 14-1/16 x 23-15/64 x 12-1/32"
Poids	14,9 kg / 32,85 lbs	17,6 kg / 38,80 lbs

LINEAR 5 MK II 112 FA	LINEAR 5 MK II 115 XA	LINEAR 5 MK II 115 FA	LINEAR 5 MK II 115 Sub A	LINEAR 5 MK II 118 Sub A
128 dB en demi-espace (70 Hz – 12 kHz en moyenne)	130 dB en demi-espace (70 Hz – 12 kHz en moyenne)	130 dB en demi-espace (70 Hz – 12 kHz en moyenne)	127 dB en demi-espace (42 Hz – 100 Hz en moyenne)	129 dB en demi-espace (42 Hz – 100 Hz en moyenne)
135 dB en demi-espace	138 dB en demi-espace	138 dB en demi-espace	130 dB en demi-espace	131 dB en demi-espace
70 Hz – 12 kHz	64 Hz – 12 kHz	57 Hz – 12 kHz	44 Hz – Crossover	42 Hz – Crossover
55 Hz – 19 kHz	59 Hz – 19 kHz	54 Hz – 19 kHz	40 Hz – Crossover	38 Hz – Crossover
600 / 1 200 W	600 / 1 200 W	600 / 1 200 W	600 / 1 200 W	1 000 / 2 000 W
Classe D – bi-amplifié	Classe D – bi-amplifié	Classe D – bi-amplifié	Classe D	Classe D
-	-	-	1x 15" avec bobine mobile de 3"	1x 18" avec bobine mobile de 4"
1x 12" avec bobine mobile de 2,5"	1x 15" avec bobine mobile de 3"	1x 15" avec bobine mobile de 3"	-	-
1" avec bobine mobile de 1,7"	1" avec bobine mobile de 1,7"	1" avec bobine mobile de 1,7"	-	-
Pavillon à directivité constante 60° x 40°, pivotant	Pavillon à directivité constante 70° x 50°, pivotant	Pavillon à directivité constante 60° x 40°, pivotant	-	-
Crossover RIF 1,6 kHz, pente de 72 dB/oct.	Crossover RIF 1,6 kHz, pente de 72 dB/oct.	Crossover RIF 1,6 kHz, pente de 72 dB/oct.	-	-
20 dBu	20 dBu	20 dBu	20 dBu	20 dBu
1 entrée symétrique mixte XLR/ jack	1 entrée symétrique mixte XLR/ jack	1 entrée symétrique mixte XLR/ jack	2 entrées symétriques mixtes XLR/jack	2 entrées symétriques mixtes XLR/jack
1 XLR symétrique	1 XLR symétrique	1 XLR symétrique	2 XLR symétriques	2 XLR symétriques
1 XLR symétrique	1 XLR symétrique	1 XLR symétrique	1 XLR symétrique	1 XLR symétrique
EtherCON RJ45, 1 entrée	EtherCON RJ45, 1 entrée	EtherCON RJ45, 1 entrée	EtherCON RJ45, 1 entrée, 1 renvoi	EtherCON RJ45, 1 entrée, 1 renvoi
Flat, Boost, Low Cut, Remote	Flat, Monitor, Low Cut, Remote	Flat, Boost, Low Cut, Remote	Front, Cardioid 1:1 vertical, Cardioid 1:1 horizontal, Remote	Front, Cardioid 1:1 vertical, Cardioid 1:1 horizontal, Remote
DSP CONTROL (Windows, macOS)	DSP CONTROL (Windows, macOS)	DSP CONTROL (Windows, macOS)	DSP CONTROL (Windows, macOS)	DSP CONTROL (Windows, macOS)
EQ 10 bandes entièrement pa- ramétrable avec caractéristique de filtre variable, filtre passe- haut, filtre passe-bas, polarité, niveau, délai, limiteur, mute	EQ 10 bandes entièrement pa- ramétrable avec caractéristique de filtre variable, filtre passe- haut, filtre passe-bas, polarité, niveau, délai, limiteur, mute	EQ 10 bandes entièrement pa- ramétrable avec caractéristique de filtre variable, filtre passe- haut, filtre passe-bas, polarité, niveau, délai, limiteur, mute	EQ 10 bandes entièrement pa- ramétrable avec caractéristi- que de filtre variable, filtre passe-bas, polarité, niveau, délai, limiteur, mute	EQ 10 bandes entièrement pa- ramétrable avec caractéris- tique de filtre variable, filtre passe-bas, polarité, niveau, délai, limiteur, mute
48 kHz	48 kHz	48 kHz	48 kHz	48 kHz
Inférieure à 2 ms	Inférieure à 2 ms	Inférieure à 2 ms	Inférieure à 2 ms	Inférieure à 2 ms
1 connecteur IEC avec système de sécurité V-Lock, 100-240 V	1 connecteur IEC avec système de sécurité V-Lock, 100-240 V	1 connecteur IEC avec système de sécurité V-Lock, 100-240 V	1 connecteur IEC avec système de sécurité V-Lock, 100-240 V	1 connecteur IEC avec système de sécurité V-Lock, 100-240 V
Consommation de courant nominale de 1 A / 100-240 V selon norme EN 62368-1	Consommation de courant nominale de 1 A / 100-240 V selon norme EN 62368-1	Consommation de courant nominale de 1 A / 100-240 V selon norme EN 62368-1	Consommation de courant nominale de 1 A / 100-240 V selon norme EN 62368-1	Consommation de courant nominale de 1,9 A / 100-240 V selon norme EN 62368-1
-	31°		-	-
DuoTilt 3°/7°	DuoTilt 3°/7°	DuoTilt 3°/7°	1x M20	1x M20
3x M8 (AP-8)	3x M8 (AP-8)	3x M8 (AP-8)	-	-
2x MultiGrip	2x MultiGrip, 1 x SingleGrip	2x MultiGrip	2x MultiGrip	2x MultiGrip
Composite (contreplaqué de bouleau/MDF)	Composite (contreplaqué de bouleau/MDF)	Composite (contreplaqué de bouleau/MDF)	Composite (contreplaqué de bouleau/MDF)	Contreplaqué de bouleau
Laque acrylique, noire	Laque acrylique, noire	Laque acrylique, noire	Laque acrylique, noire	Laque acrylique, noire
Grille métallique de 2 mm avec mousse acoustique noire	Grille métallique de 2 mm avec mousse acoustique noire	Grille métallique de 2 mm avec mousse acoustique noire	Grille métallique de 2 mm avec mousse acoustique noire	Grille métallique de 2 mm avec mousse acoustique noire
37 x 67 x 36,5 cm 14-9/16 x 26-3/8 x 14-3/8"	45 x 68,5 x 42 cm 17-23/32 x 26-31/32 x 16-17/32"	44,8 x 70,7 x 44,75 cm 17-2/3 x 27-4/5 x 17-2/3"	48 x 53,5 x 67,5 cm 18-57/64 x 21-1/16 x 26-37/64"	55 x 56 x 68,5 cm 21-21/32 x 22-3/64 x 26-31/32"
21,9 kg / 48,28 lbs	27,6 kg / 60,85 lbs	30,2 kg / 66,47 lbs	32,9 kg / 72,53 lbs	41,6 kg / 91,71 lbs

Istruzioni di sicurezza importanti.

Leggere prima di effettuare il collegamento!

Il presente prodotto è stato fabbricato dal produttore in conformità alla norma IEC 62368-1 ed è uscito dallo stabilimento in perfette condizioni di funzionamento. Per preservare tali condizioni e garantirne l'uso sicuro, l'utente deve attenersi alle indicazioni e alle avvertenze riportate nelle istruzioni per l'uso. Se volete usare questo prodotto su veicoli, a bordo di navi o di aerei oppure ad altitudini superiori a 2000 m dovete badare alle rispettive norme di sicurezza suppletive alla norma IEC 62368-1.

AVVISO: Per evitare il rischio di incendio o folgorazione, non esporre l'apparecchio ad umidità o pioggia. Non aprire l'involucro poiché al suo interno non vi sono parti riparabili dall'utente. Per la riparazione rivolgersi a personale tecnico qualificato.



Questo simbolo segnala la presenza all'interno dell'involucro di tensione pericolosa priva di isolamento sufficientemente alta da costituire un pericolo di folgorazione.



Questo simbolo segnala la presenza di tensione pericolosa accessibile dall'esterno. Il cablaggio esterno collegato ad un qualunque morsetto contrassegnato da questo simbolo deve essere un cavo preconfezionato conforme ai requisiti indicati dal produttore o un cablaggio installato da personale qualificato.



Questo simbolo segnala importanti istruzioni per l'uso e la manutenzione nella documentazione allegata. Leggere il manuale.



Questo simbolo ha il seguente significato: Attenzione! Superficie calda! Non toccare per evitare scottature.



Apparecchiature elettriche o elettroniche di qualsiasi tipo, batterie incluse, non appartengono nell'immondizia - smaltite questo tipo di rifiuti presso gli ufficiali centri di raccolta.



Leggere queste istruzioni. Conservare queste istruzioni. Attenersi a tutti gli avvisi e istruzioni riportati sul prodotto e nel manuale.

- Non utilizzare il prodotto vicino all'acqua. Non collocare il prodotto vicino ad acqua, vasche, lavandini, zone umide, piscine o stanze con presenza di vapore.
- Non collocare sul prodotto oggetti contenenti liquidi, quali vasi, bicchieri, bottiglie ecc.
- Pulire solo con un panno asciutto.
- Non togliere alcun coperchio o parti dell'involucro.
- La tensione di esercizio prescritta per il prodotto deve corrispondere alla tensione di alimentazione della rete locale. In caso di dubbi sul tipo di alimentazione disponibile, rivolgersi al proprio rivenditore o all'azienda di fornitura elettrica locale.
- Prima di collegare l'apparecchio, verificate che l'impianto elettrico sia munito di adatti dispositivi di protezione contro corto circuito e errori della messa a terra in apparecchi collegati.
- Per ridurre il rischio di folgorazione, la messa a terra del prodotto deve essere mantenuta. Utilizzare solo il cavo di alimentazione in dotazione al prodotto e mantenere sempre in funzione il connettore centrale (di terra) del collegamento alla rete. Non escludere la funzione di sicurezza del connettore polarizzato o di messa a terra. Collegare l'apparecchio soltanto a prese di corrente con messa in terra conforme alle norme vigenti.
- Proteggere il cavo di alimentazione affinché non venga calpestato o pizzicato, in particolare in corrispondenza delle prese e degli innesti e nel punto di uscita dal dispositivo. Maneggiare sempre con cura i cavi di alimentazione. Controllare periodicamente la presenza di tagli o usura sui cavi, soprattutto all'altezza della presa e nel punto di uscita dal dispositivo.
- Non utilizzare mai il cavo di alimentazione se danneggiato.
- Scollegare il prodotto in caso di temporale o di lunghi periodi di inutilizzo.
- Il prodotto si scollega completamente dall'alimentazione di rete solo staccando la spina di alimentazione dall'unità o dalla presa a muro. Il prodotto va collocato sempre in modo che sia possibile scollegarlo dall'alimentazione con facilità.
- Fate sostituire i fusibili soltanto da un tecnico qualificato e usate solamente fusibili dal corretto tipo e valore nominale.

• Per tutte le operazioni di riparazione, rivolgersi a personale qualificato. L'unità va riparata nel caso abbia subito danni, come nei seguenti casi:

- Il cavo o la presa di alimentazione sono danneggiati o usurati.
- È penetrato del liquido o degli oggetti all'interno del prodotto.
- Il prodotto è stato esposto a pioggia o umidità.
- Il prodotto non funziona correttamente seguendo le istruzioni.
- Il prodotto ha subito una caduta o l'armadio è stato danneggiato.
- Quando collegate altoparlanti badate di non scendere sotto l'impedenza minima dichiarata sull'apparecchio oppure in questo manuale. Usate sempre cavi dello spessore adatto e corrispondenti alle vigenti norme locali.
- Non si deve superare una temperatura ambiente di 35° C.
- Non esporre ai raggi solari diretti.
- Non installare accanto a fonti di calore quali radiatori, bocchette di diffusione d'aria calda, fornelli o altri dispositivi che generano calore.
- Apparecchiature elettriche o elettroniche di qualsiasi tipo, batterie incluse, non appartengono nell'immondizia - smaltite questo tipo di rifiuti presso gli ufficiali centri di raccolta.
- Non chiudere le aperture di ventilazione. Installare l'unità seguendo le istruzioni fornite dal produttore. Il prodotto non è adatto all'installazione ad incasso, ad esempio in un rack, a meno di non garantire un'adeguata ventilazione.
- Quando viene spostato all'interno di un locale, attendere sempre che il dispositivo, se freddo, raggiunga la temperatura ambiente. Qualora venga utilizzato senza che si sia riscaldato, sussiste il rischio di formazione di condensa al suo interno e di conseguenti danni.
- Non collocare sul prodotto fiamme libere, come ad esempio candele accese.
- Il dispositivo va collocato ad almeno 20 cm/8" di distanza dalle pareti.
- Utilizzare solo in abbinamento al carrello, supporto, piedistallo, staffa o tavola specificati dal produttore o venduti insieme al prodotto. Qualora si utilizzi un carrello, prestare attenzione nello spostare il carrello/la combinazione di prodotto per evitare lesioni causate dall'inciampamento.
- Utilizzare solo accessori consigliati dal produttore. Tale prescrizione si applica a tutti i tipi di accessori, ad esempio coperchi di protezione, borse per il trasporto, supporti, dispositivi per il montaggio a parete o a soffitto, ecc. In caso di applicazione di qualsiasi tipo di accessorio al prodotto, osservare sempre le istruzioni per l'uso fornite dal produttore. Non utilizzare mai punti di fissaggio sul prodotto diversi da quelli indicati dal produttore.
- Questo apparecchio NON è adatto all'uso da parte di persone (compresi i bambini) con capacità fisiche, mentali o sensoriali limitate o da persone prive della necessaria esperienza e/o conoscenza. Tenere sempre l'apparecchio al di fuori della portata dei bambini di età inferiore ai 4 anni.
- Non inserire mai oggetti di alcun tipo all'interno del prodotto attraverso le fessure dell'armadio, poiché potrebbero toccare punti con presenza di tensione pericolosa o causare il cortocircuito dei componenti, con il conseguente rischio di incendio o folgorazione.
- Questo prodotto genera livelli di pressione sonora superiori a 90 dB in grado di causare danni permanenti all'udito. L'esposizione a livelli di rumore estremamente elevati può causare la perdita permanente dell'udito. In caso di esposizione continua, indossare protezioni per l'udito.
- Il produttore garantisce la sicurezza, l'affidabilità e l'efficienza del prodotto solo se:
 - l'assemblaggio, l'ampliamento, la reimpostazione, le modifiche o le riparazioni sono eseguiti dal produttore o da personale autorizzato.
 - l'impianto elettrico dell'area interessata è conforme ai requisiti specificati nelle norme IEC (ANSI).
 - l'unità è utilizzata secondo le istruzioni per l'uso.
- Questo prodotto è stato concepito per un'ottima riproduzione di segnali vocali e musicali. Una riproduzione di segnali sinusoidali, onde quadre o altri segnali di misurazione a livelli elevati può gravemente danneggiare l'apparecchio.

Avvisi di sicurezza per sistemi di altoparlanti



Usate soltanto sistemi di montaggio autorizzati dal produttore per il rispettivo sistema di altoparlanti. Seguite attentamente le istruzioni di montaggio ed usate soltanto accessori di montaggio omologati. È escluso qualsiasi diritto di garanzia in caso di montaggio improprio o se vengono usati accessori di montaggio non omologati. Modificazioni agli altoparlanti, agli accessori di montaggio, agli elementi di connessione e di fissaggio e alle imbracature potrebbero alterare la stabilità del sistema e faranno decadere ogni forma di garanzia.

La riparazione di componenti rilevanti dal punto di vista della sicurezza deve venir eseguita soltanto dal produttore o da un suo rappresentante autorizzato - altrimenti decadrà ogni forma di garanzia.



L'installazione deve venir eseguita soltanto da personale competente. Usate soltanto punti di montaggio con una sufficiente capacità portante, considerando eventuali vincoli architettonici. È assolutamente obbligatorio di usare il materiale di fissaggio (viti, tasselli ecc.) indicato nelle istruzioni di montaggio del produttore. Adottate provvedimenti adatti (frenafili, dadi autobloccanti) per prevenire un allentamento dei raccordi filettati.



Assicurate installazioni stazionarie e/o mobili (in questo caso gli altoparlanti e gli accessori di montaggio) contro una caduta dall'alto con due dispositivi indipendenti. Provvedete ad installare dispositivi adatti per cogliere ogni elemento allentato prima che questo possa cadere in terra. Assicuratevi che gli elementi di montaggio e di fissaggio e le imbracature vengano scelti e montati nel rispetto delle normative nazionali e locali vigenti. Tenete conto dei carichi dinamici (forze di trazione-compressione) per calcolare le dimensioni dei dispositivi di sicurezza.



Se usate stativi, badate che non venga oltrepassato il loro carico massimo ammissibile. Badate inoltre che, per motivi costruttivi, gli stativi di solito sono concepiti ed omologati soltanto per portare un carico centrato. Gli stativi devono essere posizionati in modo sicuro e stabile. Provvedete ad assicurare (o meglio ancora fissare) gli stativi se per esempio:

- la loro superficie di appoggio non consenta un posizionamento stabile,

- la loro altezza limita la stabilità,

- si potrebbero manifestare venti forti,

- potrebbero essere rovesciate da persone.

Prendete provvedimenti contro ogni forma di comportamento rischioso da parte degli spettatori. È vietato posare stativi che ingombrano le vie di fuga e l'accesso soccorsi. Se volete posare stativi in una via di comunicazione, verificate prima che la larghezza della via lo consenta e badate in ogni caso ad una protezione (transenne, cordone ecc.) e ad una segnalazione adeguata. Il montaggio e smontaggio degli altoparlanti significa un rischio elevato. Utilizzate sempre l'attrezzatura adatta e assicuratevi che le attività vengano svolte nel rispetto delle normative nazionali in vigore.



Durante il montaggio, indossate sempre indumenti protettivi appropriati (casco, guanti, calzature di sicurezza) ed usate soltanto mezzi di salita adatti e sicuri (scala, ponteggio ecc.). Il rischio è a esclusivo carico della ditta o del tecnico che esegue i lavori di montaggio.



ATTENZIONE! Verificate dopo il montaggio del sistema di altoparlanti che il montaggio e cablaggio sia avvenuto in modo corretto e che tutte le giunzioni siano stabili.

L'operatore di un sistema di altoparlanti (stazionario o mobile) è obbligato a controllare o a fare controllare regolarmente ogni componente del sistema nel rispetto delle normative nazionali e locali in vigore e a fare riparare ogni danno immediatamente.

Vi consigliamo di documentare meticolosamente ogni missione di controllo in un libretto di controllo.

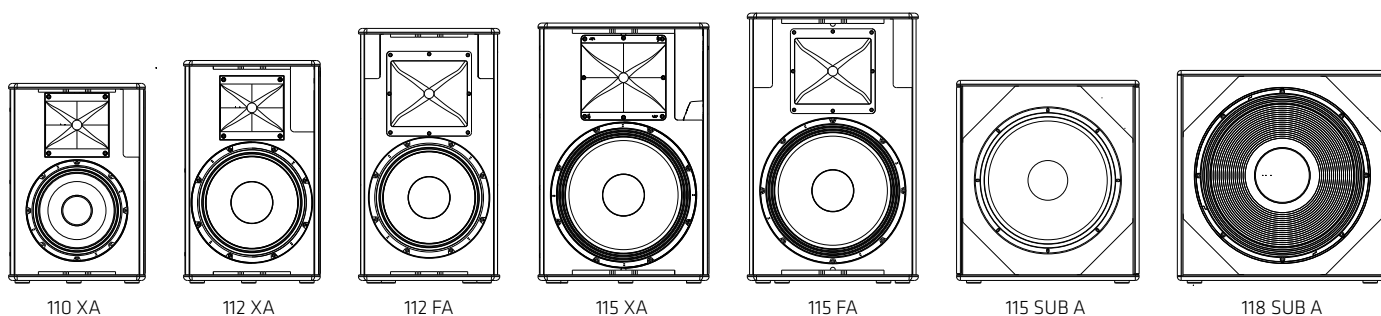
Badate a dimensionare i punti di sollevamento per un montaggio in sospensione prendendo in considerazione una sufficiente riserva di sicurezza. Assicuratevi che tutto avvenga nel rispetto delle normative nazionali in vigore.



I sistemi di sonorizzazione professionali sono in grado di produrre livelli sonori nocivi alla salute. Anche essere sottoposto a livelli apparentemente inoffensivi (a partire da circa 95 dBA SPL) per un elevato periodo di tempo può provocare perdite dell'udito. Quindi consigliamo che ogni persona sottoposta ad alti livelli sonori provenienti da un sistema di sonorizzazione porti un'adatta protezione per l'udito (tappi auricolari o paraorecchie).

Produttore: Stamer Musikanlagen GmbH, Magdeburger Str. 8, 66606 St. Wendel, Germania

LINEAR 5 MK II



110 XA

112 XA

112 FA

115 XA

115 FA

115 SUB A

118 SUB A

Benvenuti nella famiglia HK Audio!

Grazie per aver scelto un prodotto di marca concepito e fabbricato nella nostra casa secondo i nostri meticolosi criteri di qualità.



Anche se siete un utente esperto di sistemi di sonorizzazione - questo prodotto vi offrirà alcuni aspetti che saranno nuovi per voi. Per questo vi preghiamo di non ignorare questo manuale e di conservarlo in un luogo sicuro per averlo sempre a disposizione.

Vi auguriamo il migliore suono in qualsiasi situazione!

Il vostro team HK Audio



Avviso: Forti campi elettromagnetici o scariche elettrostatiche possono disturbare la funzione del prodotto. In questo caso, basta spegnere e riaccendere il prodotto per farlo funzionare nuovamente. Se questo non aiuta a risolvere il problema, è necessario allontanare il dispositivo dalla sorgente di disturbo.

Garanzia

Il modo più veloce e confortevole: la registrazione online sul nostro sito www.hkaudio.com.



<http://warranty.hkaudio.com>

La registrazione è valida soltanto se avviene su internet ed entro 30 giorni dalla data d'acquisto.

HK Audio

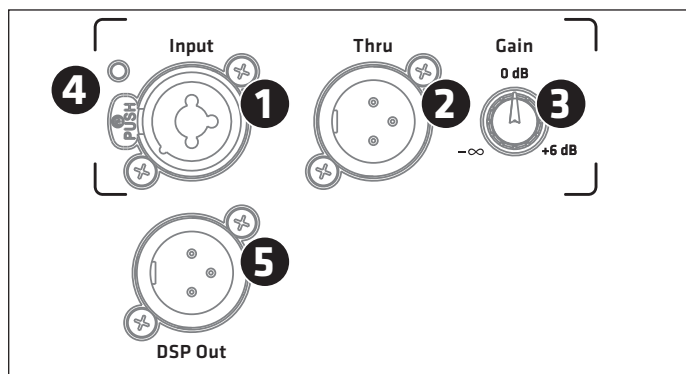
Technischer Service (servizio tecnico)
Postfach 1509
66595 St. Wendel, Germania
Fax: +49 6851 905 100

1 Generale

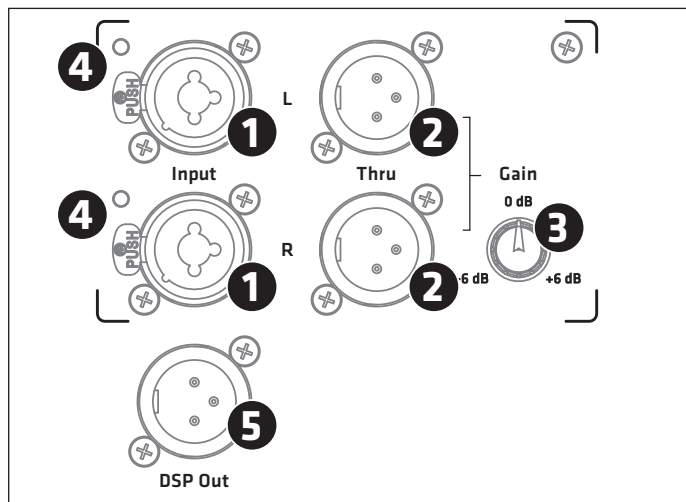
Contenuto della fornitura

Durante il disimballaggio del diffusore LINEAR 5 MK II, verificare che il contenuto sia completo. La fornitura comprende la guida rapida e un cavo di alimentazione.

2 Collegamenti ed elementi di comando



Modelli LINEAR 5 MKII XA/FA



Modelli LINEAR 5 MKII Sub A

1 Input

Presca combinata XLR/jack, ingresso bilanciato per segnali analogici.

- I modelli LINEAR 5 MK II XA/FA dispongono di un canale di ingresso.
- I subwoofer LINEAR 5 MK II 115 Sub A e LINEAR 5 MK II 118 Sub A sono dotati di due ingressi separati per i segnali sinistro e destro. Entrambi i canali sono identici e vengono sommati dopo la preamplificazione, quindi in modalità mono non ha importanza quale dei due canali sia collegato.

2 Thru

Uscita XLR bilanciata (due sul subwoofer) collegata in parallelo alla presa di ingresso per inoltrare il segnale di ingresso presente nell'input, indipendentemente dal fatto che l'impianto elettronico sia abilitato o meno.

3 Gain

Il controller del gain regola la preamplificazione del segnale presente nell'input.

- Per i modelli XA/FA -∞ (Mute) fino a +6 dB
- Per il preamplificatore stereo del subwoofer, il controller si applica a entrambi i canali. In questo caso la gamma di controllo è compresa tra -6 a +6 dB

La posizione centrale del controller (clic centrale) corrisponde in entrambi i casi a 0 dB.

Avviso: Il segnale presente su DSP Out non viene influenzato da questo controller.

4 LED Input/Limiter

Questo LED diventa verde quando è presente un segnale nell'input ed è rosso non appena il limitatore è attivo o l'ingresso viene sovraccaricato. Se il LED è in rosso lampeggiante, allora indica che il limitatore sta operando sui picchi di segnale. Se diventa rosso fisso, allora è necessario diminuire il gain.

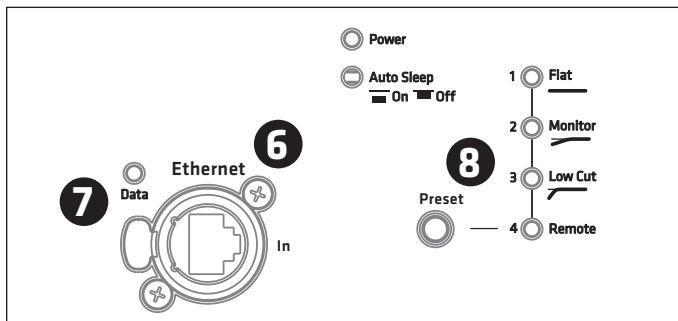
5 DSP Out

Presca XLR utilizzata per emettere il segnale di input analogico (proveniente dalla presa di ingresso) o per emettere un segnale audio digitale alimentato tramite una rete. In entrambi i casi il segnale può essere processato con il DSP interno.

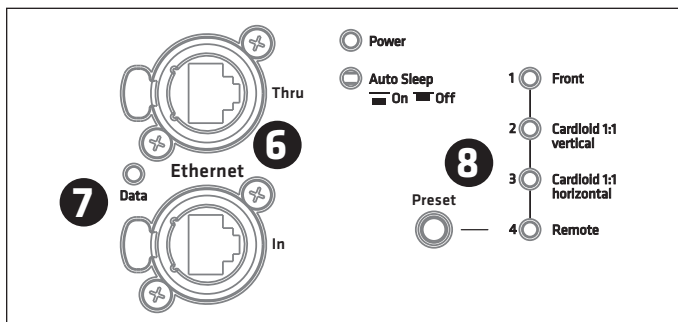
Pertanto il DSP Out rappresenta un'interfaccia di rete per l'integrazione di una cassa attiva supplementare che per impostazione predefinita non è compatibile con la rete.

Allo stato di consegna, è presente sul DSP Out il segnale di ingresso non elaborato, indipendentemente dalla selezione del preset e da dove è posizionato il controller del Gain.

Satelliti Ethernet



Subwoofer ethernet



6 Ethernet In / Thru

La presa EtherCON viene utilizzata per l'integrazione in una rete. È compatibile con connettori RJ45 ed EtherCon (NE8 MX, NE8 MX6, NE 8 MC). I satelliti dispongono rispettivamente di un Ethernet In e in più i subwoofer hanno anche un Ethernet Thru. Per i bassi utilizzare la presa Ethernet Thru per inoltrare il segnale di rete.

Utilizzare sempre cavi S/STP o S/FTP per proteggersi dalle interferenze elettromagnetiche. Consigliamo a tale proposito l'uso di cavi CAT6. L'integrazione in una rete e le funzioni di controllo da remoto sono descritte in

un manuale disponibile separatamente nell'area download di LINEAR 5 MK II su www.hkaudio.com. Per una breve descrizione delle funzioni DSP, vedere

8 Preset.

7 Data

Questo indicatore LED si illumina di arancione quando i dati passano attraverso la presa di rete.

8 Preset

Il selettore Preset permette di accedere ai preset di fabbrica preimpostati e a un preset User configurabile tramite il software di controllo remoto DSP CONTROL. Premendo una volta il selettore potete scorrere i preset da 1 a 4. L'uso dei preset User (4 Remote) è descritto in un manuale operativo separato, disponibile nell'area download di LINEAR 5 MK II su www.hkaudio.com.

Panoramica dei preset:

	LINEAR 5 MK II 110 XA, 112 XA, 115 XA	LINEAR 5 MK II 112 FA, 115 FA	LINEAR 5 MK II 115 Sub A, 118 Sub A
1	Flat	Flat	Front
2	Monitor	Boost	Cardioid 1:1 vertical
3	Low Cut	Low Cut	Cardioid 1:1 horizontal
4	Remote (richiama le impostazioni salvate tramite il software per il controllo da remoto HK Audio DSP CONTROL)		

I preset di fabbrica dei modelli LINEAR 5 MK II XA/FA:

Flat	Risposta in frequenza lineare sull'intera gamma di riproduzione
Monitor	ottimizzato per l'uso come monitor da palcoscenico trasversale, corregge l'eccessiva enfasi sulla gamma delle basse frequenze causata dall'accoppiamento a terra mediante riduzione del segnale
Boost	enfattizza la gamma delle basse frequenze, ad esempio se utilizzato in modalità stand-alone senza subwoofer.
Low Cut	ottimizzato per l'uso come satellite in connessione con LINEAR 5 MKII 115 Sub A o 118 Sub A con l'ausilio di un filtro passa-alto

I preset di fabbrica del LINEAR 5 MK II 115 Sub A e 118 Sub A

Front	Per il funzionamento standard come subwoofer rivolto in avanti
Cardioid 1:1 vertical	Per il funzionamento cardioidi di due subwoofer impilati con un subwoofer LINEAR 5 MKII rivolto in avanti. (si veda anche il capitolo 4.2)
Cardioid 1:1 horizontal	Per il funzionamento cardioidi di due subwoofer adiacenti con un subwoofer LINEAR 5 MKII rivolto in avanti (si veda anche il capitolo 4.2)

I preset di fabbrica da 1 a 3 riguardano solo la stessa cassa, non il DSP Out.

Avviso: Nella rete con il software di controllo remoto DSP CONTROL già collegato è possibile collegare il DSP Out indipendentemente da questi preset di fabbrica, anche quando si utilizzano i preset di fabbrica da 1 a 3. Per saperne di più a tale riguardo, consultare il manuale separato per DSP CONTROL, reperibile nell'area download dei prodotti LINEAR 5 MK II su www.hkaudio.com.

Il preset Remote

Remote	Qui è possibile accedere a un preset User salvato in precedenza tramite DSP CONTROL per la cassa stessa ma anche per il DSP Out. Per questo motivo la cassa non deve essere collegata al software di controllo remoto.
--------	--

Alla consegna, il preset Remote corrisponde al preset di fabbrica 1 (Flat/ Front).

Funzioni DSP disponibili tramite il software remoto DSP CONTROL che possono essere salvate come preset User:

EQ a 10 bande completamente parametrico con caratteristiche del filtro selezionabili per banda di frequenza, filtri passa-alto e passa-basso rispettivamente con caratteristiche del filtro selezionabili:
 Limiter, Delay, Polarità, Livello, Mute.

È possibile configurare i parametri indipendentemente per la stessa cassa e per il DSP Out:



Screenshot del software di controllo remoto DSP CONTROL, disponibile gratuitamente nell'area download dei prodotti LINEAR 5 su www.hkaudio.com. I parametri per "Speaker" e "DSP Out" sono identici, ma possono essere configurati indipendentemente grazie al DSP raddoppiato.

9 Power

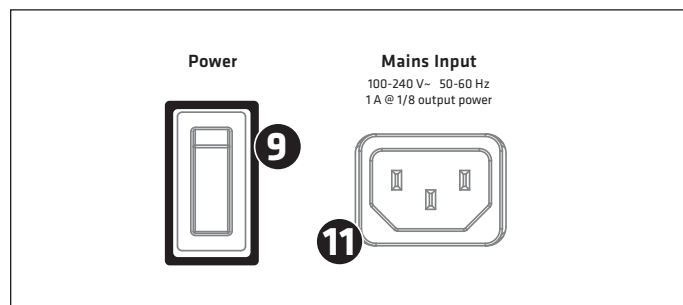
L'interruttore di rete è disponibile nella versione con interruttore a levetta. In posizione Power l'impianto elettronico è acceso, mentre risulta spento quando è completamente scollegato dalla rete.

10 LED Power

Non appena l'impianto elettronico viene alimentato con tensione, questo LED diventa verde.

11 Mains Input

Il collegamento alla rete è concepito come presa IEC 14 bloccabile. In combinazione con il cavo di collegamento bloccabile in dotazione, il cavo di alimentazione è bloccato ed è assicurato da scivolamenti accidentali.

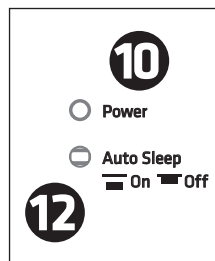


12 Auto Sleep

La funzione di sospensione automatica a risparmio energetico (Auto Sleep) può essere attivata e disattivata tramite questo interruttore svasato. L'Auto Sleep è abilitato di fabbrica (interruttore premuto). Questa funzione imposta l'impianto elettronico in modalità Auto Sleep se non è presente alcun segnale per un periodo di 4 ore e mezza, se non si ricevono dati tramite le prese di rete e se non si azionano pulsanti o comandi sull'impianto elettronico. Il diffusore può essere riattivato solo spegnendo e riaccendendo l'interruttore di rete o applicando un segnale audio analogico all'ingresso.

Attenzione: l'attivazione tramite le prese di rete non è possibile.

La disattivazione della funzione Auto Sleep è possibile solo azionando l'interruttore svasato (non premuto).



• Español

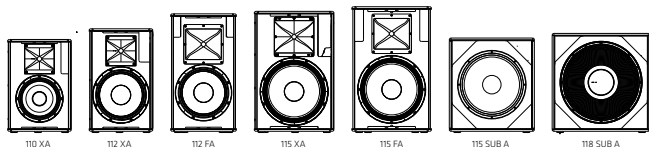
• Italiano

• Français

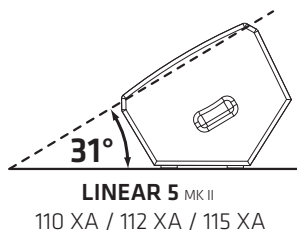
• Deutsch

• English

3 Panoramica dei vari modelli 110 XA, 112 XA, 112 FA, 115 XA, 115 FA, 115 Sub A, 118 Sub A



La serie LINEAR 5 è composta da cinque satelliti e due subwoofer: LINEAR 5 MK II 110 XA, LINEAR 5 MK II 112 XA, LINEAR 5 MK II 112 FA, LINEAR 5 MK II 115 XA, LINEAR 5 MK II 115 FA, LINEAR 5 MK II 115 Sub A e LINEAR 5 MK II 118 Sub A. I modelli multifunzionali LINEAR 5 MK II 110 XA, LINEAR 5 MK II 112 XA e LINEAR 5 MK II 115 XA sono indicati anche per l'uso come monitor da palco trasversale grazie alla forma dell'alloggiamento con un'inclinazione integrata di 31°. I modelli Fullrange LINEAR 5 MK II 112 FA e LINEAR 5 MK II 115 FA forniscono una maggiore pressione sonora nella gamma delle basse frequenze grazie al volume maggiore dell'alloggiamento.



I LINEAR 5 MK II 110 XA e 112 XA sono dotati di una tromba a dispersione ampia di 80° x 60° per una radiazione omogenea a campo vicino. La tromba della LINEAR 5 MK II 115 XA offre un angolo di copertura medio di 70° x 50°, mentre nella LINEAR 5 MK II 112 FA e 115 FA viene utilizzata una tromba con una dispersione più stretta con un angolo di copertura di 60° x 40° per consentire portate maggiori.

Le trombe non possono essere ruotate senza l'ausilio di utensili, per cui sono meno indicate per effettuare adattamenti regolari e sono destinate più che altro per ottimizzare l'utilizzo principale di una cassa.

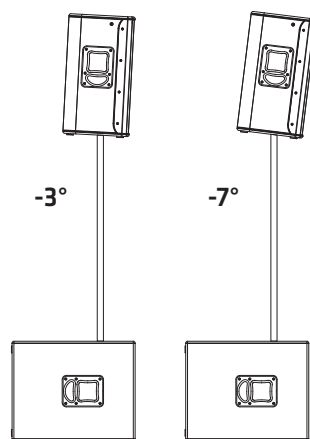
Suggerimento: se utilizzato come monitor da palco trasversale, non è assolutamente necessario ruotare la tromba; addirittura risulta conveniente se l'angolo di copertura verticale più stretto, richiesto per il funzionamento in verticale, viene utilizzato come angolo di copertura orizzontale se disposto in senso trasversale. Ciò riduce al minimo l'area di sovrapposizione con i monitor adiacenti e il rischio di feedback può essere ridotto attraverso un allineamento più preciso.

4 Installazione

4.1 I modelli XA/FA

I satelliti LINEAR 5 MK II possono essere impilati su subwoofer, montati su treppiedi o supporti distanziatori, installati con staffe a muro o montati in sospensione con accessori indicati.

Installazione con DuoTilt 3/7



Per ottenere una distribuzione del suono ideale, tutti i satelliti sono dotati di HK Audio DuoTilt 3/7, una flangia speciale per treppiedi da 35 mm e supporti distanziatori che consente angoli di inclinazione di -3° e -7°. Per mantenere il baricentro ottimale della cassa sul treppiede, il DuoTilt 3/7 è posizionato vicino al deflettore.

Informazioni generali sull'installazione con treppiedi

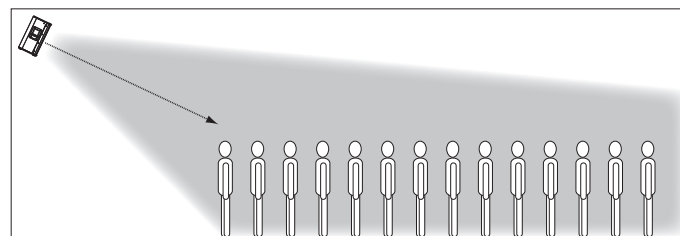
Avviso! Assicurarsi sempre di stare in piedi in modo sicuro e fare riferimento alle informazioni del produttore sul carico massimo del treppiede.



Attenzione!

- È possibile utilizzare solo treppiedi la cui resistenza all'inclinazione è garantita. Il treppiede deve essere concepito per il peso del diffusore. L'altezza massima di estensione deve essere limitata in modo tale che la combinazione di treppiede e cassa non provochi ribaltamenti. Questo vale per l'installazione su una superficie piana e orizzontale.
- Inoltre, quando si effettua l'installazione su una superficie irregolare o in pendenza, assicurarsi che sia garantita la resistenza all'inclinazione, appesantendo la base del treppiede con pesi adeguati o con misure di sicurezza di altro tipo.
- L'uso con altri dispositivi può causare instabilità che potrebbe causare lesioni.

Sospensione:



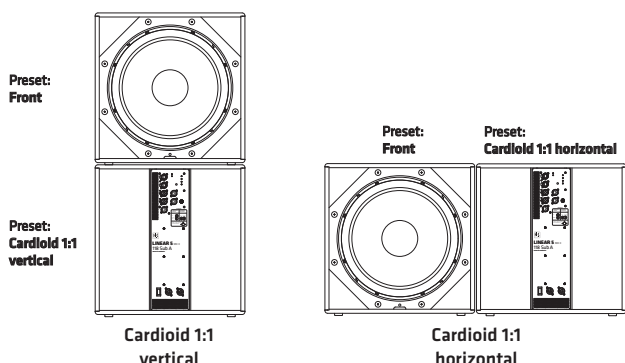
I modelli XA e FA possono essere sospesi utilizzando i loro punti di rigging (cavi o catene d'acciaio in connessione con il punto di attacco AP-8). I modelli 112 FA, 115 FA e 115 XA prevedono anche il funzionamento in sospensione insieme all'installazione dei supporti volanti HK Audio TB-45N e TB-45NQ (il modello Q può essere rimosso con perni a sgancio rapido).

4.2 LINEAR 5 MK II 115 Sub A e 118 Sub A

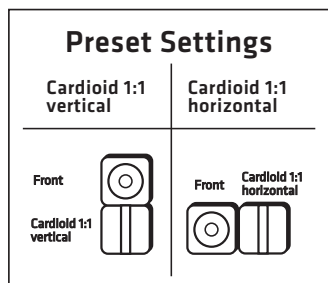
Generalmente i subwoofer LINEAR 5 MK II possono essere gestiti come qualsiasi altro basso a irradiazione diretta. Se utilizzati in modalità cardioide, è

possibile configurarli l'uno sopra l'altro o l'uno accanto all'altro. Mantenere una distanza di almeno 1 metro dalle pareti.

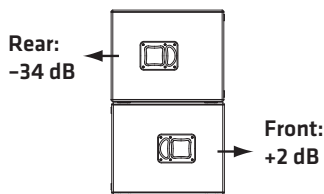
In modalità cardiode sono possibili due configurazioni: Cardioid 1:1 vertical e Cardioid 1:1 horizontal - l'illustrazione seguente mostra la vista frontale (vista dal pubblico)



È possibile selezionare il preset giusto sul retro del subwoofer LINEAR 5 MK II . si veda anche il capitolo 2, **8** Preset:



In entrambi i casi, la pressione sonora nella parte posteriore viene ridotta fino a 34 dB, mentre la pressione sonora nella parte anteriore aumenta di circa 2 dB.

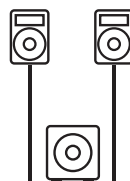


Quando è conveniente scegliere una configurazione cardiode?

Mentre le frequenze medie e alte possono essere irradiate in modo direzionale, le frequenze basse si espandono sfericamente. Spesso questo comporta uno scomodo eccesso di bassi profondi dentro e fuori dal palco. Inoltre sta diventando sempre più comune per gli organizzatori stabilire specifiche precise per la distribuzione del suono, ad esempio per i tendoni dei festival nei centri urbani. Ciò può essere messo in atto in modo più efficace nella gamma dei bassi con la tecnologia cardiode (cancellazione delle frequenze irradiate verso la parte posteriore). I subwoofer LINEAR 5 MK II soddisfano quindi i requisiti, sia a livello meccanico che con i set di filtri disponibili, per realizzare in modo rapido e semplice delle efficaci configurazioni cardioidi.

5 Esempi di sistema

5.1 Configurazione come sistema stereo 2.1



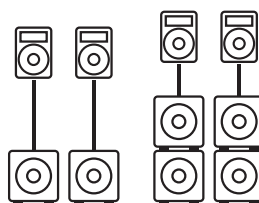
Grazie ai preamplificatori stereo integrati nel subwoofer LINEAR 5 MK II , è possibile realizzare un sistema 2.1 in modo elegante, alimentando entrambi i canali (sinistro e destro) in un subwoofer LINEAR 5 MK II e facendo inoltrare il segnale dalle sue prese Thru ai satelliti. In questo caso l'implementazione ideale è il LINEAR 5 MK II 110 XA a dispersione ampia

Preset:

Satelliti	Low Cut
LINEAR 5 MK II subwoofer	Front

Per garantire un suono il più omogeneo possibile, il subwoofer dovrebbe essere posizionato al centro tra i due satelliti.

5.2 Configurazione con supporti distanziatori



Anziché posizionare i satelliti sui treppiedi, è possibile avvitare un supporto distanziatore con filettatura M20 nella flangia M20 del subwoofer LINEAR 5 MK II .

Preset:

Satelliti	Low Cut
LINEAR 5 MK II subwoofer	Front

5.3 Struttura a pila



Tre subwoofer LINEAR 5 MK II impilati uno sopra l'altro forniscono un'altezza di circa 1,65 m. In questo caso, i satelliti possono essere posizionati direttamente sopra i bassi.

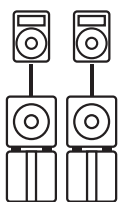
Preset:

Satelliti	Low Cut
LINEAR 5 MK II subwoofer	Front



Avviso: una configurazione a pila andrebbe eseguita esclusivamente tramite personale qualificato e standard appropriati come l'ancoraggio con cinghie su superfici piane.

5.4 Configurazione cardioid 1:1 vertical

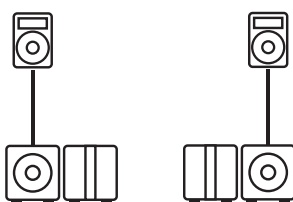


Sistema cardioide con supporto distanziatore - i bassi inferiori sono direzionati all'indietro.

Preset:

Satelliti	Low Cut
LINEAR 5 MK II subwoofer	Front
LINEAR 5 MK II subwoofer	Cardioid 1:1 vertical

5.5 Configurazione cardioid 1:1 horizontal



Sistema cardioide con bassi affiancati - un subwoofer é comunque rivolto all'indietro.

Preset:

Satelliti	Low Cut
LINEAR 5 MK II subwoofer	Front
LINEAR 5 MK II subwoofer	Cardioid 1:1 horizontal

A partire da pagina 42 troverete diversi esempi dettagliati di configurazione e cablaggio per il funzionamento del vostro sistema LINEAR 5 MK II.

6 Accessori opzionali HK Audio

HK Audio offre coperture protettive dagli agenti atmosferici per tutti i LINEAR 5 MK II, che sono adatte sia come protezione per il trasporto che come antipioggia (durante il funzionamento). Per ulteriori informazioni, visitare la pagina del prodotto LINEAR 5 MK II su www.hkaudio.com.

7 Caratteristiche tecniche

Modello	LINEAR 5 MK II 110 XA	LINEAR 5 MK II 112 XA
Max. SPL @ 10% THD	127 dB half space (70 Hz - 12 kHz medio)	128 dB half space (70 Hz - 12 kHz medio)
Max. SPL peak @ 10% THD	135 dB half space	136 dB half space
Risposta in frequenza +/-3 dB	74 Hz - 12 kHz	73 Hz - 12 kHz
Risposta in frequenza -10 dB	68 Hz - 19 kHz	67 Hz - 19 kHz
Potenza del finale (RMS/peak)	600 / 1.200 Watt	600 / 1.200 Watt
Tipo d'amplificatore	Class D - Biamped	Class D - Biamped
Altoparlante bassi	-	-
Altoparlanti bassi/medi	1x 10" con bobina 2"	1x 12" con bobina 2,5"
Driver acuti	1" con bobina 1,4"	1" con bobina 1,7"
Caratteristiche della tromba	80° x 60° tromba-CD, girabile	80° x 60° tromba-CD, girabile
Frequenza di separazione attiva	2,1 kHz FIR X-Over con 72 dB/ottava	1,9 kHz FIR X-Over con 72 dB/ottava
Max. livello d'ingresso	20 dBu	20 dBu
Ingressi analogici	1x combo XLR/jack bilanciato	1x combo XLR/jack bilanciato
Thru analogico	1x XLR bilanciato	1x XLR bilanciato
DSP Out	1x XLR bilanciato	1x XLR bilanciato
Collegamento di rete	EtherCON RJ45, 1x In	EtherCON RJ45, 1x In
Preset filtri	Flat, Monitor, Low Cut, Remote	Flat, Monitor, Low Cut, Remote
Software remoto	DSP CONTROL (Windows, Mac OS)	DSP CONTROL (Windows, Mac OS)
Funzioni DSP	EQ a 10 bande parametrico con caratteristiche filtri variabili, Filtro passa-alto, Filtro passa-basso, Polarità, Livello, Delay, Limiter, Mute	EQ a 10 bande parametrico con caratteristiche filtri variabili, Filtro passa-alto, Filtro passa-basso, Polarità, Livello, Delay, Limiter, Mute
Frequenza di campionamento	48 kHz	48 kHz
Tempo di latenza sistema	<2 ms	<2 ms
Alimentazione	1x connessione per apparecchi a freddo con sistema di sicurezza V-Lock, 100-240 V	1x connessione per apparecchi a freddo con sistema di sicurezza V-Lock, 100-240 V
Assorbimento di potenza	1 A / 100-240 V consumo energetico nominale conforme alla normativa EN 62368-1	1 A / 100-240 V consumo energetico nominale conforme alla normativa EN 62368-1
Angolo di installazione	31°	31°
Flangia di supporto	DuoTilt 3°/7°	DuoTilt 3°/7°
Punti da rigging	3x M8 (AP-8)	3x M8 (AP-8)
Manici	1x SingleGrip	2x SingleGrip
Custodia	Ibrida (compensato in betulla/MDF)	Ibrida (compensato in betulla/MDF)
Superficie	Smalto acrilico, nero	Smalto acrilico, nero
Griglia frontale	Griglia in metallo 2 mm con plastico espanso speciale	Griglia in metallo 2 mm con plastico espanso speciale
Dimensioni (L x A x P)	36 x 52,5 x 30 cm 14-1/16 x 20-43/64 x 11-13/16"	36 x 59 x 30,5 cm 14-1/16 x 23-15/64 x 12-1/32"
Peso	14,9 kg / 32,85 lbs	17,6 kg / 38,80 lbs

LINEAR 5 MK II 112 FA	LINEAR 5 MK II 115 XA	LINEAR 5 MK II 115 FA	LINEAR 5 MK II 115 Sub A	LINEAR 5 MK II 118 Sub A
128 dB half space (70 Hz – 12 kHz medio)	130 dB half space (70 Hz – 12 kHz medio)	130 dB half space (70 Hz – 12 kHz medio)	127 dB half space (42 Hz – 100 Hz medio)	129 dB half space (40 Hz – 100 Hz medio)
135 dB half space	138 dB half space	138 dB half space	130 dB half space	131 dB half space
70 Hz – 12 kHz	64 Hz – 12 kHz	57 Hz – 12 kHz	44 Hz – X-Over	42 Hz – X-Over
55 Hz – 19 kHz	59 Hz – 19 kHz	54 Hz – 19 kHz	40 Hz – X-Over	38 Hz – X-Over
600 / 1.200 Watt	600 / 1.200 Watt	600 / 1.200 Watt	600 / 1.200 Watt	1.000 / 2.000 Watt
Class D – Biamped	Class D – Biamped	Class D – Biamped	Class D	Class D
-	-	-	1x 15" con bobina 3"	1x 18" con bobina 4"
1x 12" con bobina 2,5"	1x 15" con bobina 3"	1x 15" con bobina 3"	-	-
1" con bobina 1,7"	1" con bobina 1,7"	1" con bobina 1,7"	-	-
60° x 40° tromba-CD, girabile	70° x 50° tromba-CD, girabile	60° x 40° tromba-CD, girabile	-	-
1,6 kHz FIR X-Over con 72 dB/ ottava	1,6 kHz FIR X-Over con 72 dB/ ottava	1,6 kHz FIR X-Over con 72 dB/ ottava	-	-
20 dBu	20 dBu	20 dBu	20 dBu	20 dBu
1x combo XLR/jack bilanciato	1x combo XLR/jack bilanciato	1x combo XLR/jack bilanciato	2x combo XLR/jack bilanciato	2x combo XLR/jack bilanciato
1x XLR bilanciato	1x XLR bilanciato	1x XLR bilanciato	2x XLR bilanciato	2x XLR bilanciato
1x XLR bilanciato	1x XLR bilanciato	1x XLR bilanciato	1x XLR bilanciato	1x XLR bilanciato
EtherCON RJ45, 1x In	EtherCON RJ45, 1x In	EtherCON RJ45, 1x In	EtherCON RJ45, 1x In, 1x Thru	EtherCON RJ45, 1x In, 1x Thru
Flat, Boost, Low Cut, Remote	Flat, Monitor, Low Cut, Remote	Flat, Boost, Low Cut, Remote	Front, Cardioid 1:1 vertical, Cardioid 1:1 horizontal, Remote	Front, Cardioid 1:1 vertical, Cardioid 1:1 horizontal, Remote
DSP CONTROL (Windows, Mac OS)	DSP CONTROL (Windows, Mac OS)	DSP CONTROL (Windows, Mac OS)	DSP CONTROL (Windows, Mac OS)	DSP CONTROL (Windows, Mac OS)
EQ a 10 bande parametrico con caratteristiche filtri varia- bili, Filtro passa-alto, Filtro passa-basso, Polarità, Livello, Delay, Limiter, Mute	EQ a 10 bande parametrico con caratteristiche filtri varia- bili, Filtro passa-alto, Filtro passa-basso, Polarità, Livello, Delay, Limiter, Mute	EQ a 10 bande parametrico con caratteristiche filtri varia- bili, Filtro passa-alto, Filtro passa-basso, Polarità, Livello, Delay, Limiter, Mute	EQ a 10 bande parametrico con caratteristiche filtri variabili, Filtro passa-basso, Polarità, Livello, Delay, Limiter, Mute	EQ a 10 bande parametrico con caratteristiche filtri variabili, Filtro passa-basso, Polarità, Livello, Delay, Limiter, Mute
48 kHz	48 kHz	48 kHz	48 kHz	48 kHz
<2 ms	<2 ms	<2 ms	<2 ms	<2 ms
1x connessione per apparecchi a freddo con sistema di sicurezza V-Lock, 100-240 V	1x connessione per apparecchi a freddo con sistema di sicurezza V-Lock, 100-240 V	1x connessione per apparecchi a freddo con sistema di sicurezza V-Lock, 100-240 V	1x connessione per apparecchi a freddo con sistema di sicurezza V-Lock, 100-240 V	1x connessione per apparecchi a freddo con sistema di sicurezza V-Lock, 100-240 V
1 A / 100-240 V consumo energetico nominale conforme alla normativa EN 62368-1	1 A / 100-240 V consumo energetico nominale conforme alla normativa EN 62368-1	1 A / 100-240 V consumo energetico nominale conforme alla normativa EN 62368-1	1 A / 100-240 V consumo energetico nominale conforme alla normativa EN 62368-1	1,9 A / 100-240 V consumo energetico nominale conforme alla normativa EN 62368-1
-	31°		-	-
DuoTilt 3°/7°	DuoTilt 3°/7°	DuoTilt 3°/7°	1x M20	1x M20
3x M8 (AP-8)	3x M8 (AP-8)	3x M8 (AP-8)	-	-
2x MultiGrip	2x MultiGrip, 1 x SingleGrip	2x MultiGrip	2x MultiGrip	2x MultiGrip
Ibrida (compensato in betulla/ MDF)	Ibrida (compensato in betulla/ MDF)	Ibrida (compensato in betulla/ MDF)	Ibrida (compensato in betulla/ MDF)	Compensato in betulla
Smalto acrilico, nero	Smalto acrilico, nero	Smalto acrilico, nero	Smalto acrilico, nero	Smalto acrilico, nero
Griglia in metallo 2 mm con plastico espanso speciale	Griglia in metallo 2 mm con plastico espanso speciale	Griglia in metallo 2 mm con plastico espanso speciale	Griglia in metallo 2 mm con plastico espanso speciale	Griglia in metallo 2 mm con plastico espanso speciale
37 x 67 x 36,5 cm 14-9/16 x 26-3/8 x 14-3/8"	45 x 68,5 x 42 cm 17-23/32 x 26-31/32 x 16-17/32"	44,8 x 70,7 x 44,75 cm 17-2/3 x 27-4/5 x 17-2/3"	48 x 53,5 x 67,5 cm 18-57/64 x 21-1/16 x 26-37/64"	55 x 56 x 68,5 cm 21-21/32 x 22-3/64 x 26-31/32"
21,9 kg / 48,28 lbs	27,6 kg / 60,85 lbs	30,2 kg / 66,47 lbs	32,9 kg / 72,53 lbs	41,6 kg / 91,71 lbs

Importantes instrucciones de seguridad.

¡Leer antes de encender!

Este producto ha sido elaborado por el fabricante de conformidad con IEC 62368-1 y ha salido de fábrica en perfecto estado. Para que se mantenga en perfectas condiciones y asegurar que no exista riesgo alguno, el usuario deberá observar los avisos y advertencias que se encuentran en el manual de instrucciones. En caso de utilizar este producto en vehículos, embarcaciones o aviones, así como a altitudes superiores a los 2.000 m sobre el nivel del mar, además de la norma IEC 62368-1 también se deberán cumplir las demás normas de seguridad aplicables.

ADVERTENCIA: Para prevenir el riesgo de incendio y el peligro de electrocución, evite la exposición del equipo a humedad o lluvia. No abra la cubierta: en el interior no hay elementos que deba manipular el usuario. El mantenimiento deberá quedar a cargo de personal cualificado.



La presencia de este símbolo advierte de la existencia de tensión peligrosa sin aislar en el interior que podría ser suficiente para provocar una electrocución.



La presencia de este símbolo advierte de la existencia de tensión peligrosa accesible desde el exterior. Todo cableado externo conectado con algún terminal marcado con este símbolo deberá ser un cableado preelaborado que satisfaga las recomendaciones del fabricante o deberá ser instalado por personal cualificado.



La presencia de este símbolo advierte de importantes instrucciones de uso y mantenimiento en la bibliografía adjunta. Lea el manual.



La presencia de este símbolo indica: ¡Precaución! ¡Superficie caliente! No tocar para evitar quemaduras.



Todos los aparatos eléctricos y electrónicos inclusive las baterías, se han de evacuar por separado de la basura doméstica, a través de centros de recogida y reciclaje oficiales.



Lea las presentes instrucciones. Conserve las presentes instrucciones. Observe todas las advertencias e indicaciones señaladas en el producto y en las instrucciones.

- No utilice el producto cerca del agua. No coloque el producto cerca de agua, baños, bañeras, fregaderos, zonas húmedas, piscinas o saunas.
- No coloque objetos que contengan líquidos sobre el producto, como jarrones, vasos, botellas, etcétera.
- Limpie exclusivamente con paños secos.
- No retire ninguna cubierta ni elementos del armazón.
- La tensión operativa del producto deberá ajustarse a la tensión del suministro eléctrico local. Si no está seguro del tipo de electricidad disponible, consulte con su distribuidor o con la compañía eléctrica local.
- Antes de conectar el aparato debe asegurarse de que la instalación de alimentación de red tenga equipos de protección suficientes contra cortocircuito y fallo de puesta a tierra de los dispositivos conectados.
- Para reducir el riesgo de electrocución, deberá mantenerse la puesta a tierra del producto. Utilice solamente el cable de alimentación suministrado con el producto y mantenga siempre activo de la patilla central (puesta a tierra) del cuadro de conexiones. No desactive la función de seguridad del enchufe polarizado o con puesta a tierra. El aparato solamente debe conectarse a enchufes que tengan una puesta a tierra de protección que funcione reglamentariamente.
- Proteja el cable de alimentación de pisadas o pinzamientos, especialmente junto a enchufes, soportes de dispositivos y el punto de salida desde el equipo. Los cables de alimentación deberán manipularse siempre con precaución. Compruebe periódicamente que los cables no tengan cortes ni signos de desgaste, especialmente en el enchufe y en el punto de salida desde el equipo.
- No utilice nunca un cable dañado.
- Desenchufe el producto durante las tormentas con aparato eléctrico o cuando vaya a estar en desuso durante periodos prolongados.
- El producto solamente se puede desconectar por completo de la red extrayendo el enchufe de red de la unidad o de la toma de la pared. El producto deberá colocarse en todo momento de tal modo que su desconexión de la red sea sencilla.
- Los fusibles sólo los debe cambiar personal técnico cualificado, utilizando el tipo y valor nominal correcto.

- El mantenimiento deberá quedar a cargo de personal cualificado. Será necesaria una revisión si la unidad resulta dañada de cualquier forma, por ejemplo:
 - si el cable de alimentación o el enchufe están dañados o deshilachados;
 - si se han derramado líquidos sobre el producto o han caído objetos en él;
 - si el producto se ha visto expuesto a lluvia o humedad;
 - si el producto no funciona con normalidad pese a seguirse las instrucciones de uso;
 - si el producto ha sido salpicado o el cajetín ha sido dañado.
- Cuando se conecten altavoces a este aparato no se podrá sobrepasar el límite de impedancia mínima especificado en el aparato o en las presentes instrucciones. La sección de los cables empleados debe ser suficiente en conformidad con la reglamentación local.
- No debe superarse una temperatura ambiente de 35 °C.
- Proteja de la luz solar directa.
- No instale cerca de fuentes de calor como radiadores, difusores de calor, estufas u otros dispositivos que produzcan calor.
- Este aparato ha sido desarrollado para su uso en zonas climáticas moderadas – y no para su uso en zonas climáticas tropicales.
- No bloquee ninguna abertura de ventilación. Instale de conformidad con las instrucciones del fabricante. No deberá situarse el producto en una instalación integrada, como una rejilla, a no ser que exista la ventilación necesaria.
- Permita siempre que un dispositivo frío se caliente a temperatura ambiente cuando se traslade a alguna sala. Pueden formarse condensaciones en el interior del producto y dañarlo cuando se usa sin precalentamiento.
- No sitúe fuentes de llama abierta, como velas encendidas, sobre el producto.
- El dispositivo deberá situarse al menos a 20 cm/8" de distancia de las paredes.
- Utilice solamente con el carro, soporte, trípode, abrazadera o tablero especificado por el fabricante o vendido junto con el producto. Cuando se use un carro, deberá tenerse precaución al mover la combinación de carro/producto para evitar daños por vuelcos.
- Utilice solamente accesorios recomendados por el fabricante; esto será de aplicación para todo tipo de accesorios, por ejemplo, cubiertas protectoras, bolsas de transporte, pies, soportes murales o de techo. En caso de instalación de cualquier tipo de accesorio en el producto, siga siempre las instrucciones de uso suministradas por el fabricante. Nunca utilice puntos de fijación distintos de los especificados por el fabricante.
- El dispositivo NO es apropiado para su uso por parte de cualquier persona o personas (niños incluidos) con las capacidades físicas, sensoriales o mentales limitadas o sin la experiencia o el conocimiento suficientes con productos de este tipo. El dispositivo deberá mantenerse siempre fuera del alcance de los niños menores de 4 años.
- Nunca introduzca objetos de ninguna clase en el producto a través de las ranuras del cajetín, ya que podrían tocar puntos de tensión peligrosos, ni cortocircuite elementos que pudieran causar riesgo de incendio o electrocución.
- El producto puede emitir niveles de presión sonora por encima de 90 dB, lo que puede causar daños auditivos permanentes. La exposición a niveles sonoros extremadamente altos puede causar pérdidas auditivas permanentes. Lleve protección auditiva si va a estar expuesto de forma continua a dicho tipo de elevados niveles.
- El fabricante solamente garantiza la seguridad, la fiabilidad y la eficiencia del producto si:
 - el montaje, la extensión, el reajuste, las modificaciones o las reparaciones son realizados por el fabricante o por personal autorizado;
 - la instalación eléctrica del área interesada es conforme con los requisitos de las especificaciones de IEC (ANSI);
 - la unidad se utiliza conforme a las instrucciones de uso.
- Este producto está optimizado para el uso de señales de música y voz. El uso de señales senoidales, rectangulares o de medición de otro tipo con nivel superior puede dañar seriamente el aparato.

Instrucciones generales de seguridad para sistemas de altavoces



Los sistemas de fijación deben usarse exclusivamente para los sistemas de altavoces autorizados por el fabricante y con los accesorios de montaje indicados en las Instrucciones de montaje. Deben tenerse en cuenta obligatoriamente las Instrucciones de montaje del fabricante. No puede garantizarse la carga indicada y el fabricante no asume ninguna responsabilidad en caso de montaje inadecuado o uso de accesorios de montaje no autorizados. No puede garantizarse la capacidad de carga del sistema y el fabricante no asume ninguna responsabilidad si se realizan modificaciones en los altavoces, los accesorios de montaje, los elementos de unión y de fijación, así como los medios de sujeción.

Las reparaciones en las piezas relevantes para la seguridad deben ser realizadas sólo por el fabricante o personas autorizadas por él, de lo contrario se extinguirá la autorización de funcionamiento.



La instalación tiene que realizarse exclusivamente un experto y sólo en puntos de montaje con una capacidad de carga suficiente, si procede, teniendo en cuenta las servidumbres de construcción. Debe usarse el material de fijación (tornillos, tacos, etc.) estipulado por el fabricante en las Instrucciones de montaje. Las uniones atornilladas deben asegurarse contra aflojamiento con las medidas apropiadas.



Las instalaciones estacionarias o móviles (altavoces incluidos accesorios de montaje) deben asegurarse contra caídas por medio de dos dispositivos de actuación independiente entre sí. Las piezas adicionales sueltas o las que se aflojen deben sujetarse con los dispositivos apropiados. Si se usan elementos de unión y de fijación, así como medios de sujeción, deben tenerse en cuenta las normas nacionales. Respecto a la medición de los medios de seguridad, deben tenerse en cuenta las posibles cargas dinámicas (fuerzas a sacudidas).



En los pies de soporte debe tenerse en cuenta principalmente la carga máxima. Además, por motivos constructivos, la mayoría de los pies de soporte sólo están autorizados para soportar la carga exactamente centrada. Los pies de soporte deben instalarse de forma estable. Los pies de soporte tienen que asegurarse adicionalmente con las medidas apropiadas, por ejemplo cuando:

- su superficie de apoyo no permita un apoyo estable,
- sus alturas limiten la estabilidad,
- se espere una presión del viento excesiva,
- se prevea que puedan ser volcados por personas.

Pueden ser también necesarias medidas especiales como precaución contra el comportamiento peligroso de los espectadores. Los pies de soporte no deben instalarse en las vías de escape y de emergencia. En caso de instalación en vías de circulación debe tenerse en cuenta la anchura necesaria de las vías y el bloqueo y señalización reglamentarios. Existe un peligro especial al colocar y apilar. Para ello deben usarse los medios auxiliares adecuados. Deben tenerse en cuenta las normas nacionales.



Durante el montaje debe usarse equipo protector adecuado (especialmente casco protector, guantes y calzado de seguridad) y sólo deben usarse ayudas para subir apropiadas (escaleras, andamios, etc.). La responsabilidad exclusiva será de la empresa que realice la instalación.



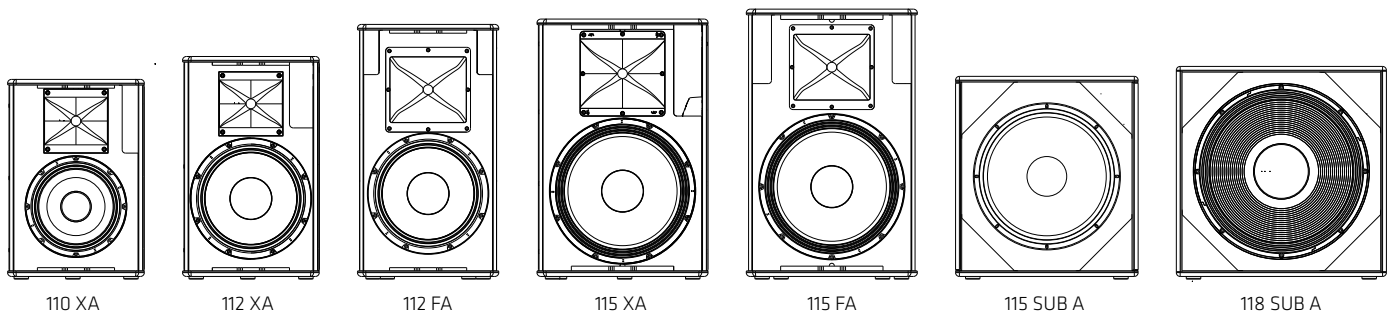
¡ATENCIÓN! Después del montaje tiene que comprobarse la suspensión del sistema en el soporte y la fijación segura de los altavoces. El explotador de los sistemas de altavoces (estacionarios o móviles) está obligado a comprobar o hacer comprobar regularmente todos los componentes del sistema teniendo en cuenta las regulaciones nacionales respectivas y hacer solucionar inmediatamente los posibles daños. Además, recomendamos una documentación completa de todas las medidas de comprobación en los libros de inspección o similares. En especial, los puntos de sujeción de la carga de los sistemas suspendidos tienen que dimensionarse con reservas de seguridad suficientes. Deben tenerse en cuenta las normas nacionales.



Los sistemas de altavoces profesionales pueden crear niveles acústicos perjudiciales para la salud. La influencia de un nivel acústico aparentemente inofensivo durante un periodo prolongado puede causar daños permanentes en la audición (desde aprox. 95 dBA SPL). Por ello, aconsejamos que todas las personas expuestas a un nivel acústico alto debido al funcionamiento de sistemas de altavoces usen protección acústica profesional (tapones para los oídos o auriculares protectores).

Fabricante: Stamer Musikanlagen GmbH, Magdeburger Str. 8, 66606 St. Wendel, Alemania

LINEAR 5 MK II



110 XA

112 XA

112 FA

115 XA

115 FA

115 SUB A

118 SUB A

¡Bienvenido a la familia HK Audio!

Muchas gracias por haberse decidido por un producto de una de nuestras marcas. Ya que lo hemos desarrollado y cuidado con el máximo esmero para que le sirva durante muchos años.



Aunque tenga ya una amplia experiencia con instalaciones de sonido, en este producto encontrará novedades para Ud. Por lo tanto, lea atentamente estas instrucciones de uso y consérvelas para futuras consultas.

¡Le deseamos el mejor sonido en cada ocasión!

El equipo HK Audio



Nota: La funcionalidad de este producto puede verse perturbada por los campos electromagnéticos intensos o las descargas electrostáticas. En este caso, el problema puede solucionarse apagando y volviendo a encender el aparato. Si no se soluciona así, debe alejarse de la fuente de interferencias.

Garantía

Hágalo cómodamente online en www.hkaudio.com.



<http://warranty.hkaudio.com>

El registro solo es válido si se realiza online en un plazo de 30 días desde la fecha de compra.

HK Audio

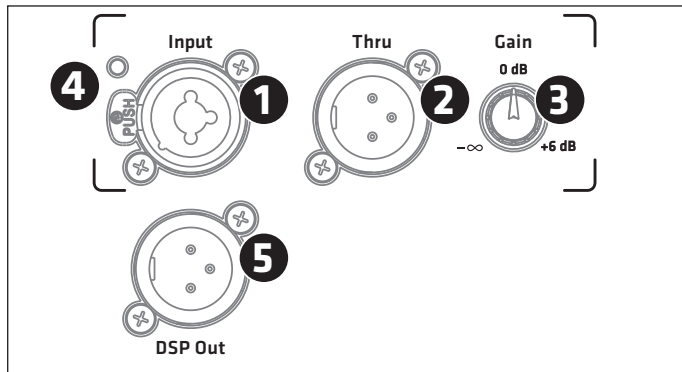
Technischer Service (servicio técnico)
Postfach 1509
66595 St. Wendel, Alemania
Fax: +49 6851 905 100

1 Generalidades

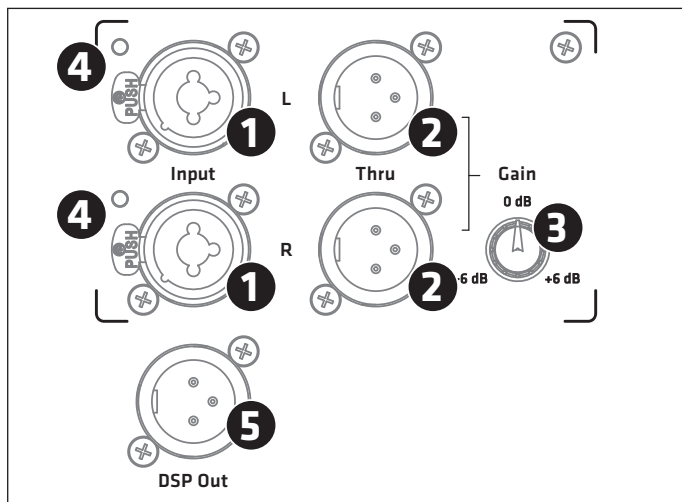
Volumen de suministro

Cuando desembale por primera vez su recinto acústico LINEAR 5 MK II, compruebe que viene completo con la Guía de arranque rápido y un cable de alimentación.

2 Conexiones y elementos de mando



Modelos LINEAR 5 MKII XA/FA



Modelos LINEAR 5 MKII Sub A

1 Input

Toma combo XLR/jack, entrada balanceada para señales analógicas.

- Los modelos LINEAR 5 MK II XA/FA tienen un canal de entrada.
- Los subwoofers LINEAR 5 MK II 115 Sub A y LINEAR 5 MK II 118 Sub A tienen dos entradas separadas para las señales izquierda y derecha. Los dos canales son iguales y se suman post-preamplificación, por lo que puede utilizar cualquiera de ellos en modo mono.

2 Thru

Utilice esta salida XLR paralela y balanceada para enviar la señal encaminada a la Entrada a través de otros componentes. Esta salida permanece activa incluso cuando los componentes electrónicos están desactivados. El subwoofer tiene dos de estos puertos.

3 Gain

- Utilice este knob para ajustar la ganancia de entrada de la señal entrante.
- El rango de control para los modelos XA/FA va de $-\infty$ (silencio) a +6 dB.
- Este knob ajusta la ganancia de ambos canales del previo estéreo del subwoofer en un rango de -6 a +6 dB.

La posición de las 12 en punto con muesca central es 0 dB en ambos casos.

Nota: El ajuste de Ganancia no afecta a la señal enviada a la Salida DSP.

4 LED Input/Limiter

Este LED se ilumina en verde para indicar señales entrantes. Cuando está rojo, el limitador está activo o la entrada está saturando. El LED parpadea brevemente en rojo para indicarle que el limitador está respondiendo a los picos de señal. Si permanece en rojo, baje el knob de Ganancia.

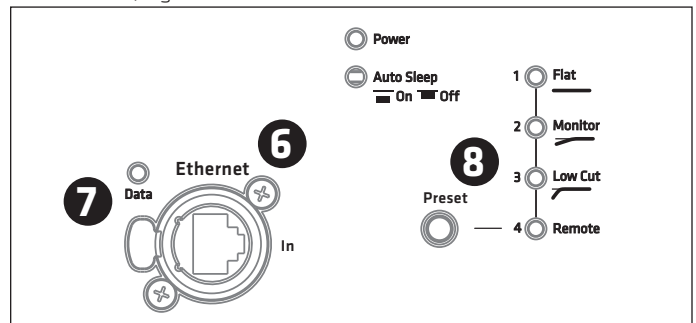
5 DSP Out

Utilice este puerto XLR para reenviar la señal analógica encaminada al jack de Entrada o para reenviar una señal de audio digital alimentada a través de una red. El DSP integrado puede procesar ambos tipos de señales.

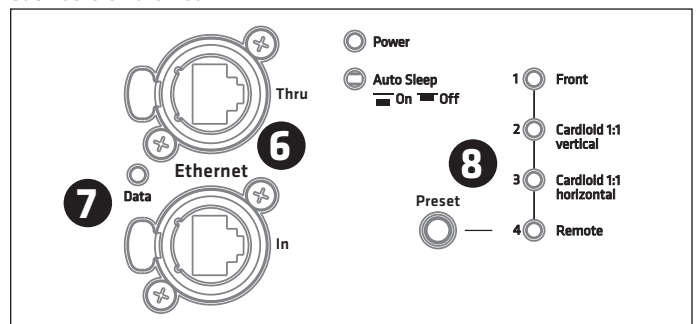
Esto significa que la Salida DSP puede servir como interfaz de red que le permita integrar un altavoz autoamplificado añadido que no sea originalmente compatible con la red.

En la configuración por defecto, la señal de entrada sin procesar va directamente a la salida DSP, independientemente del preset seleccionado y del ajuste del control de Ganancia.

Unidades mid/high Ethernet



Subwoofers Ethernet



6 Ethernet In /Thru

Utilice el puerto etherCON para integrar el altavoz en una red. Acepta conectores RJ45 y etherCON (NE8 MX, NE8 MX6, NE8 MC). Las unidades mid/high tienen cada una entrada Ethernet, y los subwoofers también tienen una Ethernet Thru. Utilice el puerto Ethernet Thru para reenviar la señal de red.

Utilice siempre cables S/STP ó S/FTP para protegerse de las interferencias electromagnéticas. Recomendamos cables CAT6. En otro manual se explican los detalles de la integración en red y las funciones de control remoto. Lo encontrará en la página de descargas de LINEAR 5 MK II en www.hkaudio.com. Para una breve descripción de las funciones DSP, consulte la sección **8** Preset.

7 Data

Este LED se ilumina en naranja cuando se están transfiriendo datos a través de la toma de red.

8 Preset

Utilice el botón de selección de Presets para llamar a los presets de fábrica o a un preset de usuario que puede configurar a través del software remoto DSP CONTROL. Pulse el botón de selección una vez para desplazarse por los presets 1 a 4.

En un manual aparte se explica cómo programar los cuatro presets de usuario remotos. Lo encontrará en la página de descargas de LINEAR 5 MK II en www.hkaudio.com.

Visión general de los presets:

	LINEAR 5 MK II 110 XA, 112 XA, 115 XA	LINEAR 5 MK II 112 FA, 115 FA	LINEAR 5 MK II 115 Sub A, 118 Sub A
1	Flat	Flat	Front
2	Monitor	Boost	Cardioid 1:1 vertical
3	Low Cut	Low Cut	Cardioid 1:1 horizontal
4	Mando a distancia (para acceder a los ajustes almacenados mediante el software remoto HK Audio DSP CONTROL)		

Los presets de fábrica de los modelos LINEAR 5 MK II XA/FA:

Flat	Ofrece una respuesta lineal en toda la gama de frecuencias
Monitor	Optimizado para amortiguar los graves adicionales generados por el acoplamiento al suelo cuando se coloca un altavoz de lado para utilizarlo como monitor
Boost	Mejora la respuesta de graves cuando se utiliza como altavoz independiente sin subwoofer.
Low Cut	Un filtro de paso alto optimiza la unidad para su uso como unidad de medios/agudos emparejada con el LINEAR 5 MKII 115 Sub A ó 118 Sub A

Los presets de fábrica de LINEAR 5 MK II 115 Sub A y 118 Sub A

Front	Modo de funcionamiento estándar para un subwoofer orientado hacia delante
Cardioid 1:1 vertical	Para configuraciones cardioides con dos subwoofers apilados con un subwoofer LINEAR 5 MKII orientado hacia delante. (para más información, consulte la sección 4.2)
Cardioid 1:1 horizontal	Para configuraciones cardioides con dos subwoofers uno al lado del otro y un subwoofer LINEAR 5 MKII orientado hacia delante (para más información, consulte la sección 4.2)

Los presets de fábrica 1 a 3 sólo se refieren al altavoz y no a la salida DSP.

Nota: Si utiliza el altavoz en una red conectada al software remoto DSP CONTROL, puede configurar la Salida DSP de forma independiente incluso cuando utilice los presets 1 a 3 de fábrica. Para obtener más información, consulte el manual del software DSP CONTROL. Lo encontrará en la página de descarga de LINEAR 5 MK II en www.hkaudio.com.

El preset Remote

Remote	Esto le permite llamar a un preset de usuario que haya guardado previamente a través de DSP CONTROL tanto para el altavoz como para la salida DSP. Para ello, no es necesario que el altavoz esté conectado al software remoto.
--------	---

La configuración por defecto del preset Remote es idéntica a la del preset 1 de fábrica (Flat/Front).

Puede acceder a las siguientes funciones DSP a través del software remoto DSP CONTROL y guardar sus ajustes en presets del usuario:

Ecuador de 10 bandas totalmente paramétrico con características de

filtro variables para cada banda de frecuencia, filtros de paso alto y paso bajo con características de filtro variables, Limitador, Delay, Polaridad, Nivel y Mute.

Puede configurar estos parámetros por separado e independientemente para el altavoz y su salida DSP.



Captura de pantalla del software remoto DSP CONTROL. Es posible descargar gratuitamente este software desde la página de descargas de LINEAR 5 en www.hkaudio.com. Los parámetros del altavoz y de la salida DSP son idénticos, pero la doble potencia DSP permite configurar cada conjunto de forma independiente.

9 Power

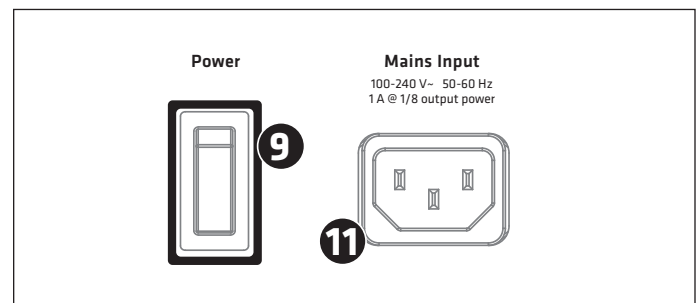
Este interruptor basculante conecta y desconecta la alimentación. Colóquelo en Power para encender los componentes electrónicos y en Off para desconectarlos de la red eléctrica.

10 LED Power

En cuanto los componentes electrónicos reciben tensión, este LED se ilumina en verde.

11 Mains Input

La conexión a la red está diseñada como una toma IEC 14 con bloqueo. En combinación con el cable de conexión con bloqueo suministrado, el cable de alimentación queda bloqueado y protegido contra el deslizamiento accidental.

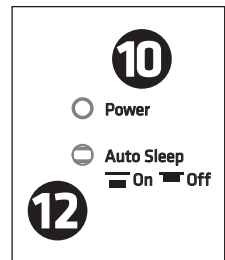


12 Auto Sleep

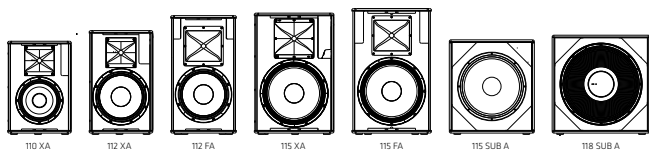
Utilice este botón empotrado para activar y desactivar el modo de reposo automático de ahorro de energía. El altavoz sale de fábrica con el botón de reposo automático pulsado para activar este modo. Esta función pone los componentes electrónicos en modo de reposo automático cuando pasan cuatro horas y media sin que el altavoz registre una señal de audio, se envíen datos a los puertos de red o se accione un botón o knob de los componentes electrónicos. La única forma de despertarlo es apagando y volviendo a encender el botón Power o conectando una señal de audio analógica a la entrada.

Atención: No es posible la activación a través de las tomas de red.

La desactivación de la función Auto Sleep solo puede utilizarse por medio del interruptor encastrado (no presionado).

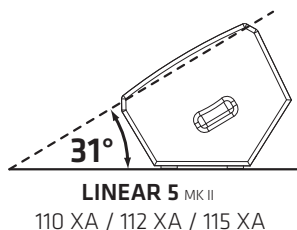


3 Resumen de los diferentes modelos 110 XA, 112 XA, 112 FA, 115 XA, 115 FA, 115 Sub A, 118 Sub A



La serie LINEAR 5 está compuesta por cinco partes superiores y dos subwoofers:

LINEAR 5 MK II 110 XA, LINEAR 5 MK II 112 XA, LINEAR 5 MK II 112 FA, LINEAR 5 MK II 115 XA, LINEAR 5 MK II 115 FA, LINEAR 5 MK II 115 Sub A y LINEAR 5 MK II 118 Sub A. Gracias a la forma de su carcasa con una inclinación de 31° integrada, los modelos multifuncionales LINEAR 5 MK II 110 XA, LINEAR 5 MK II 112 XA y LINEAR 5 MK II 115 XA son ideales también para el uso como monitor de escenario horizontal. Las carcasas más grandes de los modelos de rango completo LINEAR 5 MK II 112 FA y LINEAR 5 MK II 115 FA proporcionan más presión sonora de baja frecuencia.



Los altavoces LINEAR 5 MK II 110 XA y 112 XA están equipados con una bocina de dispersión amplia de 80° x 60° para una dispersión homogénea en campo cercano. El LINEAR 5 MK II 115 XA tiene una bocina con un patrón de dispersión media de 70°x50°. Los LINEAR 5 MK II 112 FA y 115 FA vienen con una bocina con un patrón más estrecho de 60°x40° de largo alcance.

Se necesitan herramientas para girar las bocinas, por lo que no se prestan a ajustes frecuentes. La idea es optimizar el patrón de tiro para la aplicación principal de la caja.

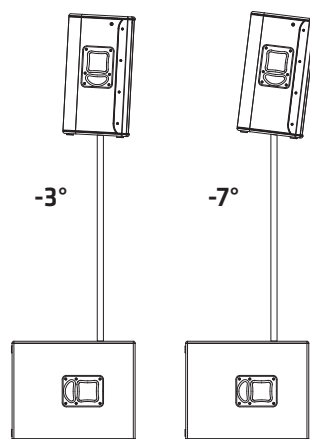
Consejo: No es necesario girar la bocina cuando se coloca la carcasa de lado para utilizarla como monitor de escenario. De hecho, el patrón de proyección vertical más estrecho del altavoz vertical funciona muy bien en posición horizontal. Esto minimiza el solapamiento con los monitores adyacentes y reduce el riesgo de realimentación porque se puede enfocar el altavoz con mayor precisión.

4 Configuración de los altavoces

4.1 Los modelos XA/FA

Las unidades de medios/agudos LINEAR 5 MK II pueden apilarse sobre subwoofers, montarse en soportes de altavoz o mástiles, instalarse con soportes de pared o colgarse con el hardware de aparejo adecuado.

Configuración con el DuoTilt 3/7



Todas las unidades de medios/altos incorporan el DuoTilt 3/7 de HK Audio, un soporte especial para soportes de altavoz y mástiles de 35 mm que ofrece dos ángulos, -3° y -7°, para proporcionar una mejor cobertura. El DuoTilt 3/7 está situado más cerca del baffle para mantener el centro de gravedad óptimo cuando el altavoz está sobre un soporte.

Información general sobre la instalación con soportes de altavoces

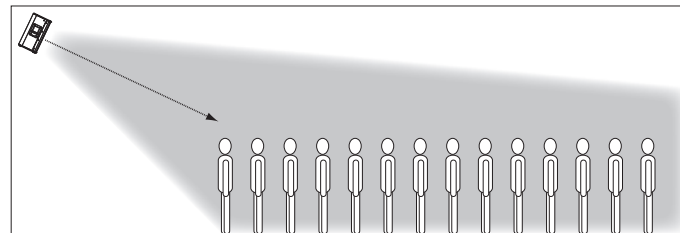
¡Atención! Asegúrese siempre de que el soporte del altavoz está sobre una base sólida y respete las instrucciones del fabricante en cuanto a su capacidad de carga máxima.



¡Tenga cuidado!

- Utilice únicamente soportes de altavoz lo suficientemente estables como para evitar vuelcos accidentales. Asegúrese de que el soporte del altavoz está diseñado para soportar el peso de la caja acústica. El ajuste más alto de los soportes ajustables debe limitarse para evitar que la combinación de soporte de altavoz y altavoz vuelque. Esto se aplica cuando se coloca el soporte sobre una superficie plana y horizontal.
- Cuando se instale en una superficie irregular o inclinada, asegúrese de que la base del soporte del altavoz esté bien sujeta para evitar vuelcos accidentales, ya sea fijando pesos adecuados a la base o tomando otras medidas para asegurar el soporte.
- El uso de cualquier otro tipo de fijación o accesorio puede provocar una inestabilidad que puede causar lesiones.

Aparejo:



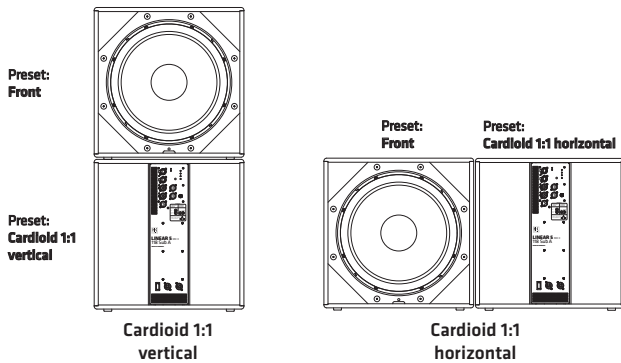
Los modelos XA y FA pueden colgarse instalando el accesorio AP-8 y cables o cadenas de acero en sus puntos de enganche. Los modelos 112 FA, 115 FA y 115 XA permiten además la operación de aparejo en combinación con la instalación de los soportes de inclinación HK Audio TB-45N y TB-45NQ (modelo Q desmontable con pasadores de desenganche rápido).

4.2 LINEAR 5 MK II 115 Sub A y 118 Sub A

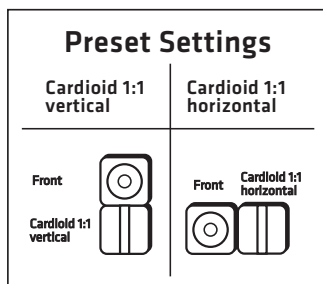
Coloque el subwoofer LINEAR 5 MK II como lo haría con cualquier otro

subwoofer de radiación directa. Se puede utilizar apilado o uno al lado del otro en modo cardioide, manteniendo una distancia de al menos un metro de las paredes.

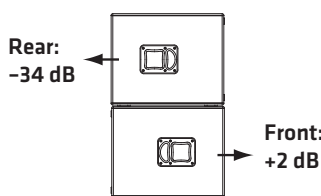
Puede elegir entre dos configuraciones cardioide: Cardioid 1:1 vertical y Cardioid 1:1 horizontal. Los diagramas siguientes muestran la vista frontal desde la perspectiva del público.



Seleccione el preset adecuado para la configuración dada en el panel posterior del subwoofer LINEAR 5 MK II. Consulte la sección 2, **8** Preset para más información.



Ambas configuraciones atenúan el nivel de presión sonora hacia atrás hasta 34 dB y aumentan el SPL hacia delante unos 2 dB.

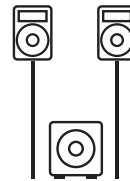


¿Cuándo tiene sentido una configuración cardioide?

Mientras que las frecuencias medias y altas pueden irradiarse en patrones direccionales, las bajas frecuencias son esféricas. Esto a menudo provoca un exceso desagradable de graves en el escenario y detrás de él. Además, los organizadores exigen cada vez más precisión en la distribución del sonido, por ejemplo en las carpas de los centros urbanos. La forma más eficaz de conseguirlo en la gama de graves es con la tecnología Cardioide (cancelando las frecuencias radiadas hacia atrás). Por lo tanto, ambos subwoofers LINEAR 5 MK II cumplen todos los requisitos para implementar rápida y fácilmente configuraciones Cardioides eficaces, tanto mecánicamente como con los juegos de filtros disponibles.

5 Ejemplos del sistema

5.1 Instalación como sistema 2.1 Stereo



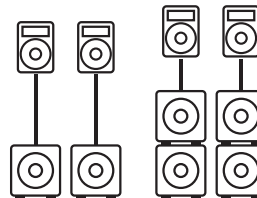
Gracias a los preamplificadores estéreo integrados del subwoofer LINEAR 5 MK II, puede configurar fácilmente un sistema 2.1, enrutando los canales izquierdo y derecho a un subwoofer LINEAR 5 MK II y reenviando después sus señales a las unidades de medios/agudos a través de sus puertos Thru. Los patrones de gran alcance del LINEAR 5 MK II 110 XA son perfectos para esta aplicación.

Presets:

Partes superiores	Low Cut
LINEAR 5 MK II subwoofer	Front

Para garantizar una imagen lo más equilibrada posible, centre el subwoofer entre las dos unidades de medios/agudos.

5.2 Instalación con la barra distanciadora



Si desea colocar las unidades de medios/agudos en mástiles de altavoz en lugar de soportes, simplemente enrosque un mástil con rosca M20 en el soporte para mástil M20 del subwoofer LINEAR 5 MK II.

Preajustes:

Partes superiores	Low Cut
LINEAR 5 MK II subwoofer	Front

5.3 Instalación apilada



Colocando tres subwoofers LINEAR 5 MK II uno encima del otro se crea una pila de 1.65 m. Puede colocar las unidades de medios/agudos directamente sobre las cajas de graves.

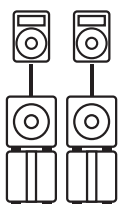
Preajustes:

Partes superiores	Low Cut
LINEAR 5 MK II subwoofer	Front



Nota: La instalación como pila sólo debe ser llevada a cabo por personal cualificado y con las normas adecuadas, como la sujeción con correas de amarre en superficies planas.

5.4 Configuración de un sistema cardioide vertical 1:1

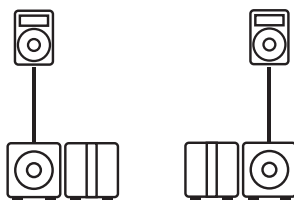


Sistema cardioide con un mástil de altavoz. Los subwoofers inferiores están orientados hacia atrás.

Preajustes:

Partes superiores	Low Cut
LINEAR 5 MK II subwoofer	Front
LINEAR 5 MK II subwoofer	Cardioid 1:1 vertical

5.5 Configuración de un sistema cardioide horizontal 1:1



Sistema cardioide con bajos uno al lado del otro. Un subwoofer está orientado hacia atrás.

Presets:

Partes superiores	Low Cut
LINEAR 5 MK II subwoofer	Front
LINEAR 5 MK II subwoofer	Cardioid 1:1 horizontal

Encontrará varios ejemplos detallados de configuración y cableado para su sistema LINEAR 5 MK II a partir de la página 42.

6 Accesorio opcional de HK Audio

HK Audio ofrece fundas protectoras contra la intemperie para todos los modelos LINEAR 5 MK II. También sirven para proteger los altavoces durante el transporte y a prueba de salpicaduras durante el funcionamiento. Visite las páginas de producto de LINEAR 5 MK II en www.hkaudio.com para obtener más información.

7 Datos técnicos

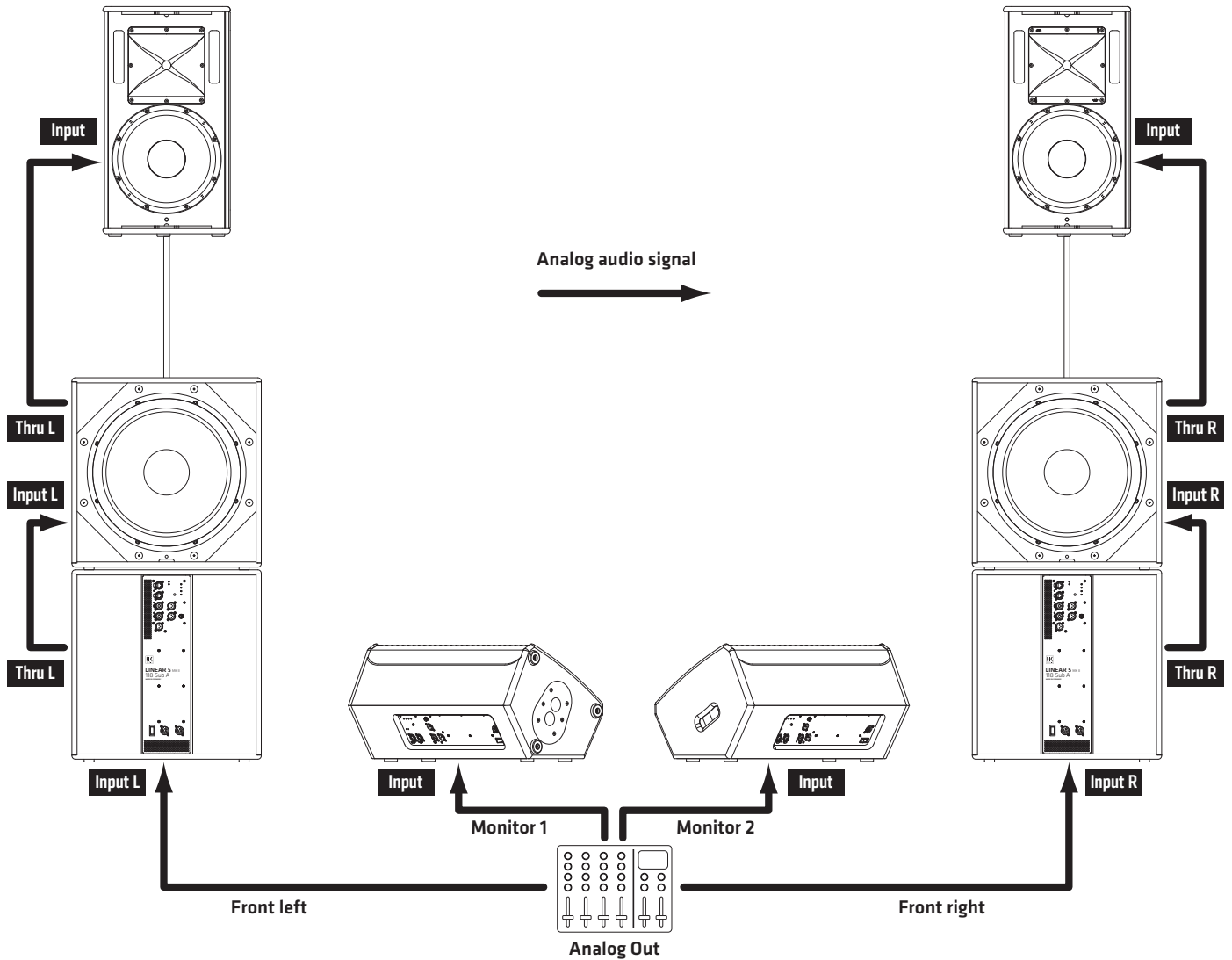
Modelo	LINEAR 5 MK II XA 110	LINEAR 5 MK II XA 112
Máx. SPL@10% THD	127 dB medio espacio (70 Hz - 12 kHz promediado)	128 dB medio espacio (70 Hz - 12 kHz promediado)
Máx. SPL Peak@10% THD	135 dB medio espacio	136 dB medio espacio
Respuesta de frecuencia +/-3 dB	74 Hz - 12 kHz	73 Hz - 12 kHz
Respuesta de frecuencia -10 dB	68 Hz - 19 kHz	67 Hz - 19 kHz
Potencia de la etapa final (RMS/Peak)	600 / 1200 W	600 / 1200 W
Tipo de etapa final	Class D - Biamped	Class D - Biamped
Altavoz de graves	-	-
Altavoz de graves/medios	1 x 10" con bobina oscilatoria de 2"	1 x 12" con bobina oscilatoria de 2,5"
Altavoz de agudos	1" con bobina oscilatoria de 1,4"	1" con bobina oscilatoria de 1,7"
Característica de difusor	80° x 60° CD bocina, giratorio	80° x 60° CD bocina, giratorio
Frecuencia de separación activa	2,1 kHz FIR X-Over con 72 dB/oct.	1,9 kHz FIR X-Over con 72 dB/oct.
Nivel de entrada máx.	20 dBu	20 dBu
Conexiones analógicas	1 x XLR combo balanceado	1 x XLR combo balanceado
Analog Thru	1 x XLR balanceado	1 x XLR balanceado
DSP Out	1 x XLR balanceado	1 x XLR balanceado
Conexión de red informática	etherCON RJ45, 1 x In	etherCON RJ45, 1 x In
Presets de filtros	Flat, Monitor, Low Cut, Remote	Flat, Monitor, Low Cut, Remote
Software remoto	DSP CONTROL (Windows, Mac OS)	DSP CONTROL (Windows, Mac OS)
Funciones DSP	EQ de 10 bandas, totalmente paramétrico, con característica de filtro variable, filtro de paso alto, filtro de paso bajo, polaridad, nivel, retardo, limitador, mute	EQ de 10 bandas, totalmente paramétrico, con característica de filtro variable, filtro de paso alto, filtro de paso bajo, polaridad, nivel, retardo, limitador, mute
Frecuencia de muestreo	48 kHz	48 kHz
Latencia del sistema	Inferior a 2 ms	Inferior a 2 ms
Conexión de red	1x Conector IEC con sistema de seguridad V-Lock, 100-240 V	1x Conector IEC con sistema de seguridad V-Lock, 100-240 V
Consumo de potencia	1 A / 100-240 V consumo de corriente nominal según EN 62368-1	1 A / 100-240 V consumo de corriente nominal según EN 62368-1
Ángulo de instalación	31°	31°
Montaje en mástil	DuoTilt 3°/7°	DuoTilt 3°/7°
Puntos de suspensión	3x M8 (AP-8)	3x M8 (AP-8)
Asas de transporte	1 x SingleGrip	2 x SingleGrip
Carcasa	Híbrida (abedul-Multiplex/MDF)	Híbrida (abedul-Multiplex/MDF)
Superficie	Laca acrílica, negra	Laca acrílica, negra
Rejilla frontal	Rejilla metálica de 2 mm con espuma negra acústica	Rejilla metálica de 2 mm con espuma negra acústica
Dimensiones (AxAxP)	36 x 52,5 x 30 cm 14-1/16 x 20-43/64 x 11-13/16"	36 x 59 x 30,5 cm 14-1/16 x 23-15/64 x 12-1/32"
Peso	14,9 kg / 32,85 lbs	17,6 kg / 38,80 lbs

LINEAR 5 MK II FA 112	LINEAR 5 MK II XA 115	LINEAR 5 MK II FA 115	LINEAR 5 MK II 115 Sub A	LINEAR 5 MK II 118 Sub A
128 dB medio espacio (70 Hz – 12 kHz promediado)	130 dB medio espacio (70 Hz – 12 kHz promediado)	130 dB medio espacio (70 Hz – 12 kHz promediado)	127 dB medio espacio (42 Hz – 100 Hz promediado)	129 dB medio espacio (42 Hz – 100 Hz promediado)
135 dB medio espacio	138 dB medio espacio	138 dB medio espacio	130 dB medio espacio	131 dB medio espacio
70 Hz – 12 kHz	64 Hz – 12 kHz	57 Hz – 12 kHz	44 Hz – X-over	42 Hz – X-over
55 Hz – 19 kHz	59 Hz – 19 kHz	54 Hz – 19 kHz	40 Hz – X-over	38 Hz – X-over
600 / 1200 W	600 / 1200 W	600 / 1200 W	600 / 1200 W	1000 / 2000 W
Class D – Biamped	Class D – Biamped	Class D – Biamped	Class D	Class D
-	-	-	1 x 15" con bobina oscilatoria de 3"	1 x 18" con bobina oscilatoria de 4"
1 x 12" con bobina oscilatoria de 2,5"	1 x 15" con bobina oscilatoria de 3"	1 x 15" con bobina oscilatoria de 3"	-	-
1" con bobina oscilatoria de 1,7"	1" con bobina oscilatoria de 1,7"	1" con bobina oscilatoria de 1,7"	-	-
60° x 40° CD bocina, giratorio	70° x 50° CD bocina, giratorio	60° x 40° CD bocina, giratorio	-	-
1,6 kHz FIR X-Over con 72 dB/oct.	1,6 kHz FIR X-Over con 72 dB/oct.	1,6 kHz FIR X-Over con 72 dB/oct.	-	-
20 dBu	20 dBu	20 dBu	20 dBu	20 dBu
1 x XLR combo balanceado	1 x XLR combo balanceado	1 x XLR combo balanceado	2 x XLR combo balanceado	2 x XLR combo balanceado
1 x XLR balanceado	1 x XLR balanceado	1 x XLR balanceado	2 x XLR balanceado	2 x XLR balanceado
1 x XLR balanceado	1 x XLR balanceado	1 x XLR balanceado	1 x XLR balanceado	1 x XLR balanceado
etherCON RJ45, 1 x In	etherCON RJ45, 1 x In	etherCON RJ45, 1 x In	etherCON RJ45, 1 x In, 1 x Thru	etherCON RJ45, 1 x In, 1 x Thru
Flat, Boost, Low Cut, Remote	Flat, Monitor, Low Cut, Remote	Flat, Boost, Low Cut, Remote	Front, Cardioid 1:1 vertical, Cardioid 1:1 horizontal, Remote	Front, Cardioid 1:1 vertical, Cardioid 1:1 horizontal, Remote
DSP CONTROL (Windows, Mac OS)	DSP CONTROL (Windows, Mac OS)	DSP CONTROL (Windows, Mac OS)	DSP CONTROL (Windows, Mac OS)	DSP CONTROL (Windows, Mac OS)
EQ de 10 bandas, totalmente paramétrico, con característica de filtro variable, filtro de paso alto, filtro de paso bajo, polaridad, nivel, retardo, limitador, mute	EQ de 10 bandas, totalmente paramétrico, con característica de filtro variable, filtro de paso alto, filtro de paso bajo, polaridad, nivel, retardo, limitador, mute	EQ de 10 bandas, totalmente paramétrico, con característica de filtro variable, filtro de paso alto, filtro de paso bajo, polaridad, nivel, retardo, limitador, mute	EQ de 10 bandas, totalmente paramétrico, con característica de filtro variable, filtro de paso bajo, polaridad, nivel, retardo, limitador, mute	EQ de 10 bandas, totalmente paramétrico, con característica de filtro variable, filtro de paso bajo, polaridad, nivel, retardo, limitador, mute
48 kHz	48 kHz	48 kHz	48 kHz	48 kHz
Inferior a 2 ms	Inferior a 2 ms	Inferior a 2 ms	Inferior a 2 ms	Inferior a 2 ms
1x Conector IEC con sistema de seguridad V-Lock, 100-240 V	1x Conector IEC con sistema de seguridad V-Lock, 100-240 V	1x Conector IEC con sistema de seguridad V-Lock, 100-240 V	1x Conector IEC con sistema de seguridad V-Lock, 100-240 V	1x Conector IEC con sistema de seguridad V-Lock, 100-240 V
1 A / 100-240 V consumo de corriente nominal según EN 62368-1	1 A / 100-240 V consumo de corriente nominal según EN 62368-1	1 A / 100-240 V consumo de corriente nominal según EN 62368-1	1 A / 100-240 V consumo de corriente nominal según EN 62368-1	1,9 A / 100-240 V consumo de corriente nominal según EN 62368-1
-	31°		-	-
DuoTilt 3°/7°	DuoTilt 3°/7°	DuoTilt 3°/7°	1 x M20	1 x M20
3x M8 (AP-8)	3x M8 (AP-8)	3x M8 (AP-8)	-	-
2 x MultiGrip	2 x MultiGrip, 1 x SingleGrip	2 x MultiGrip	2 x MultiGrip	2 x MultiGrip
Híbrida (abedul-Multiplex/MDF)	Híbrida (abedul-Multiplex/MDF)	Híbrida (abedul-Multiplex/MDF)	Híbrida (abedul-Multiplex/MDF)	abedul-Multiplex
Laca acrílica, negra	Laca acrílica, negra	Laca acrílica, negra	Laca acrílica, negra	Laca acrílica, negra
Rejilla metálica de 2 mm con espuma negra acústica	Rejilla metálica de 2 mm con espuma negra acústica	Rejilla metálica de 2 mm con espuma negra acústica	Rejilla metálica de 2 mm con espuma negra acústica	Rejilla metálica de 2 mm con espuma negra acústica
37 x 67 x 36,5 cm 14-9/16 x 26-3/8 x 14-3/8"	45 x 68,5 x 42 cm 17-23/32 x 26-31/32 x 16-17/32"	44,8 x 70,7 x 44,75 cm 17-2/3 x 27-4/5 x 17-2/3"	48 x 53,5 x 67,5 cm 18-57/64 x 21-1/16 x 26-37/64"	55 x 56 x 68,5 cm 21-21/32 x 22-3/64 x 26-31/32"
21,9 kg / 48,28 lbs	27,6 kg / 60,85 lbs	30,2 kg / 66,47 lbs	32,9 kg / 72,53 lbs	41,6 kg / 91,71 lbs

Application Samples

1. Standard Analog Setup

Use this option when rendering analog audio signals without the remote DSP CONTROL software.



• Deutsch

1. Standard-Setup analog

für den Betrieb mit analogem Audio-Signal – ohne Remote-Software DSP CONTROL

• Français

1. Setup analogique standard

Pour l'utilisation avec un signal audio analogique – sans logiciel distant DSP CONTROL

• Italiano

1. Configurazione standard analogica

per l'utilizzo con segnale audio analogico – senza software remoto DSP CONTROL

• Español

1. Configuración estándar analógica

para el funcionamiento con señal de audio analógica – sin software remoto DSP CONTROL

LINEAR 5 MK II



HK Audio® • Postfach 1509 • 66595 St. Wendel • Germany • info@hkaudio.com • www.hkaudio.com
International Inquiries: fax +49-68 51-905 215 • international@hkaudio.com

Subject to change without notice • Technische Änderungen vorbehalten
Copyrights 2022 Music & Sales GmbH • 11/2022

Manufacturer • Hersteller • Fabricant • Produttore • Fabricante • メーカー • 制造商:
Stamer Musikanlagen GmbH, Magdeburger Str. 8, 66606 St. Wendel, Germany