

# CF 118

## Flyable Subwoofer

Part number: 1007697

Compact, flyable version of the CS 118. Direct-radiating high-performance 1 x 18" subwoofer with large bass reflex ports. Provides dynamic headroom down to the lowest frequencies thanks to its high efficiency and extremely high power handling capacity. The passive forced cooling of the magnet system in the 18" high-power transducer guarantees the best possible cooling of the voice coil and thus ensures reliable continuous operation.

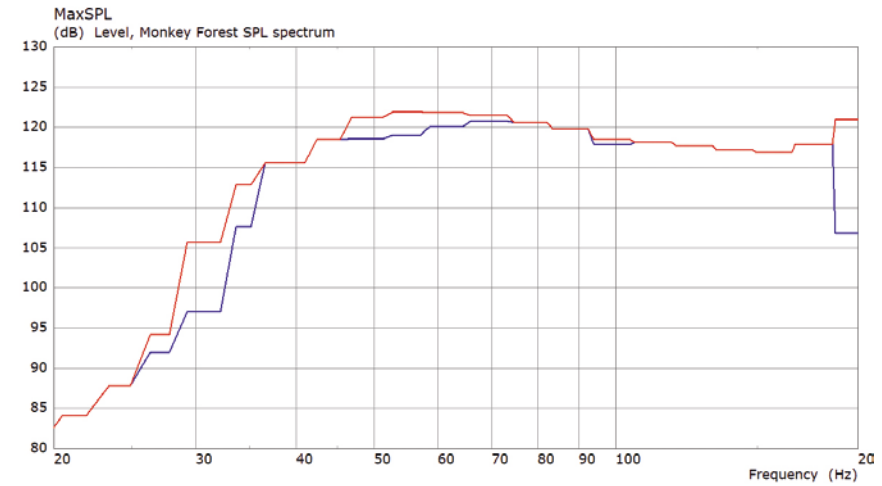
### Characteristics

- Compact, direct-radiating, high-performance 1x 18" subwoofer
- Flyable version of the CS 118
- Extraordinarily large dynamic headroom down to the lowest frequency ranges
- High efficiency and extremely high power handling capacity
- 4 capped speakon NL4 connectors with pin assignment switch
- Ideal in combination with LAB.GRUPPEN PLM+ or Powersoft X-Series, with special filter settings to create cardioid or end-fire arrangements
- Cabinet made of birch multiplex, PU coated, solid, anti-corrosive, powder-coated steel front grille
- Low-resonance construction and high electronic load capacity
- Ideal supplement to the COSMO mid/high units to form a full-range array



## Technical data

| CF 118                                 |  |
|--|--|
| Power-handling nominal (RMS)           | 1600 W   |
| Power-handling, program                | 3200 W   |
| Frequency response +/-3 dB             | 35 Hz - 120 Hz   |
| Frequency response -10 dB              | 32 Hz - 120 Hz   |
| Sensitivity 1 W @ 1 m                  | 93 dB (40 Hz - 120 Hz), full space   |
| Max. SPL @ 10 % THD (EN 60268-21:2019) | 129 dB   |
| Electrical impedance                   | 8 ohms   |
| LF Speaker                             | 1x 18", 4" voice coil  |
| Connections                            | 4x Speakon NL4 (with sealing cap),<br>2 each front and rear, pin assignment switch |
| Integrated pole mount                  | 1x M20   |
| Rigging points                         | 4-point rigging hardware<br>with black KTL coating                                 |
| Carrying handles                       | 4x MultiGrip   |
| Housing                                | Birch multiplex  |
| Finish                                 | PU coating, black  |
| Front grille                           | Steel front grill with anticorrosive coating,<br>acoustic foam                     |
| Dimensions (WxHxD)                     | 60 x 63.5 x 78.5 cm<br>23-5/8 x 25 x 30-29/32"                                     |
| Weight                                 | 54.8 kg / 120.8 lbs  |



Max. SPL  
(blue = 3 % THD, red = 10 % THD)

## Accessories

### CRF-80

Part number: 1007678

The CRF-80 serves as a flying frame and adapter frame for all mid/high units or the CF 118 in the COSMO series. The flying frame can be loaded with up to 700 kg (MWL) and is used with large COSMO setups with flown basses. With the optional M20 adapter, the frame serves as a connection between the subwoofers and the mid/high units in ground-stack operation.



### CF-DO

Part number: 1007769

The CF-DO is used to safely transport the flyable CF 118 subwoofers. With the optionally available CF-DO Extension, the base of the dolly can also easily be used for ground-stack applications.



### C-GSA

Part number: 1007682

The C-GSA ground-stack adapter is used to connect flying frames and mid/high units. The adapter can be used to adjust the required set-up angle of the array.



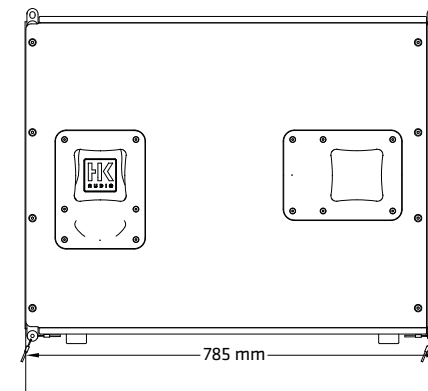
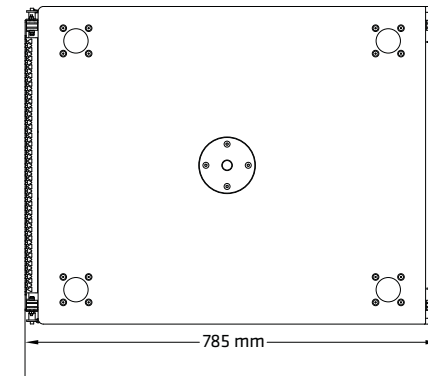
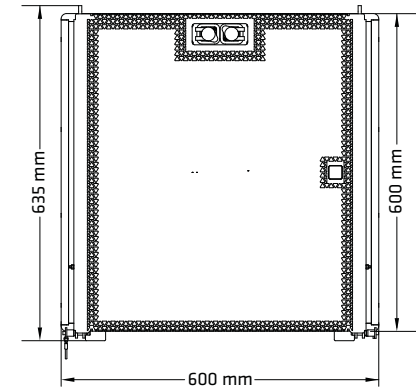
### CF-DO Extension

Part number: 1007770

Optional extension of the CF-DO transport dolly. Allows for straightforward ground-stack applications with the flyable CF 118 subwoofers together with the C 6, C 8 or C 10 mid/high units in the COSMO series.



# CF 118 Subwoofer



HK Audio  
Postfach 1509  
66595 St. Wendel, Germany

info@hkaudio.com  
fax +49-68 51-905 215  
www.pro.hkaudio.com