

CS 118

Subwoofer

Part number: 1007644

Compact, direct-radiating, high-performance 1 x 18" subwoofer with large bass reflex ports. The high efficiency and extremely high power handling capacity provide an extraordinarily large dynamic headroom down to the lowest frequencies. The 18" high-power transducer features passive forced cooling for the magnet system. This ensures that the voice coil is optimally cooled, even during hours of continuous operation.

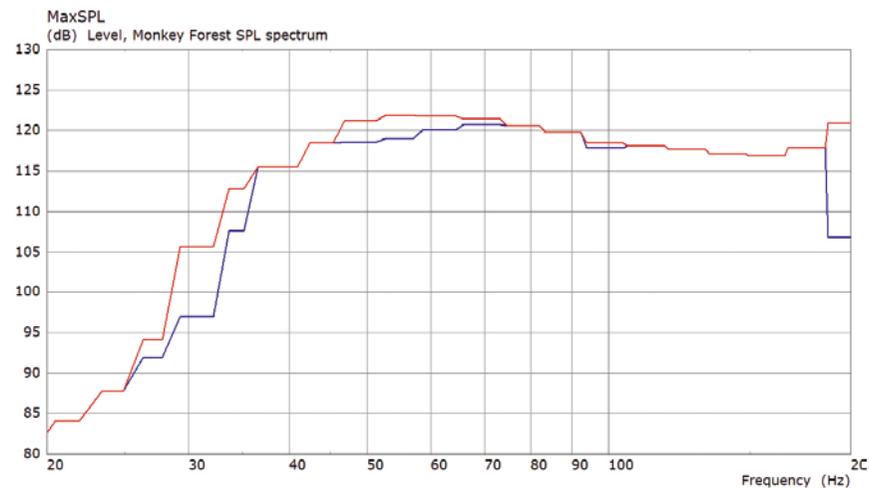
Characteristics

- Compact, direct-radiating, high-performance 1x 18" subwoofer
- Extraordinarily large dynamic headroom down to the lowest frequency ranges
- High efficiency and extremely high power handling capacity
- 4 capped speakon NL4 connectors with pin assignment switch
- Ideal in combination with Lab.Gruppen PLM+ or Powersoft X-Series, with special filter settings to create cardioid or end-fire arrangements
- Cabinet made of birch multiplex, PU coated, solid, anti-corrosive, powder-coated steel front grille
- Low-resonance construction and high electronic load capacity
- Ideal addition to the COSMO line array and the CONTOUR X series



Technical data

CS 118	
Power-handling nominal (RMS)	1600 W
Power-handling, program	3200 W
Frequency response +/-3 dB	35 Hz - 120 Hz
Frequency response -10 dB	31 Hz - 120 Hz
Sensitivity 1 W @ 1 m	93 dB (40 Hz - 120 Hz), full space
Max. SPL @ 10 % THD (EN 60268-21:2019)	129 dB
Electrical impedance	8 ohms
LF Speaker	1x 18", 4" voice coil
Connections	4x Speakon NL4 (with sealing cap), 2 each front and rear, pin assignment switch
Integrated pole mount	1x M20
Carrying handles	4x MultiGrip
Housing	Birch multiplex
Finish	PU coating, black
Front grille	Steel front grill with anticorrosive coating, acoustic foam
Dimensions (WxHxD)	60 x 61 x 78 cm 23-5/8 x 24-5/32 x 30-23/32"
Weight	47.5 kg / 105.0 lbs



Max. SPL
(blue = 3 % THD, red = 10 % THD)

Accessories

CRF-60

Part number: 1007677

The compact CRF-60 rigging frame serves as a flying frame for all mid/high units in the COSMO series. The compact dimensions and an MWL of 350 kg make the flying frame ideal for smaller COSMO setups. With the optional M20 adapter, the frame serves as a connection between the subwoofers and the mid/high units in ground-stack operation.



CRF-80

Part number: 1007678

The CRF-80 serves as a flying frame and adapter frame for all mid/high units or the CF 118 in the COSMO series. The flying frame can be loaded with up to 700 kg (MWL) and is used with large COSMO setups with flown basses. With the optional M20 adapter, the frame serves as a connection between the subwoofers and the mid/high units in ground-stack operation.



CS-WB-1

Part number: 1007700

The CS-WB-1 is a wheelboard including lashing strap for simple transportation of up to two CS 118 subwoofers.



C-GSA

Part number: 1007682

The C-GSA ground-stack adapter is used to connect flying frames and mid/high units. The adapter can be used to adjust the required set-up angle of the array.



C-M20 Adapter

Part number: 6000282

The C-M20 adapter is used to securely connect the flying frame or the pull-back frame to the subwoofers in the C SUB series in ground-stack operation.



CRF-PB

Part number: 1007679

The CRF-PB pull-back frame is used for Compressed mode (including lashing strap) or for mounting COSMO mid/high units on tripods (with suitable screw-on flange).



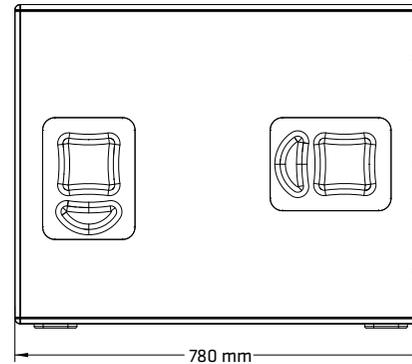
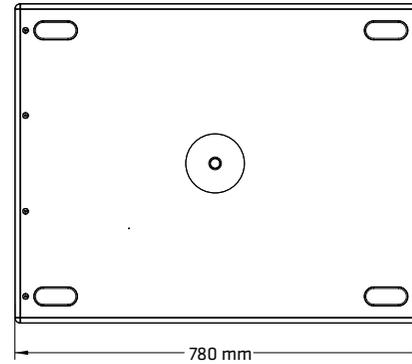
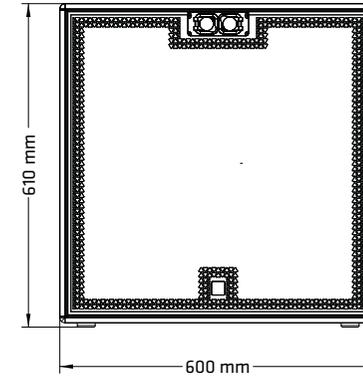
Cover CS-WB-1

Part number: 1007702

The well-padded CS-WB-1 protective cover protects two CS 118 subwoofers on a CS-WB-1 wheelboard. Practical openings are available for connections.



CS 118 Subwoofer



HK Audio
Postfach 1509
66595 St. Wendel, Germany

info@hkaudio.com
fax +49-68 51-905 215
www.pro.hkaudio.com