

LINEAR 3 115 FA

TOP PERFORMANCE TO TRUST >

Active full-range loudspeaker

Part number: 1007582

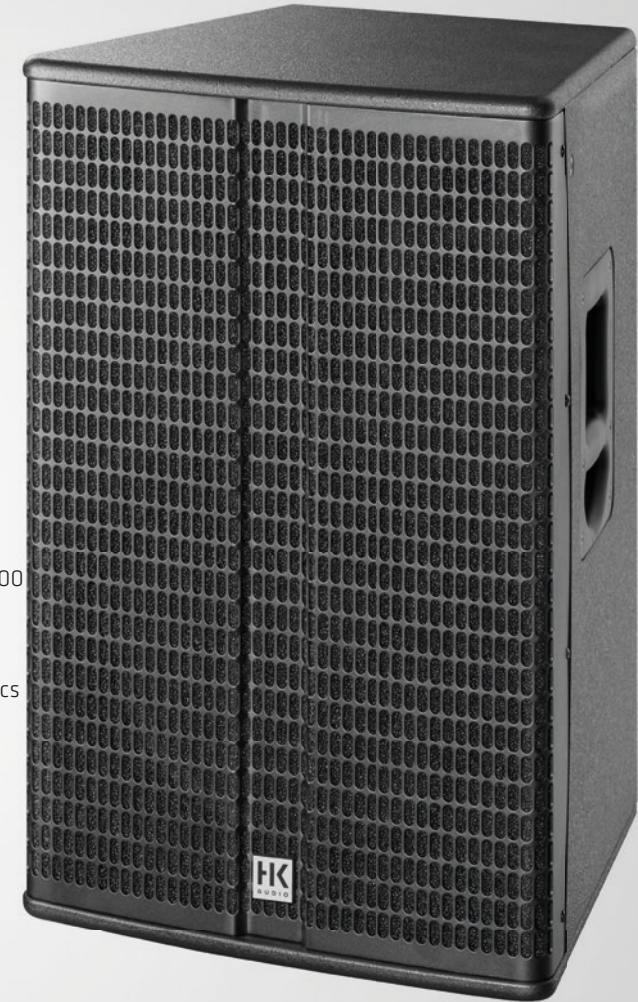
The LINEAR 3 115 FA speaker ensures impressively simple acoustic control by the user as well as outstanding full-range characteristics with significantly enhanced depth compared to the LINEAR 3 112 FA. Thanks to its high-performance power amplifier with an output of 1,200 watts, high sound pressure levels can be achieved, even in larger venues.

Equipped with a 1" tweeter and a 15" woofer, the LINEAR 3 115 FA covers a wide frequency range. Thanks to integrated DSP technology, you as a user can deploy this active speaker for a whole host of different events with the help of the four different EQ presets – Bass Boost, Flat (LF), Flat (HMF) and Contour.

LINEAR 3 has been developed for bands, musicians and DJs who are regularly on the road with their own PA and no sound engineer and who are looking for a powerful sound without a large amount of additional effort. The LINEAR 3 115 FA meets precisely this challenge.

Features

- Active, powerful full-range mid/high unit
- High amplifier output of 1,200 W class D bi-amped
- Balanced, high-resolution sound
- High sound pressure of 135 dB SPL for sound applications with up to 500 people
- Advanced DSP technology for high-end sound results
- "Intelligent Multiband Limiter" ensures consistent sound characteristics
- FIR separation for transparent mid-frequencies
- Four different EQ presets for flexible applications
- No fatigue during listening thanks to low harmonic distortion
- Simple acoustic control of the system, even from the stage
- Accurate PA focus, reducing reflections from walls and ceilings
- Perfect combination options with the LINEAR SUB L SUB 1500 A and L SUB 1800 A subwoofers



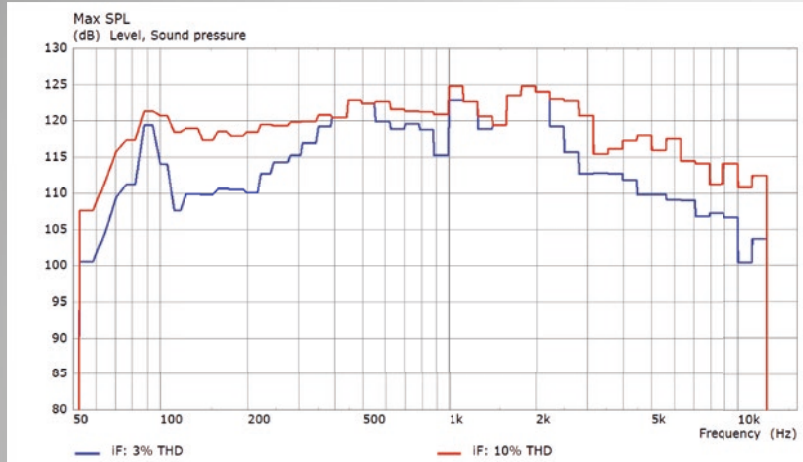
LINEAR 3 115 FA

Technical data

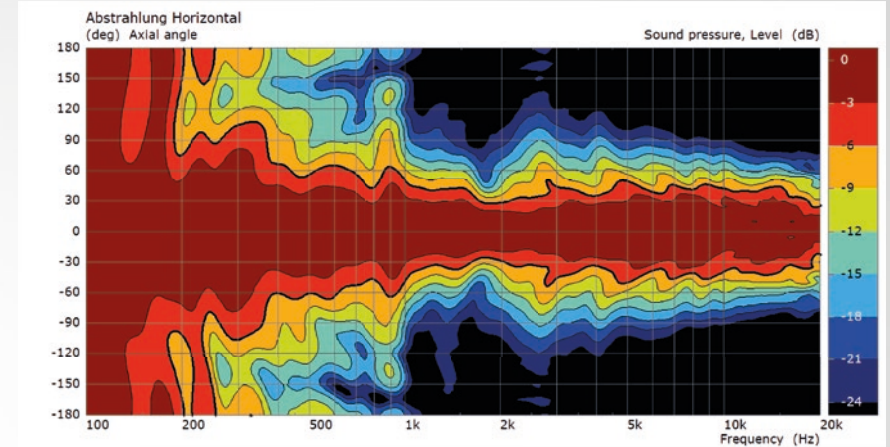
LINEAR 3 115 FA	
Max. SPL @ 10% THD	126 dB half space (58 Hz – 12 kHz averaged)
Max. SPL peak @ 10 % THD	135 dB half space
Frequency response +/-3 dB	58 Hz – 16 kHz
Frequency response -10 dB	49 Hz – 18 kHz
Power amp output (peak power)	1200 W
Preamp	DSP (Time Alignment)
Amp type	Class D - biamped
Active protective circuits	Under-voltage, thermal, short circuit, over-current protection, subsonic filter, look ahead temperature control, peak, RMS and multiband limiters
Low-/mid speaker	1x 15", 2.5" voice coil
HF driver	1", 1" voice coil
Horn directivity	90° x 55° CD horn
Active crossover frequency	2.3 kHz FIR X-over with 72 dB/oct.
Audio ports in	2x XLR combo balanced, 1x Stereo RCA
Audio ports out	2x XLR Thru balanced, 1x XLR Mix Out
Input sensitivity	+4 dBu @ Gain center-notched
Sensitivity switch	Line/Mic Input A
Filter presets	2 EQ switches: Bass Boost/Flat & Flat/Contour
Mains connector	1x IEC socket with V-Lock cord retainer
Power consumption	3 A / 220-240 V (6 A / 100-120 V) nominal according to EN 60065
Angels up (Monitor angle)	-
Pole mount	DuoTilt 3°/7°
Rigging points	4x M8 (AP-8)
Carrying handles	2x MultiGrip
Housing	16 mm MDF
Finish	Black acrylic enamel
Front grille	2 mm metal grille backed with black acoustic foam
Dimensions (WxHxD)	44 x 69 x 44.5 cm 17-21/64 x 27-11/64 x 17-33/64"
Weight	27.9 kg / 61.5 lbs



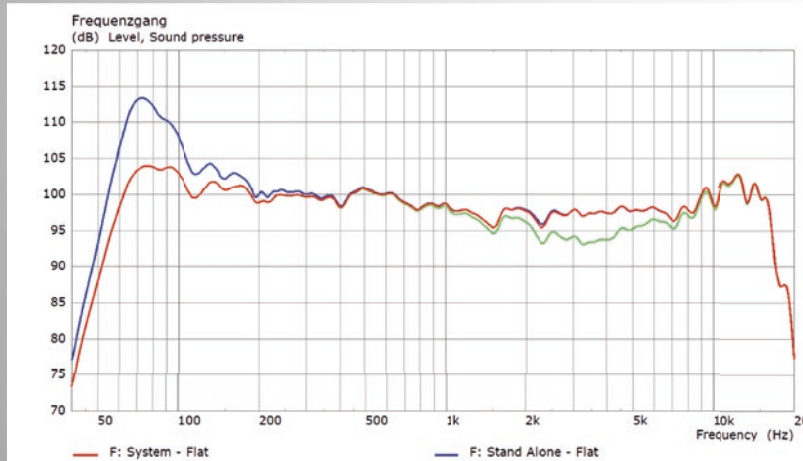
Technical data



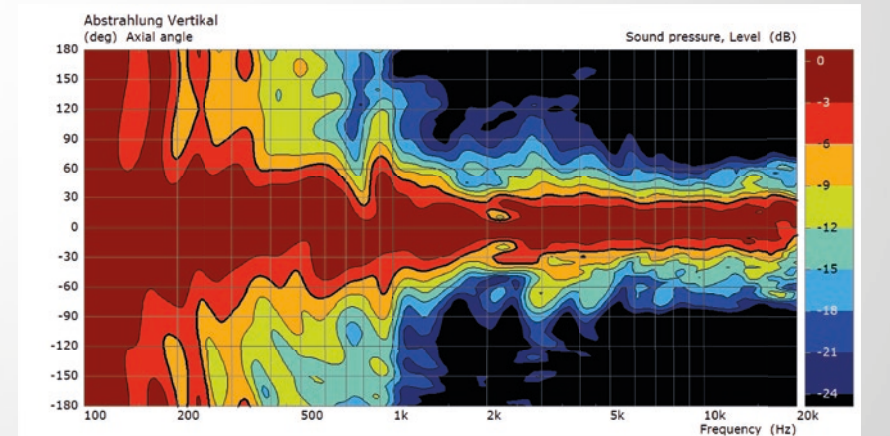
Max. SPL
(blue= 3% THD, red= 10% THD)



Horizontal directivity



Frequency response
(blue= Monitor, red= Flat, green= Lowcut)



Vertical directivity

Accessories



TB-45N

Part number: 1007778

The TB-45N is a tilt bracket for mounting speaker cabinets on truss rods, ceilings, wall brackets, beams and on tripods. It is compatible with LINEAR 3 112 FA and LINEAR 3 115 FA. Flexible vertical and horizontal alignment is possible. The TB-45N can be loaded with up to 70 kg WLL, with a safety factor of 5. Under DGUV-V 17 (German Statutory Accident Insurance Association Regulation 17), the permissible load capacity is thus up to 35 kg. The TB-45N comes as a set of two brackets.



TB-45NQ

Part number: 1007779

The TB-45NQ is a tilt bracket with quick-release pins for mounting speaker cabinets on truss rods, ceilings, wall brackets, beams and on tripods. It is compatible with LINEAR 3 112 FA and LINEAR 3 115 FA. Quick mounting on the box is guaranteed thanks to the ball lock pins. Flexible vertical and horizontal alignment is possible. The TB-45NQ can be loaded with up to 70 kg WLL, with a safety factor of 5. Under DGUV-V 17 (German Statutory Accident Insurance Association Regulation 17), the permissible load capacity is thus up to 35 kg. The TB-45NQ comes as a set of two brackets.



AP-8

Part number: 1007376

With a load capacity of up to 360 kg (WLL), the attachment point allows for the safe installation of the LINEAR 3 112 FA on steel cables or chains. The AP-8 comes as a set of three mounting points.



Tilt-Unit

Part number: 1007538

To tilt the mid/high units when mounted directly on subwoofers, HK Audio offers the Tilt-Unit as an accessory which can be screwed into the M20 mount of the LINEAR SUB 1500 A and 1800 A just like a mounting pole. This means that the DuoTilt can also be used at tilt angles of both -3° and -7° in a stack setup, and the Tilt-Unit prevents the mid/high units from slipping. What's more, in a full-stack setup, the Tilt-Unit ensures the LINEAR 3 112 FA is correctly positioned on the subwoofer.

Accessories



Stereo Pole Add-On XLR

Part number: 1007635

The Speaker Stand Add-On Package XLR consists of two height-adjustable tripods, two XLR cables and a carrying bag. Thanks to these accessories, the active mid/high units can be used in stand-alone applications on the tripods or in combination with a LINEAR SUB 1500 A or LINEAR SUB 1800 A as a 2.1 system. The signal is wired using the XLR cables supplied.



Speaker Stand Add-On Package XLR

Part number: 1007748

The Stereo Pole Add-On XLR Set consists of two height-adjustable König & Meyer M20 mounting poles, two high-quality XLR cables and a carrying bag. This set allows the mid/high units to be positioned at the right height, directly above the subwoofer, and connected via XLR cable.

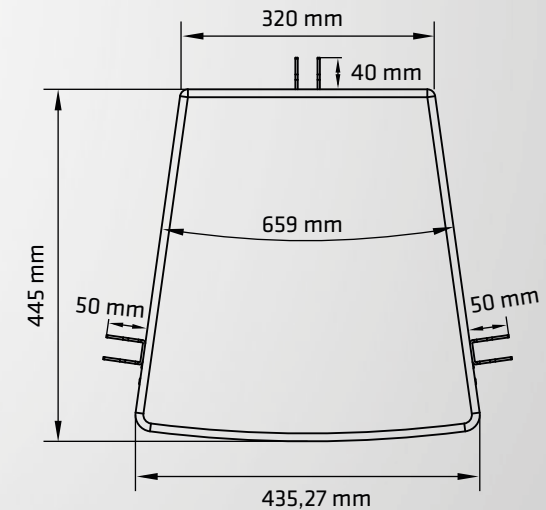
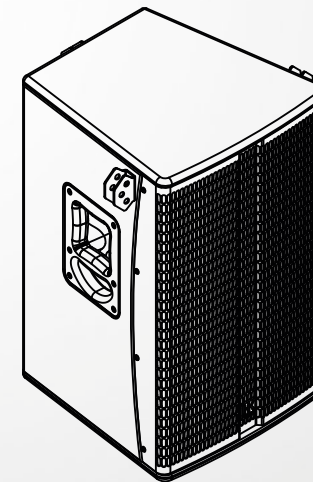
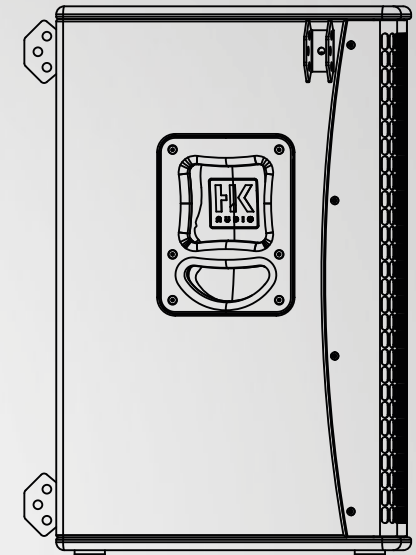
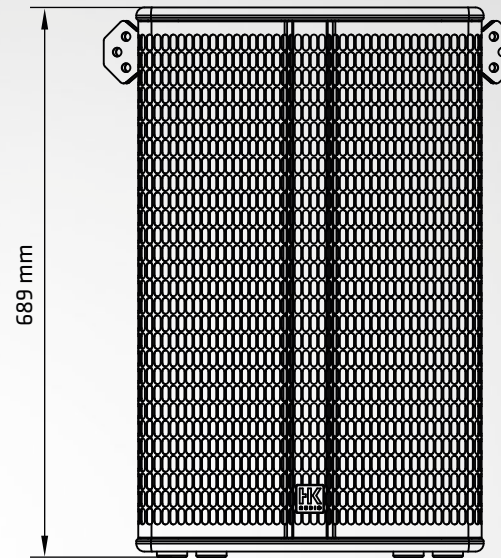
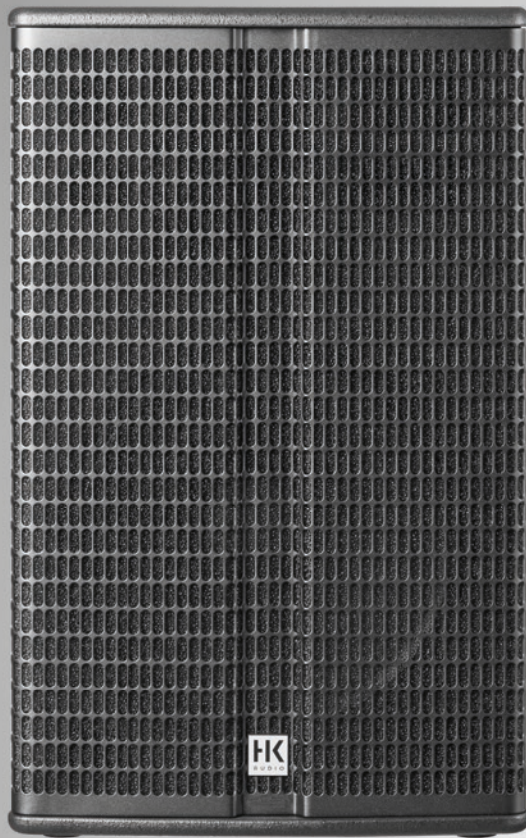


LINEAR 3 112 FA Cover

Part number: 1007619

The padded protective transport cover made of durable nylon provides the required protection during transport. The convenient handle recesses also ensure safe and comfortable handling, mounted without any problems.

LINEAR 3 115 FA



Simulation and CAD files, tender specifications, certificates and much more can be found at www.pro.hkaudio.com

HK Audio

Postfach 1509 • 66595 St. Wendel, Germany

info@hkaudio.com • www.hkaudio.com • fax +49-68 51-905 215

Subject to change without notice

Copyrights 2020 Music & Sales GmbH 09/2020