

LINEAR 5 MK II 118 Sub A

THE ALL-PURPOSE WORKHORSE

Birch multiplex bass reflex subwoofer with more sound pressure

Part number: 1008006

The LINEAR 5 MK II 118 Sub A bass reflex subwoofer with 18" driver and 4" voice coil is the most powerful solution for LINEAR 5 MK II systems with its uncompromising performance and dry, defined bass reproduction down to the lowest of the lows.

A remote-controllable high-performance DSP with integrated, directly selectable presets, such as the Cardioid 1:1 vertical and Cardioid 1:1 horizontal settings, give users an enormously expanded scope for system configuration at any time. The DSP Out can transmit the processed signal from the subwoofer to a non-network-compatible speaker. Cardioid setups can be implemented easily and without measurement technology: simply set up, select a preset, and you're done! The stereo preamp makes configuring 2.1 setups straightforward and convenient.

With more power, a deeper frequency response and a solid birch multiplex enclosure, the LINEAR 5 MK II 118 Sub A is a powerful and robust partner for bands, DJs and sound technicians.

Features

- Class-D power amp with stereo preamp and 2000 W peak power
- Two lockable, balanced XLR/TRS Combo inputs, balanced XLR outputs for analogue loop-through to an additional speaker
- Remote-controlled high-performance DSP with integrated, directly selectable Remote and Cardioid presets (Front, 1:1 vertical, 1:1 horizontal, Remote)
- Extensive DSP tools: fully parametric 10-band EQ with variable filter characteristics, High-Pass Filter, Low-Pass Filter, Polarity, Level, Delay, Limiter, Mute
- DSP Out: balanced XLR output that transmits the processed signal from the speaker to a non-network-compatible speaker. The audio signal applied here can be extensively modified using the DSP CONTROL software
- Professional, lockable EtherCon connectors for connection to a Mac or PC to control the system, daisy chain connections possible
- M20 thread for mounting pole
- Enclosure made of birch multiplex
- Lockable V-Lock mains cable
- Made in Germany



LINEAR 5 MK II 118 Sub A

Technical data

LINEAR 5 MK II 118 Sub A

Max. SPL @ 10 % THD	129 dB half space (42 Hz - 100 Hz averaged)
Max. SPL Peak @ 10 % THD	131 dB half space
Frequency response +/-3 dB	42 Hz - X-over
Frequency response -10 dB	38 Hz - X-over
Power amp output (RMS/Peak)	1,000 / 2,000 W
Amplifier type	Class D
Woofers	1 x 18", 4" voice coil
Low/mid speaker	-
HF driver	-
Horn characteristics	-
Active x-over frequency	-
Maximum input level	20 dBu
Analogue inputs	2 x XLR combo balanced
Analogue Thru	2 x XLR balanced
DSP Out	1 x XLR balanced
Network port	EtherCON RJ45, 1 x In, 1 x Thru
Filter presets	Front, Cardioid 1:1 vertical, Cardioid 1:1 horizontal, Remote
Remote software	DSP CONTROL (Windows, Mac OS)
DSP functions	Fully parametric 10-band EQ with variable filter characteristics, Low-Pass Filter, Polarity, Level, Delay, Limiter, Mute
Sample rate	48 kHz
System latency	Less than 2 ms
Mains connection	1x IEC connector with V-Lock securing system, 100-240 V
Power consumption	1.9 A / 100-240 V nominal according to EN 62368-1
Set-up angle (Monitor mode)	-
Pole mount	1 x M20
Rigging points	-
Carrying handles	2 x MultiGrip
Housing	Birch multiplex
Surface	Black acrylic enamel
Front grille	2 mm metal grille backed with black acoustic foam
Dimensions (WxHxD)	55 x 56 x 68.5 cm 21-21/32 x 22-3/64 x 26-31/32"
Weight	41.6 kg / 91.71 lbs



LINEAR 5 MK II 118 Sub A



Optional accessories

LINEAR 5 MK II Weather Protective Cover 118 Sub A

Part number: 1008049

Made to measure and equipped with many practical details, the Weather Protective Covers are the perfect protection against moisture and humidity, and at the same time a sturdy transport cover for all LINEAR 5 MK II mid/high units and subwoofers.

Behind the front flap, a waterproof acoustic gauze protects the front of the speakers and the drivers without affecting the systems' sound. The front flap can be securely velcroed to the side of the speaker without interfering with stacking, clustering or cardioid setups.

On the rear, sturdy, transparent viewing windows keep water away from the electronics, but ensure the settings can be read at all times and provide access to the controls as well as a cable entry.

The handles can still be used thanks to sealable recesses or notches. Lockable access to the thread for the mounting poles is also included. The cut-out is kept as small as possible and can be easily sealed if necessary. Sufficient ventilation of the electronics is ensured at all times.

- Tough rain and transport protection with easy handling
- Controls can be read and accessed at all times through transparent viewing windows
- Mounting poles can be used and installed with the protective cover in place
- Sturdy and discreet design
- Custom-fit covers are available for all LINEAR 5 MK II series units

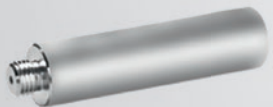


Accessories for rigging and mounting

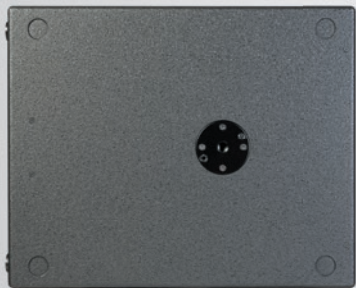
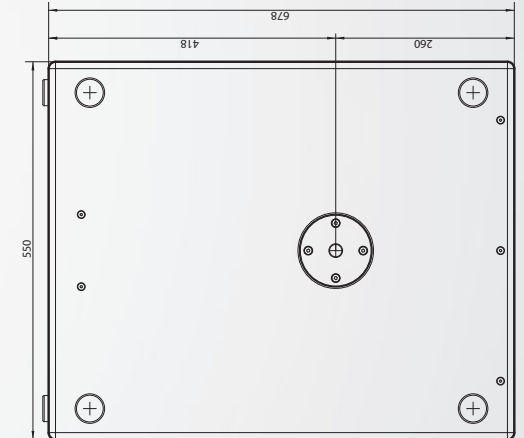
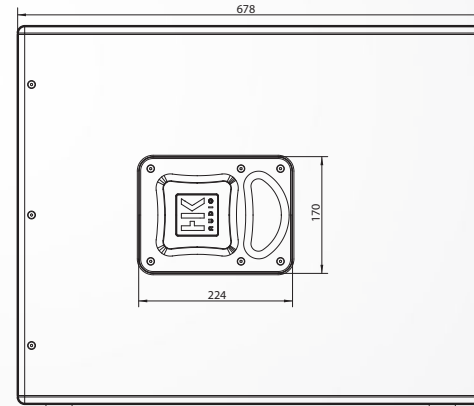
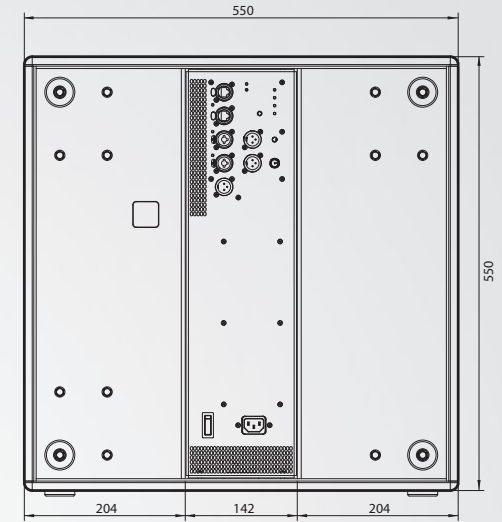
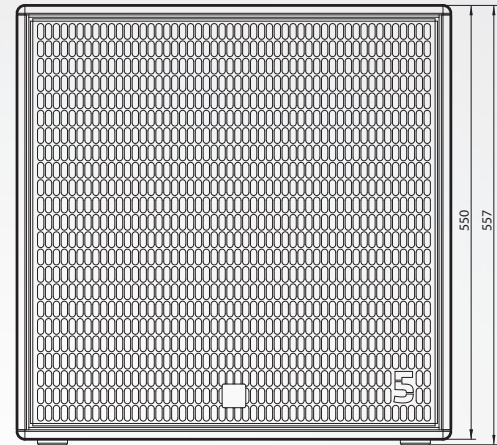
Tilt-Unit

Part number: 1007972

The Tilt Unit allows the mid/high units to be tilted directly on the subwoofer without a mounting pole. Like a mounting pole, the Tilt Unit is screwed directly into the M20 mount of the LINEAR 5 MK II SUB. This means that the DuoTilt can also be used at tilt angles of both -3° and -7° in a stack setup, and the Tilt-Unit prevents the mid/high units from slipping.



LINEAR 5 MK II 118 Sub A



Simulation and CAD files, certificates
and much more can be found at www.hkaudio.com

HK Audio
Postfach 1509 • 66595 St. Wendel, Germany
info@hkaudio.com • www.hkaudio.com • fax +49-68 51-905 215

Subject to change without notice
Copyrights 2023 Music & Sales GmbH 01/2023
D-3251