

# LINEAR 5 MK II 115 Sub A

## THE ALL-PURPOSE WORKHORSE

**Compact, easy-to-transport bass reflex subwoofer with punchy sound**

Part number: 1007964

The LINEAR 5 MK II 115 Sub A bass reflex subwoofer with 15" driver and 3" voice coil is a compact and flexible solution for LINEAR 5 MK II systems with its space-saving dimensions and uncompromising performance with punchy, defined bass reproduction down to the lowest of the lows.

The stereo preamp makes configuring 2.1 setups straightforward and convenient. A remote-controllable high-performance DSP with integrated, directly selectable presets, such as the Cardioid 1:1 vertical and Cardioid 1:1 horizontal settings, give users an enormously expanded scope for system configuration at any time. The DSP Out can transmit the processed signal from the subwoofer to a non-network-compatible speaker. Cardioid setups can be implemented easily and without measurement technology: simply set up, select a preset, and you're done!

With its power output optimally matched to the LINEAR 5 MK II series and its birch multiplex hybrid enclosure, the LINEAR 5 MK II 115 Sub A is a powerful and robust partner for bands, DJs and sound technicians.

### Features

- Class-D power amp with stereo preamp and 1200 W peak power
- Two lockable, balanced XLR/TRS Combo inputs, balanced XLR outputs for analogue loop-through to an additional speaker
- Remote-controlled high-performance DSP with integrated, directly selectable Remote and Cardioid presets (Front, 1:1 vertical, 1:1 horizontal, Remote)
- Extensive DSP tools: fully parametric 10-band EQ with variable filter characteristics, High-Pass Filter, Low-Pass Filter, Polarity, Level, Delay, Limiter, Mute
- DSP Out: balanced XLR output that transmits the processed signal from the speaker to a non-network-compatible speaker. The audio signal applied here can be extensively modified using the DSP CONTROL software
- Professional, lockable EtherCon connectors for connection to a Mac or PC to control the system, daisy chain connections possible
- M20 thread for mounting pole
- Enclosure made of birch multiplex hybrid
- Lockable V-Lock mains cable
- Made in Germany



# LINEAR 5 MK II 115 Sub A

## Technical data

### LINEAR 5 MK II 115 Sub A

Max. SPL @ 10 % THD	127 dB half space (42 Hz - 100 Hz averaged)
Max. SPL Peak @ 10 % THD	130 dB half space
Frequency response +/-3 dB	44 Hz - X-over
Frequency response -10 dB	40 Hz - X-over
Power amp output (RMS/Peak)	600 / 1,200 W
Amplifier type	Class D
Woofer	1 x 15", 3" voice coil
Low/mid speaker	-
HF driver	-
Horn characteristics	-
Active x-over frequency	-
Maximum input level	20 dBu
Analogue inputs	2 x XLR combo balanced
Analogue Thru	2 x XLR balanced
DSP Out	1 x XLR balanced
Network port	EtherCON RJ45, 1 x In, 1 x Thru
Filter presets	Front, Cardioid 1:1 vertical, Cardioid 1:1 horizontal, Remote
Remote software	DSP CONTROL (Windows, Mac OS)
DSP functions	Fully parametric 10-band EQ with variable filter characteristics, Low-Pass Filter, Polarity, Level, Delay, Limiter, Mute
Sample rate	48 kHz
System latency	Less than 2 ms
Mains connection	1x IEC connector with V-Lock securing system, 100-240 V
Power consumption	1 A / 100-240 V nominal according to EN 62368-1
Set-up angle (Monitor mode)	-
Pole mount	1 x M20
Rigging points	-
Carrying handles	2 x MultiGrip
Housing	Hybrid (birch multiplex/MDF)
Surface	Black acrylic enamel
Front grille	2 mm metal grille backed with black acoustic foam
Dimensions (WxHxD)	48 x 53.5 x 67.5 cm 18-57/64 x 21-1/16 x 26-37/64"
Weight	32.9 kg / 72.53 lbs



# LINEAR 5 MK II 115 Sub A



## Optional accessories

### LINEAR 5 MK II Weather Protective Cover 115 Sub A

Part number: 1008048



Made to measure and equipped with many practical details, the Weather Protective Covers are the perfect protection against moisture and humidity, and at the same time a sturdy transport cover for all LINEAR 5 MK II mid/high units and subwoofers.

Behind the front flap, a waterproof acoustic gauze protects the front of the speakers and the drivers without affecting the systems' sound. The front flap can be securely velcroed to the side of the speaker without interfering with stacking, clustering or cardioid setups.

On the rear, sturdy, transparent viewing windows keep water away from the electronics, but ensure the settings can be read at all times and provide access to the controls as well as a cable entry.

The handles can still be used thanks to sealable recesses or notches. Lockable access to the thread for the mounting poles is also included. The cut-out is kept as small as possible and can be easily sealed if necessary. Sufficient ventilation of the electronics is ensured at all times.

- Tough rain and transport protection with easy handling
- Controls can be read and accessed at all times through transparent viewing windows
- Mounting poles can be used and installed with the protective cover in place
- Sturdy and discreet design
- Custom-fit covers are available for all LINEAR 5 MK II series units

## Accessories for rigging and mounting

### Tilt-Unit

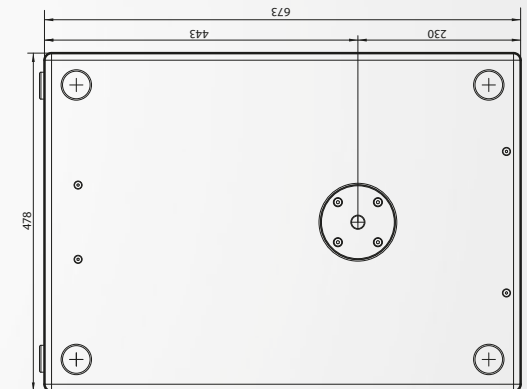
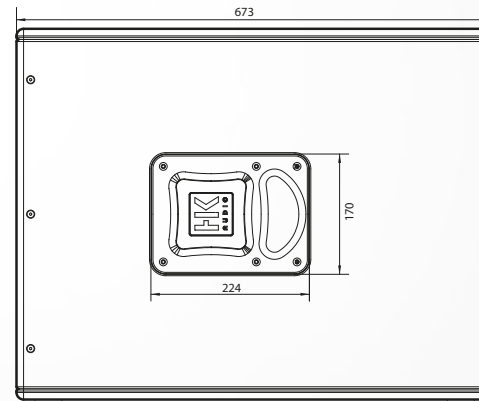
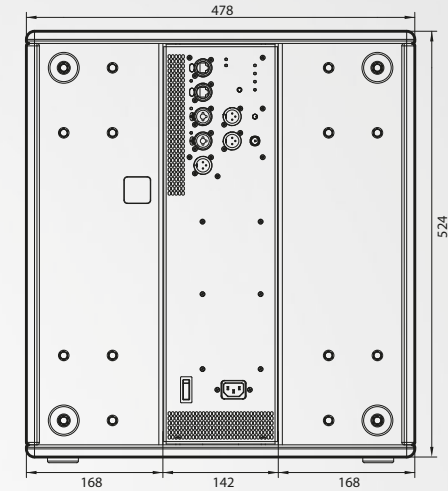
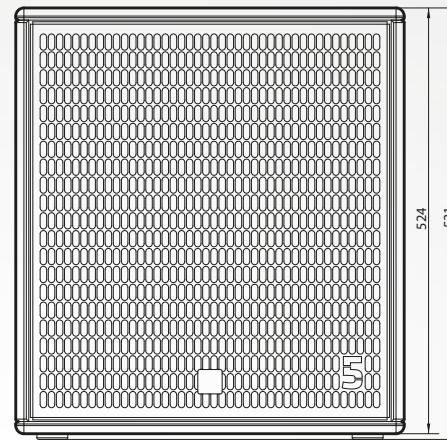
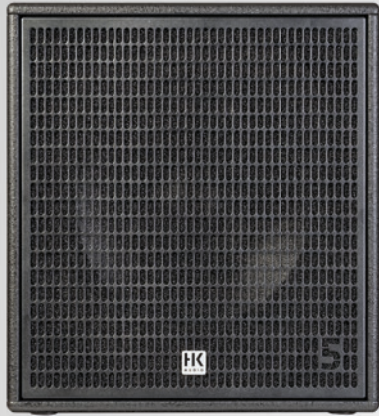
Part number: 1007972



The Tilt Unit allows the mid/high units to be tilted directly on the subwoofer without a mounting pole. Like a mounting pole, the Tilt Unit is screwed directly into the M20 mount of the LINEAR 5 MK II SUB. This means that the DuoTilt can also be used at tilt angles of both  $-3^\circ$  and  $-7^\circ$  in a stack setup, and the Tilt-Unit prevents the mid/high units from slipping.



# LINEAR 5 MK II 115 Sub A



Simulation and CAD files, certificates  
and much more can be found at [www.hkaudio.com](http://www.hkaudio.com)

HK Audio  
Postfach 1509 • 66595 St. Wendel, Germany  
[info@hkaudio.com](mailto:info@hkaudio.com) • [www.hkaudio.com](http://www.hkaudio.com) • fax +49-68 51-905 215

Subject to change without notice  
Copyrights 2023 Music & Sales GmbH 01/2023

D-3250