



PREMIUM PR:0 SERIES

Self-powered cabinets

PR:0 8 A • PR:0 10 XA • PR:0 12 A • PR:0 12 MA
PR:0 15 A • PR:0 15 XA • PR:0 18 Sub A • PR:0 210 Sub A

MANUAL 1.8

• Español

• Italiano

• Français

• Deutsch

• English

Important Safety Instructions! Read before connecting!

This product has been built by the manufacturer in accordance with IEC 60065 and left the factory in safe working order. To maintain this condition and ensure non-risk operation, the user must follow the advice and warning comments found in the operating instructions. If this product shall be used in vehicles, ships or aircraft or at altitudes exceeding 2000 m above sea level, take care of the relevant safety regulations which may exceed the IEC 60065 requirements.

WARNING: To prevent the risk of fire and shock hazard, do not expose this appliance to moisture or rain. Do not open case – no user serviceable parts inside. Refer service to qualified service personnel.



This symbol, wherever it appears, alerts you to the presence of uninsulated dangerous voltage inside the enclosure – voltage that may be sufficient to constitute a risk of shock.



This symbol, wherever it appears, alerts you to the presence of externally accessible hazardous voltage. External wiring connected to any terminal marked with this symbol must be a “ready made cable” complying with the manufacturers recommendations, or must be a wiring installed by instructed persons only.



This symbol, wherever it appears, alerts you to important operating and maintenance instructions in the accompanying literature. Read the manual.



This symbol, wherever it appears, tells you: Take care! Hot surface! To prevent burns you must not touch.



All electrical and electronic products including batteries should be disposed of separately from the municipal waste stream via designated collection facilities appointed by the government or the local authorities.



Read these instructions. Keep these instructions. Follow all warnings and instructions marked on the product and in this manual.

- Do not use this product near water. Do not place the product near water, baths, wash basins, kitchen sinks, wet areas, swimming pools or damp rooms.
- Do not place objects containing liquid on the product – vases, glasses, bottles etc.
- Clean only with dry cloth.
- Do not remove any covers or sections of the housing.
- The set operating voltage of the product must match the local mains supply voltage. If you are not sure of the type of power available consult your dealer or local power company.
- Before connecting the device, please ensure that the mains supply you are using is equipped with adequate protection against short circuiting and grounding faults when the device is plugged in.
- To reduce the risk of electrical shock, the grounding of this product must be maintained. Use only the power supply cord provided with this product, and maintain the function of the center (grounding) pin of the mains connection at any time. Make sure the mains outlet used provides a proper protective ground connection.
- Do not defeat the safety purpose of the polarized or grounding-type plug. A polarized plug has two blades with one wider than the other. A grounding type plug has two blades and a third grounding prong. The wide blade or the third prong are provided for your safety. If the provided plug does not fit into your outlet, consult an electrician for replacement of the obsolete outlet.
- Protect the power cord from being walked on or pinched particularly at plugs, convenience receptacles, and the point where they exit from the device! Power supply cords should always be handled carefully. Periodically check cords for cuts or sign of stress, especially at the plug and the point where the cord exits the device.
- Never use a damaged power cord.
- Unplug this product during lightning storms or when unused for long periods of time.

• This product can be fully disconnected from mains only by pulling the mains plug at the unit or the wall socket. The product must be placed in such a way at any time, that disconnecting from mains is easily possible.

• Fuses: Replace with IEC127 (5x20mm) type and rated fuse for best performance only! It is prohibited to use “patched fuses” or to short the fuse-holder. Replacing any kind of fuses must only be carried out by qualified service personal.

• Refer all servicing to qualified service personnel. Servicing is required when the unit has been damaged in any way, such as:

- When the power cord or plug is damaged or frayed.
- If liquid has been spilled or objects have fallen into the product.
- If the product has been exposed to rain or moisture.
- If the product does not operate normally when the operating instructions are followed.
- If the product has been dropped or the cabinet has been damaged.

• Do not connect external speakers to this product with an impedance lower than the rated impedance given on the product or in this manual. Use only cables with sufficient cross section according to the local safety regulations.

• Keep away from direct sunlight.

• Do not install near heat sources such as radiators, heat registers, stoves or other devices that produce heat.

• This apparatus is for moderate climates areas use, not suitable for use in tropical climates countries.

• Do not block any ventilation openings. Install in accordance with manufacturer's instructions. This product must not be placed in a built-in installation such as a rack unless proper ventilation is provided.

• Always allow a cold device to warm up to ambient temperature, when being moved into a room. Condensation can form inside it and damage the product, when being used without warming up.

• Do not place naked flame sources, such as lighted candles on the product.

• The device must be positioned at least 20 cm/8" away from walls.

• Use only with the cart, stand, tripod, bracket or table specified by the manufacturer or sold with the product. When a cart is used, use caution when moving the cart/product combination to avoid injury from tip-over.

• Use only accessories recommended by the manufacturer, this applies for all kind of accessories, for example protective covers, transport bags, stands, wall or ceiling mounting equipment. In case of attaching any kind of accessories to the product, always follow the instructions for use, provided by the manufacturer. Never use fixing points on the product other than specified by the manufacturer.

• This appliance is NOT suitable to be used by any person or persons (including children) with limited physical, sensorial or mental ability, or by persons with insufficient experience and/or knowledge to operate such an appliance. Children under 4 years of age must be kept away from this appliance at all times.

• Never push objects of any kind into this product through cabinet slots as they may touch dangerous voltage points or short out parts that could result in risk of fire or electric shock.

• This product is capable of delivering sound pressure levels in excess of 90 dB, which may cause permanent hearing damage! Exposure to extremely high noise levels may cause a permanent hearing loss. Wear hearing protection if continuously exposed to such high levels.

• The manufacturer only guarantees the safety, reliability and efficiency of this product if:

- Assembly, extension, re-adjustment, modifications or repairs are carried out by the manufacturer or by persons authorized to do so.
 - The electrical installation of the relevant area complies with the requirements of IEC (ANSI) specifications.
 - The unit is used in accordance with the operating instructions.
- This product is optimized for use with music and speech signals. Using this product with sine wave, square wave or other kind of measuring signals at higher level may lead to severe damage of the product.

General Notes on Safety for Loudspeaker Systems



Mounting systems may only be used for those loudspeaker systems authorized by the manufacturer and only with the mounting accessories specified by the manufacturer in the installation instructions. Read and heed the manufacturer's installation instructions. The indicated load-bearing capacity cannot be guaranteed and the manufacturer will not be liable for damages in the event of improper installation or the use of unauthorized mounting accessories.

The system's load-bearing capacity cannot be guaranteed and the manufacturer will not be liable for damages in the event that loudspeakers, mounting accessories, and connecting and attaching components are modified in any way.

Components affecting safety may only be repaired by the manufacturer or authorized agents, otherwise the operating permit will be voided.



Installation may be performed qualified personnel only, and then only at pick-points with sufficient load-carrying capacity and in compliance with local building regulations. Use only the mounting hardware specified by the manufacturer in the installation instructions (screws, anchors, etc.). Take all the precautions necessary to ensure bolted connections and other threaded locking devices will not loosen.



Fixed and portable installations (in this case, speakers and mounting accessories) must be secured by two independent safeties to prevent them from falling. Safeties must be able to catch accessories or parts that are loose or may become loose. Ensure compliance with the given national regulations when using connecting, attaching, and rigging devices. Factor potential dynamic forces (jerk) into the equation when determining the proper size and load-bearing capacity of safeties.



Be sure to observe speaker stands' maximum load-bearing capacity. Note that for reasons of design and construction, most speaker stands are approved to bear centric loads only; that is, the speakers' mass has to be precisely centered and balanced. Ensure speaker stands are set up stably and securely. Take appropriate added measures to secure speaker stands, for example when:

- the floor or ground surface does not provide a stable, secure base.
- they are extended to heights that impede stability.
- high wind pressure may be expected.
- there is the risk that they may be knocked over by people.

Special measures may become necessary as precautions against unsafe audience behavior. Do not set up speaker stands in evacuation routes and emergency exits. Ensure corridors are wide enough and put proper barriers and markings in place when setting speaker stands up in passageways. Mounting and dismounting are especially hazardous tasks. Use aids suitable for this purpose. Observe the given national regulations when doing so.



Wear proper protection (in particular, a helmet, gloves, and safety shoes) and use only suitable means of ascent (ladders, scaffolds, etc.) during installation. Compliance with this requirement is the sole responsibility of the company performing the installation.



WARNING! After installation, inspect the system comprised of the mounting fixtures and loudspeakers to ensure it is properly secured.

The operator of loudspeaker systems (fixed or portable) must regularly inspect or task a third party to regularly inspect all system components in accordance with the given country's regulations and have possible defects repaired immediately. We also strongly recommend maintaining a logbook or the like to document all inspections.

When installing speakers for longer lasting or permanent outdoor operation, be sure to take into account the stability and load-bearing capacity of platforms and surfaces; loads and forces exerted by wind, snow, and ice; as well as thermal influences. Also be sure to provide sufficient safety margins for the rigging points used for flown systems. Observe the given national regulations when doing so.

- Ask the manufacturer if your product is allowed for outdoor usage !



Professional loudspeaker systems can produce harmful volume levels. Even prolonged exposure to seemingly harmless levels (starting at about 95 dBA SPL) can cause permanent hearing damage! Therefore we recommend that everyone who is exposed to high volume levels produced by loudspeaker systems wears professional hearing protection (earplugs or earmuffs).

Manufacturer: Stamer Musikanlagen GmbH, Magdeburger Str. 8, 66606 St. Wendel, Germany

PREMIUM PR:0 SERIES

Self-powered cabinets

Welcome to the HK Audio family!

Thank you for choosing a brand-name product made by our company. Rest assured, we engineered and built it with the greatest care so it will serve you well for many tomorrows to come.



Even if your experience with sound systems runs deep, some things about this product are sure to be new to you. This is why we ask that you do not set this manual aside without reading it first. Be sure to keep it in a safe place for later reference.

Here's wishing you the best sound at every occasion!

Your HK Audio team

Warranty

Use the convenient online registration option at www.hkaudio.com.



<http://warranty.hkaudio.com>

The registration is only valid if the device is registered within 30 days of the date of purchase.

HK AUDIO

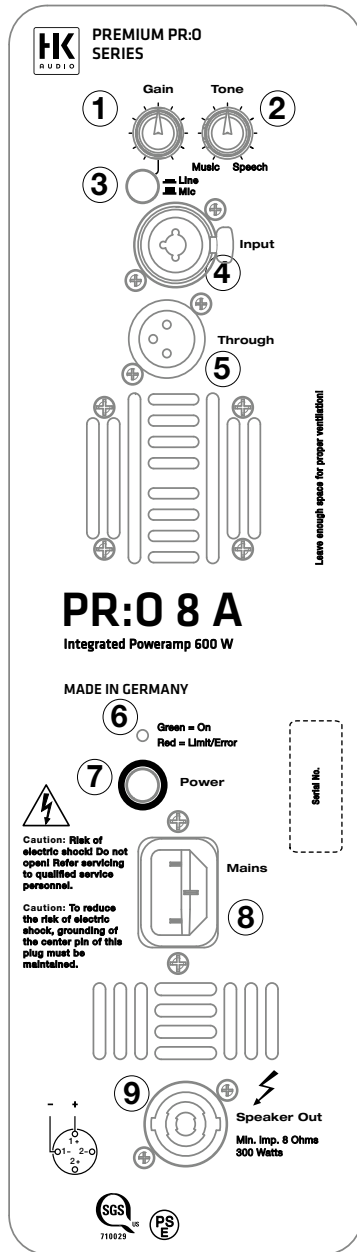
Technischer Service
Postfach 1509
66595 St. Wendel, Germany
Fax: +49 6851 905 100

Table of contents

1	PR:0 8 A, PR:0 10 XA, PR:0 12 A, PR:0 12 MA, PR:0 15 A, PR:0 15 XA	4
1.1	Control Features.....	4
1.2	Setting Up and Connecting Cabinets.....	4
1.3	Operating Speakers.....	4
1.4	Settings	5
1.5	Alignment.....	5
2	PR:0 18 Sub A, PR:0 210 Sub A.....	6
2.1	Control Features.....	6
2.2	Setting Up and Connecting the Cabinets.....	6
2.3	Operating Speakers.....	6
2.4	Settings	7
3	Tips and Tricks.....	7
4	Troubleshooting	7

1 PR:O 8 A, PR:O 10 XA, PR:O 12 A, PR:O 12MA, PR:O 15 A, PR:O 15 XA

1.1 Control Features



1 Gain

This knob adjusts the input level.

2 Tone (not available on the PR:O 12 MA)

The Tone knob lets you optimize your active speaker cabinet for music or speech applications. It uses a special filtering setup that adapts frequency response to suit the given requirements. Room acoustics vary as does the cabinet's position, so we recommend you find the optimum position by piping in a full-fledged music signal, using a microphone, and twisting

the knob. Turning it towards „Speech“ boosts vocal signals, and turning it towards „Music“ conjures a bigger, bolder sonic image with more low end and less midrange frequencies.

The Tone knob lets you tune the speaker cabinet to suit music or public address applications. Its special filtering circuit adapts its frequency response to the given requirements.

Note: Twisting the Tone knob counterclockwise towards Music gradually attenuates a broad midrange frequency band with a center frequency of 1500 Hz (2500 Hz - PR:O 10 XA, 2600 Hz - PR:O 8 A). The maximum cut is 2 dB, achieved by setting the knob to the far left position. At the same time, this adjustment boosts bass frequencies in the range of 80 to 100 Hz in equal measure by up to 2 dB. Twisting the Tone knob counterclockwise towards Speech achieves the opposite effect, boosting the midrange frequency band and cutting bass frequencies accordingly by up to 2 dB.

A special corrective circuit compensates for this EQ effect so that the perceived volume level remains the same despite the change in tone. Setting the knob to the center position defeats the filter.

3 Mic/Line Switch (not on the PR:O 12 MA)

When patching in a microphone, adjust the input gain by setting the Line/Mic button to Mic. This provides a 30-dB gain boost, thereby optimizing the input for microphone signals.

4 Input

This electronically balanced XLR/ 1/4" combi input accepts mixer signals (pin 1= ground, 2= +, 3= -).

5 Through

This parallel output patches the incoming line signal through, for example, to other PREMIUM PR:O active speakers or monitors.

6 Limiter Status LED

This dichromatic LED indicates the signal level and limiter status. Green means the signal level is okay; red means the limiter has engaged and is responding to high-volume signal peaks.

CAUTION! This is not a clip LED. It's okay if it lights up red briefly every now and then; this merely indicates the RMS Limiter is operating. If the signal LED remains constantly in the red at signal peaks, check the source signal's input level and back off the speaker's Gain knob. A status LED that lights up red continuously indicates there is a fault in the speaker system.

7 Power Switch

This is the PREMIUM PR:O powered cabinet's on/off button. The signal LED lights up green to indicate the cab is powered up.

Note: The Power button is embedded to prevent unintentional actuation. When set to POWER ON, the button sits almost flush

with the connector panel. This ensures it is not engaged accidentally, yet remains readily accessible.

8 Mains Input

Use the factory-included mains cord to connect this socket to a wall outlet.

Note: All PREMIUM PR:O active speakers are equipped with V-Lock mains sockets. If you use a VOLEX locking brand with the same design, you can fix the mains cord in place to prevent accidental disconnection.

9 Parallel Speaker Out

Use this Speakon NL4 output to connect another passive PREMIUM PR:O enclosure or another manufacturer's passive cabinet.

Be sure to watch the impedance rating, connecting no more than one enclosure with an impedance no lower than 8 ohms. The power amp delivers up to 300 watts to this output.

1.2 Setting Up and Connecting Cabinets

Connect cords routed from your mixer (monitor out, line out, or a similar output) to the balanced Input sockets using a cord equipped with standard XLR microphone connectors. Make sure the XLR connectors' terminals are configured as follows:

1= ground, 2= +, 3= -.

If you wish to connect a microphone directly to the PREMIUM PR:O active cabinet without going into a mixer first, plug it into the balanced Input socket and set its input sensitivity to Mic. Use a standard XLR microphone cord to do this. Make sure the XLR connectors' terminals are configured as follows:

1= ground, 2= +, 3= -.

1.3 Operating Speakers

• First make sure the powered cabinet is off. **CAUTION! Make sure the local mains voltage matches the PREMIUM PR:O active cabinet's specified voltage. If you connect the PREMIUM PR:O cab to the wrong mains voltage, you may destroy its electronic components.**

- Back the Gain and Line/Mic knobs all the way off, turning them counterclockwise as far as they will go.
- When connecting line signals, be sure to first switch on all other connected components first; that is, the connected mixer and signal sources patched into it, such as keyboards, instrument amps, effects and so forth.

Confirm that the PREMIUM PR:O powered enclosure's Mic/Line control is set to the correct mode, the standard mode being Line.

- Again, always switch on the PREMIUM PR:O active cabinet last, that is, after you switch on all connected devices. After you power the system up by engaging the Power switch, a system check prompts the fan to briefly kick on and back off again in about five seconds. The fan is temperature-controlled, actuating only at very high volumes and temperatures requiring cooling.
- After you power up the cab by engaging the Power switch, the Power LED lights up green when the cabinet receives mains power. Set the Gain Line In knob to the center or 12 o'clock position (= 0 dBV). This is the preferred level if you have connected a mixer to the PREMIUM PR:O active cabinet. If you are patching a CD player or keyboard straight into the cab, turn the Gain Line In knob clockwise all the way to the far right to achieve maximum volume. If the input signal is still too weak, boost the level at the signal source, for instance, by adjusting an MP3 player's volume knob.

If necessary, you can turn the PREMIUM PR:O powered enclosure's Gain knob counterclockwise to the far left position and then press the Mic/Line button. This boosts the input signal by 30 dB. Then adjust the input gain by slowly turning the Gain knob to the right until you attain the desired volume. For the best audio results, ensure the Limiter LED (red) does not light up continuously.

1.4 Settings

Adjusting volume with the Gain knob

Twist this knob and engage the Mic/Line switch line to adjust microphone and line signal levels.

If you hear distortion or saturated signals, first check the signal sources and, if possible, reduce the output signal level there. If you cannot adjust the level of the signal routed to the PREMIUM PR:O active cabinet at the source, match it to the power amps by backing off the Gain Line In knob. **CAUTION: Never tape over the plug's ground terminal - this endangers lives!**

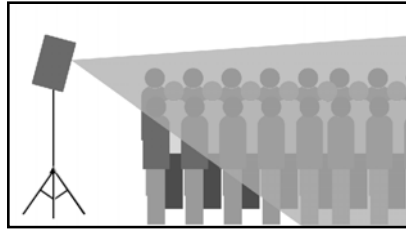
Tone (not available on the PR:O 12 MA)

Starting at the center or 12 o'clock position, you can EQ the sonic image by turning the knob to the right or left. Set it to „Music“ to attenuate midrange frequencies somewhat and boost the low range frequencies for live or CD signals. Setting the knob to „Speech“ enhances intelligibility for public address purposes. A corrective circuit automatically compensates for EQ, balancing out the overall volume for each setting.

1.5 Alignment

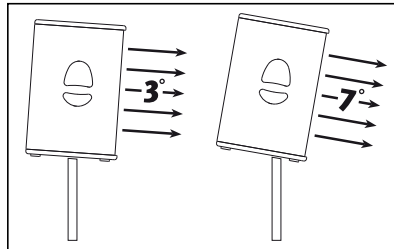
HK Audio DuoTilt™

(apart from the PR:O 12 MA, HK Audio Mono Tilt™ with a 3° angle tilt for the PR:O 8 A)



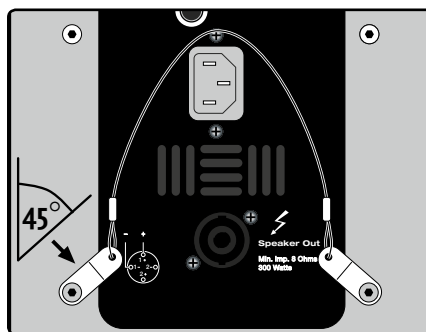
The HK AUDIO DuoTilt™ pole mount lets you align PREMIUM PR:O active cabinets along the horizontal plane to prevent or reduce troublesome ceiling reflections. The front aperture of the HK AUDIO DuoTilt™ provides a 3° angle, the rear aperture a 7° angle of tilt.

If you set the full-range cabinets on a fully extended cabinet tripod or mounting pole, opt for the 7° angle. This setting works especially well when addressing fewer listeners standing close to the speakers. If you wish to address more listeners further from the speakers, opt for the 3° angle on the HK AUDIO DuoTilt™.



Curving cable (for the PR:O 8 A only)

Included you'll find a curving cable. It aligns the PR:O 8 A vertically, for instance, if you wish to install the enclosure or mount it to a from a truss. Simply attach it using the bolts at the bottom of the cabinet's housing.



Attaching the curving cable:

The curving cable lets you precisely aim the flown PR:O 8 A cab.

It attaches to the back of the PR:O 8 A.

- Remove the bottom two bolts from the connector panel.
- Place the washers over the two holes.
- Insert the bolts to fasten the two plates attached to the curving cable to the cabinet at a 45° angle (refer to the diagram).

Note: The plates must be aligned to a 45° angle to ensure safe operation!

- Tighten the bolts.

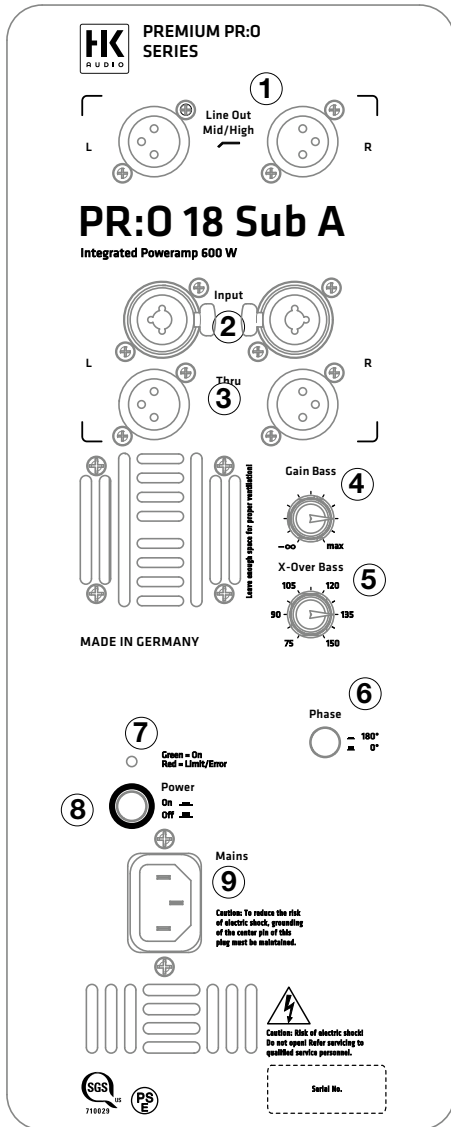
The cable kit includes:

- two washers
- two 5x25 mm recessed hex-head bolts
- one cable with mounting plates

Caution: The curving cable serves solely to tilt the cabinet; it is not a rigging point!

2 PR:O 18 Sub A, PR:O 210 Sub A

2.1 Control Features



1 Out L / Out R (Line Out Mid / High)

These two electronically balanced XLR outputs serve to connect PREMIUM PR:O satellites (pin 1= ground, 2= +, 3= -).

2 Input L / Input R

These two electronically balanced XLR / 1/4" combi inputs accept signals from mixing consoles (pin 1= ground, 2= +, 3= -).

3 Through L / Through R

These two parallel outputs patch incoming line signals through, for example, to other PREMIUM PR:O active speakers or monitors (pin 1= ground, 2= +, 3= -).

4 Gain Bass

This knob adjusts the input level (center position = 0 dBV).

The 12 o'clock position is the ideal starting point when operating the subwoofer in combination with a PREMIUM PR:O active cabinet. Then you can simply twist the knob to the left or right to cut and boost bass frequencies. If you connect a PREMIUM PR:O satellite, first set the Gain knob to the center detent and then adjust the level to suit the given sound reinforcement situation.

5 X-Over-Bass

The active crossover can serve to vary the top cutoff frequency of the subwoofer with a range of 75 to 150 Hz. The best cutoff frequency for the given application depends on the surroundings and satellite, so you will have to experiment.

Note: If you set the cutoff to a frequency higher than 110 Hz, the subwoofer will render mostly the lower frequencies of signals generated by bass guitars, kick drums, and low-end keyboard sounds. If you set the cutoff to a frequency higher than 110 Hz, the subwoofer will also render the lower frequencies of voices and other sound sources.

6 Phase

The Phase switch changes the subwoofer's phase position to match it to the connected satellite's phase position (0° - 180°). Set the switch to 0° when operating the PR:O 18 Sub A in combination with a PREMIUM PR:O active cabinet. The PR:O 210 Sub A's phase has to be reversed 180° to ensure it is in phase with PREMIUM PR:O mid-/high-range units.

You may have to invert the phase for combinations with other enclosures. If you are unsure, simply try the 180° setting. If the bass response changes and the signal sounds weak and washed out, the phase setting is incorrect.

7 Limiter Status LED

This dichromatic LED indicates the signal level and limiter status. Green means the signal level is okay; red means the limiter has engaged and is responding to high-volume signal peaks.

CAUTION! This is not a clip LED. It's okay if it lights up red briefly every now and then; this merely indicates the RMS Limiter is operating. If the signal LED remains constantly in the red at signal peaks, check the source signal's input level and back off the speaker's Gain knob. A status LED that lights up red continuously indicates there is a fault in the speaker system.

8 Power Switch

This is the PREMIUM PR:O powered cabinet's on/off button. The signal LED lights up green to indicate the cab is powered up.

Note: The Power button is embedded to prevent unintentional actuation. Set to Power On, the button sits almost flush with the connector panel. This ensures it is not engaged accidentally, yet remains readily accessible.

9 Mains Input

Use the factory-included mains cord to connect this socket to a wall outlet.

Note: All PREMIUM PR:O active speakers are equipped with V-Lock mains sockets. If you use a VOLEX locking mains cord or another optionally available brand with the same design, you can fix the mains cord in place to prevent accidental disconnection.

2.2 Setting Up and Connecting the Cabinet

Connect cords routed from your mixer (monitor out, line out, or a similar output) to the balanced Input sockets using a cord equipped with standard XLR microphone connectors. Then connect the active satellites to the XLR outputs labeled X-Over Out. Use the two Through ports to feed the fullrange signal to other enclosures. Make sure the XLR connectors' terminals are configured as follows: 1= ground, 2= +, 3= -. If only one Input signal is available, select "Input L". To get full power out of the system, connect "Through L" with "Input R" via XLR cords.

2.3 Operating Speakers

- First make sure the powered cabinet is off.

CAUTION! Connect the cabinet to the mains supply only after you are certain the local mains voltage matches the voltage specified on the rear panel. If you connect the system to the wrong mains voltage, you may destroy the electronic components of the PREMIUM PR:O active cabinet.

- Back the Gain knobs all the way off, turning them counterclockwise as far as they will go. Ensure you first switch on all other connected components, for example, a connected mixing console as well as all signal sources patched into it, such as keyboards, instrument amps, effects and so forth. Always connect PREMIUM PR:O active cabinets to Line Out Mid/High, and always switch them on last; that is, after you switch on all other connected components. When you powering down, first turn the Gain knobs to the far left and switch active cabinets off first, before switching off any connected devices.

After you power the system up by engaging the Power switch, a system check prompts the fan to briefly kick on and back off again in about five seconds. The fan is temperature-controlled, actuating only at very high volumes and temperatures requiring cooling.

- The Power LED lights up green when the cabinet receives mains power.

Set the Gain Line In knob to the center or 12 o'clock position (= 0 dBV). This is the preferred level if you have connected a mixer to the PREMIUM PR:O active cabinet. You can boost the

input level 6 dB by turning up the Gain knob. For the best audio results, ensure the Limiter LED (red) does not light up continuously.

2.4 Settings

Adjusting volume with the Gain knob

Twist this knob to adjust microphone and line signal levels.

If you hear distortion or saturated signals, first check the signal sources and, if possible, reduce the output signal level there. If you cannot adjust the level of the signal routed to the PREMIUM PR:O active cabinet at the source, match it to the power amps by backing off the Gain knob to lower the input level.

3 Tips and Tricks

1 Do not expose electronic circuitry to moisture! Protect cabinets against rain when you set them up outdoors. Keep soft drinks, beer, and any other liquids away from the electronic components to prevent short circuits.

2 PREMIUM PR:O active enclosures provide optimum sound to you, so be sure to provide optimum input signals to them! Noise such as humming is generally caused by defective cables, the wrong type of cords, or unbalanced signals routed into the mixing console. Check all signal and mains cables.

3 Prevent distortion! Not only is it unpleasant to your audience's ears, it also endangers your equipment. Make sure all components that are connected directly and indirectly to PREMIUM PR:O active cabinets have sufficient power ratings, and that they don't distort because they're running at their respective limits. Ensure all sources deliver clean audio signals.

4 Avoid ground loops! Annoying humming can arise even within audio systems with balanced circuits, for example, when the mixing console's mains cord isn't connected and grounded to the same mains circuit as PREMIUM PR:O active enclosures. Using two different ground circuits can create a ground loop. To prevent this problem, always connect PREMIUM PR:O active enclosures and the mixing console to the same electrical circuit; that is, the same phase!

CAUTION: Never tape over the plug's ground terminal - this endangers lives!

4 Troubleshooting

The POWER LED does not light up when switched on.

- Check if the mains cord is plugged into the Mains Input.
- Check if the mains power supply is providing current.

The Power LED lights up red, flashing intermittently.

- The Limiter has actuated; lower the input level if necessary.

The Power LED lights up red continuously, but no sound is issuing from the cabinet.

- The enclosure's protective circuit has tripped. Please contact your authorized dealer.

The rendered music sounds distorted.

- Check your mixing console's LED meters. They should not be constantly in the red. If necessary, back off the volume at the mixer.
- If the LED displays on your mixer are in the green, back off the PREMIUM PR:O active cabinet's Gain knob.
- Observe the Limiter LEDs on the PREMIUM PR:O active enclosure's control panel. These may light up red, but only intermittently. The red light may not illuminate continuously. If it does, turn down the Gain knob

Wichtige Sicherheitshinweise!

Bitte vor Anschluss lesen!

Dieses Produkt wurde gemäß IEC 60065 hergestellt und hat das Werk in einem sicheren, betriebsfähigen Zustand verlassen. Um diesen Zustand zu erhalten und um einen gefahrlosen Betrieb zu gewährleisten, ist es notwendig, dass der Benutzer die Empfehlungen und Warnhinweise befolgt, die in der Betriebsanleitung zu finden sind. Bei Einsatz dieses Produktes in Fahrzeugen, Schiffen oder Flugzeugen, oder in Höhen oberhalb 2000 m Meereshöhe müssen die entsprechenden Sicherheitsstandards zusätzlich zur IEC 60065 beachtet werden.

WARNUNG: Um das Risiko von Feuer oder Stromschlag zu verhüten, darf dieses Gerät weder Feuchtigkeit noch Regen ausgesetzt werden. Öffnen Sie das Gehäuse nicht – im Inneren gibt es keine Bauteile, die vom Benutzer zu warten sind. Die Wartung darf nur von einem qualifiziertem Kundendienst durchgeführt werden.



Dieses Symbol, wo immer es erscheint, warnt Sie vor gefährlicher, nicht isolierter Spannung im Gehäuse – Spannung, die möglicherweise genügt, eine Stromschlaggefahr darzustellen.



Dieses Symbol, wo immer es erscheint, warnt Sie vor von außen zugänglicher, gefährlicher Spannung. Eine Verbindung zu jeder Anschlussklemme, die mit diesem Symbol versehen ist, darf nur mit konfektioniertem Kabel hergestellt werden, dass den Empfehlungen des Herstellers genügt, oder mit Kabel, das von qualifiziertem Personal installiert wurde.



Dieses Symbol, wo immer es erscheint, macht Sie auf wichtige Bedienungs- und Wartungsanweisungen aufmerksam, die in beiliegenden Unterlagen zu finden sind. Bitte lesen Sie das Handbuch.



Dieses Symbol, wo immer es erscheint, sagt Ihnen: Vorsicht! Heiße Oberfläche! Um Verbrennungen zu vermeiden, nicht anfassen.



Elektro- und Elektronikgeräte einschließlich Batterien sind getrennt vom Hausmüll über offizielle Sammelstellen fachgerecht zu entsorgen.



Bitte lesen Sie diese Anweisungen. Bewahren Sie diese Anweisungen auf. Befolgen Sie alle Warnhinweise und Anweisungen auf dem Gerät und in dieser Anleitung.

- Benutzen Sie dieses Gerät nicht in der Nähe von Wasser. Stellen Sie das Gerät nicht in der Nähe von Wasser, Badewannen, Waschbecken, Küchenspülen, nassen Stellen, Schwimmbecken oder in feuchten Räumen auf.
- Stellen Sie keine Gefäße, wie Vasen, Gläser, Flaschen usw., die Flüssigkeiten enthalten, auf das Gerät.
- Reinigen Sie das Gerät nur mit einem trockenen Tuch.
- Entfernen Sie keine Abdeckungen oder Teile des Gehäuses.
- Die auf dem Gerät angegebene Betriebsspannung muss mit der örtlichen Spannung der Netzstromversorgung übereinstimmen. Wenn Sie sich nicht sicher sind, welche Spannung in Ihrem Netz zur Verfügung steht, konsultieren Sie bitte Ihren Händler oder den örtlichen Stromversorger.
- Stellen Sie vor Anschluss des Gerätes unbedingt sicher, dass die Netzstromversorgung über ausreichende Schutzvorrichtungen gegen Kurzschluss und Erdungsfehler angeschlossener Geräte verfügt.
- Um das Risiko eines Stromschlags zu verringern, muss die Erdung des Gerätes beibehalten werden. Verwenden Sie nur das mitgelieferte Stromführungskabel und behalten Sie die Funktion der seitlichen, geerdeten Schutzkontakte des Netzanschlusses immer aufrecht. Stellen Sie sicher, dass das Gerät nur an Steckdosen angeschlossen wird, die über eine ordnungsgemäß funktionierende Schutzerde verfügen.
- Schützen Sie das Stromführungskabel vor Betreten und Quetschen, besonders in der Nähe der Stecker, Gerüststeckdosen – und dort, wo sie am Gerät austreten! Stromführungskabel sollten immer vorsichtig behandelt werden. Kontrollieren Sie die Stromführungskabel in regelmäßigen Abständen auf Einschnitte und Anzeichen von Abnutzung, besonders in der Nähe des Steckers und an der Verbindung zum Gerät.
- Benutzen Sie niemals ein beschädigtes Stromführungskabel.
- Ziehen Sie bei Gewittern den Stecker des Gerätes und wenn das Gerät über einen längeren Zeitraum nicht benutzt wird.
- Dieses Gerät wird nur vollständig vom Stromnetz getrennt, wenn der Stecker vom Gerät oder aus der Steckdose gezogen wird. Das Gerät sollte so aufgestellt werden, dass das Trennen vom Stromnetz leicht möglich ist.

- Sicherungen: Ersetzen Sie Sicherungen nur mit dem Typ IEC127 (5x20mm) und dem korrekten Nennwert, um die optimale Leistung zu gewährleisten! Es ist untersagt, kurzgeschlossene Sicherungen zu verwenden oder den Sicherungshalter zu überbrücken. Sicherungen dürfen nur von qualifiziertem Personal gewechselt werden.
- Alle Wartungsarbeiten sollten nur von qualifiziertem Personal ausgeführt werden. Wartung ist notwendig, wenn das Gerät auf irgendeine Weise beschädigt wurde, wie zum Beispiel:
 - Wenn das Stromführungskabel oder der Stecker beschädigt oder abgenutzt ist.
 - Wenn Flüssigkeit oder Gegenstände in das Gerät gelangt sind.
 - Wenn das Gerät Regen oder Feuchtigkeit ausgesetzt war.
 - Wenn das Gerät nicht ordnungsgemäß funktioniert, obwohl die Bedienungsanleitung beachtet wurde.
 - Wenn das Gerät hingefallen ist oder das Gehäuse beschädigt wurde.
- Beim Anschluss von Lautsprechern an dieses Gerät darf die auf dem Gerät oder in dieser Anleitung angegebene Mindestimpedanz nicht unterschritten werden. Die verwendeten Kabel müssen entsprechend den lokalen Regelungen über einen ausreichenden Querschnitt verfügen.
- Halten Sie das Gerät vom Sonnenlicht fern.
- Installieren Sie das Gerät nicht in der Nähe von Wärmequellen, wie zum Beispiel Heizkörper, Heizregister, Öfen oder anderen Geräten, die Hitze erzeugen.
- Dieses Gerät wurde für die Verwendung in gemäßigten Klimazonen entwickelt. Nicht geeignet zur Verwendung in tropischen Klimazonen.
- Verstopfen Sie nicht die Lüftungsöffnungen. Installieren Sie das Gerät entsprechend der Anleitung des Herstellers. Das Gerät darf nicht eingebaut werden – wie zum Beispiel in einen Gestellrahmen, es sei denn, dass für angemessene Belüftung gesorgt wird.
- Ein kaltes Gerät sollte immer auf die Umgebungstemperatur erwärmt werden, wenn es in einen Raum transportiert wird. Es könnte sich Kondensation im Inneren bilden, die das Gerät beschädigt, wenn es ohne vorherige Erwärmung benutzt wird.
- Stellen Sie keine offenen Flammen, wie brennende Kerzen, auf das Gerät.
- Das Gerät sollte mindestens 20 cm von Wänden aufgestellt werden.
- Das Gerät darf nur mit Rollwagen, Ständern, Stativen, Tischen oder Halterungen benutzt werden, die vom Hersteller spezifiziert sind oder zusammen mit dem Gerät verkauft wurden. Wenn ein Rollwagen benutzt wird, seien Sie vorsichtig, wenn Sie die Rollwagen/Geräte-Kombination transportieren, um Verletzungen durch Umkippen zu vermeiden.
- Verwenden Sie nur Zubehör, das vom Hersteller empfohlen ist. Das gilt für alle Arten von Zubehör, wie zum Beispiel Schutzabdeckungen, Transporttaschen, Ständer sowie Wand- und Deckenhalterungen. Wenn Sie irgendein Zubehör am Gerät anbringen, befolgen Sie immer die Anleitungen des Herstellers. Benutzen Sie nur die Befestigungspunkte des Geräts, die vom Hersteller vorgesehen sind.
- Dieses Gerät ist NICHT geeignet für eine Person oder Personen (einschließlich Kindern) mit eingeschränkten physischen, sensorischen und geistigen Fähigkeiten, oder für Personen mit unzulänglicher Erfahrung und/oder Fachkenntnis, um solch ein Gerät zu bedienen. Kinder unter 4 Jahren sollten stets von diesem Gerät fern gehalten werden.
- Es sollten keinerlei Gegenstände durch die Gehäuseschlitze eingeführt werden, da dadurch gefährliche, spannungsführende Bauteile berührt oder kurzgeschlossen werden können. Dies könnte zu einer Feuer- oder Stromschlaggefahr führen.
- Dieses Gerät ist imstande, Schalldruckpegel von mehr als 90 dB zu produzieren. Dies könnte zu einem dauerhaften Hörschaden führen! Eine Belastung durch extrem hohe Geräuschpegel kann zu einem dauerhaften Hörverlust führen. Bei einer anhaltenden Belastung durch solch hohe Pegel sollte ein Gehörschutz getragen werden.
- Der Hersteller gewährleistet die Sicherheit, Zuverlässigkeit und Leistung des Gerätes nur unter folgenden Voraussetzungen:
 - Einbau, Erweiterung, Neueinstellung, Modifikationen oder Reparaturen werden vom Hersteller oder autorisiertem Personal ausgeführt.
 - Die elektrische Installation des betreffenden Bereiches entspricht den Anforderungen der IEC (ANSI) Maßgaben.
 - Das Gerät wird entsprechend der Bedienungsanleitung benutzt.
- Dieses Produkt ist auf die Verwendung mit Musik- und Sprachsignalen optimiert. Verwendung mit Sinus-, Rechteck- oder anderen Mess-Signalen bei höherem Pegel kann zu ernst Besichtigungen des Geräts führen.

Allgemeine Sicherheitshinweise für Lautsprechersysteme



Befestigungssysteme dürfen ausschließlich für die vom Hersteller freigegebenen Lautsprechersysteme und mit dem in der Montageanleitung genannten Montage-Zubehör verwendet werden. Die Montagehinweise des Herstellers sind dabei unbedingt zu beachten. Bei unsachgemäßer Montage bzw. Verwendung von nicht

freigegebenem Montage-Zubehör kann die angegebene Belastung nicht garantiert und keinerlei Haftung seitens des Herstellers übernommen werden.

Sollten Änderungen an Lautsprechern, an Montage-Zubehör, Verbindungs- und Befestigungselementen sowie Anschlagmitteln vorgenommen werden, kann die Tragfähigkeit des Systems nicht mehr garantiert werden und seitens des Hersteller keinerlei Haftung übernommen werden.

Reparaturen an sicherheitsrelevanten Bauteilen dürfen nur vom Hersteller oder Bevollmächtigten durchgeführt werden, andernfalls erlischt die Betriebserlaubnis.



Die Installation darf ausschließlich durch Sachkundige und nur an Montagepunkten mit ausreichender Tragfähigkeit, ggf. unter der Berücksichtigung von Bauauflagen, erfolgen. Das vom Hersteller in der Montageanleitung vorgeschriebene Befestigungsmaterial (Schrauben, Dübel, etc.) muss verwendet werden. Schraubverbindungen müssen durch geeignete Maßnahmen gegen Lösen gesichert sein.



Ortsfeste oder mobile Installationen (hier Lautsprecher inkl. Montagezubehör) müssen durch zwei unabhängig voneinander wirkende Einrichtungen gegen Herabfallen gesichert sein. Lose Zusatzteile oder sich lösende Teile müssen durch geeignete Einrichtungen aufgefangen werden können. Bei Verwendung von Verbindungs- und Befestigungselementen sowie Anschlagmitteln sind die nationalen Vorschriften zu beachten. Hinsichtlich der Bemessung der Sicherungsmittel sind mögliche dynamische Belastungen (Ruckkräfte) mit zu berücksichtigen.



Bei Stativen ist vor allem die maximale Traglast zu beachten. Außerdem sind die meisten Stative aus konstruktiven Gründen nur für das Tragen von genau zentrischer Belastung zugelassen. Stative müssen standsicher aufgestellt werden. Stative sind durch geeignete Maßnahmen zusätzlich zu sichern, wenn zum Beispiel:

- ihre Aufstandfläche keinen sicheren Stand zulässt,
- ihre Höhen die Standsicherheit einschränken,
- mit zu hohem Winddruck zu rechnen ist,
- damit zu rechnen ist, dass sie durch Personen umgestoßen werden. Besondere Maßnahmen können auch zur Vorsorge gegen gefährdendes Verhalten von Zuschauern erforderlich werden. Stative dürfen nicht in Flucht- und Rettungswegen aufgestellt werden. Bei Aufstellung in Verkehrswegen ist auf die erforderliche Breite der Wege und auf ordnungsgemäße Absperrung sowie Kennzeichnung zu achten. Beim Auf- und Absetzen ist eine besondere Gefährdung gegeben. Hierzu sind geeignete Hilfsmittel zu verwenden. Es sind hierbei die nationalen Vorschriften zu beachten.



Während der Montage ist geeignete Schutzausrüstung (insbesondere Kopfschutz, Handschuhe und Sicherheitsschuhe) zu tragen und es sind nur geeignete Aufstiegshilfen (Leitern, Gerüste, etc.) zu verwenden. Die Verantwortung dafür liegt alleine beim ausführenden Installationsbetrieb.



ACHTUNG! Nach der Montage ist die Aufhängung des System aus Halterung und Lautsprecher auf sichere Befestigung zu überprüfen. Der Betreiber von Lautsprechersystemen (ortsfest oder mobil) ist verpflichtet, alle Systemkomponenten unter Berücksichtigung der jeweils nationalen Regelungen regelmäßig zu überprüfen bzw. prüfen zu lassen und mögliche Schäden unverzüglich beseitigen zu lassen. Weiterhin raten wir dringend zu einer ausführlichen Dokumentation aller Überprüfungsmaßnahmen in Prüfbüchern o.ä.

Bei längerem oder dauerhaftem Einsatz von Lautsprechern im Freien sind für Standsicherheit und Tragfähigkeit von Aufbauten und Flächen insbesondere auch die Windlasten, Schnee- und Eislasten sowie thermische Einflüsse zu berücksichtigen. Insbesondere die Lastaufnahmepegel geflogener Systeme sollten hier mit ausreichenden Sicherheitsreserven dimensioniert werden. Es sind hierbei die nationalen Vorschriften zu beachten.

• Fragen Sie den Hersteller, ob Ihr Produkt für den Betrieb im Freien geeignet ist.



Professionelle Lautsprechersysteme sind in der Lage, gesundheitsschädliche Schallpegel zu erzeugen. Selbst die Einwirkung scheinbar harmloser Schallpegel über einen längeren Zeitraum kann zu bleibenden Schäden am Gehör führen (ab ca. 95 dBA SPL)! Daher raten wir für alle Personen, die durch den Betrieb von Lautsprechersystemen dem Einfluss hoher Schallpegel ausgesetzt sind, zum Tragen von professionellem Gehörschutz (Ohrstöpsel oder Kapselgehörschutz).

Hersteller: Stamer Musikanlagen GmbH, Magdeburger Str. 8, 66606 St. Wendel, Deutschland

PREMIUM PR:0 SERIES

Self-powered cabinets

Willkommen in der HK Audio Familie!

Vielen Dank, dass Sie sich für ein Markenprodukt aus unserem Hause entschieden haben, das mit größter Sorgfalt für Sie entwickelt und gefertigt wurde.



Auch wenn Sie bereits eingehende Erfahrungen mit Beschallungsanlagen gesammelt haben – bei diesem Produkt wird es trotzdem einige Dinge geben, die neu für Sie sind. Legen Sie deshalb diese Bedienungsanleitung nicht ungelesen beiseite und bewahren Sie sie zur späteren Verwendung auf.

Wir wünschen Ihnen allzeit besten Sound!

Ihr HK Audio Team

Garantie

Nutzen Sie die komfortable Online-Registrierung über www.hkaudio.com.



<http://warranty.hkaudio.com>

Die Registrierung ist nur gültig, wenn sie innerhalb von 30 Tagen ab Kaufdatum erfolgte.

HK AUDIO

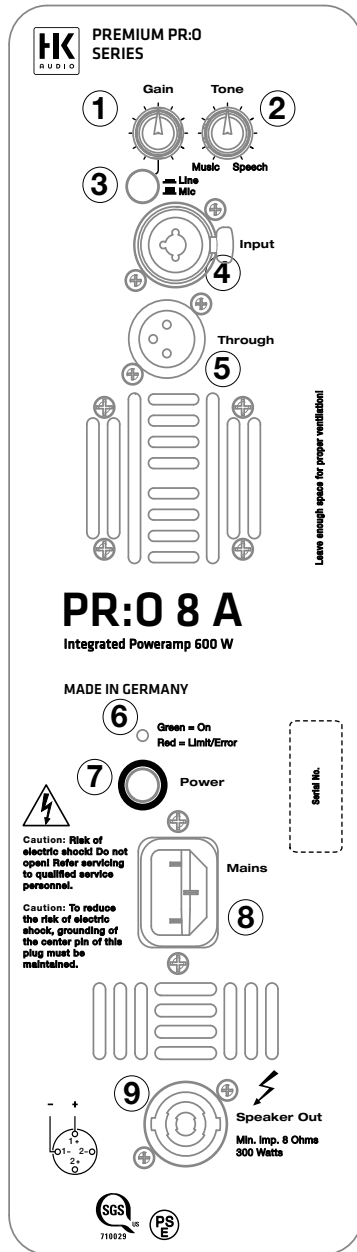
Technischer Service
Postfach 1509
66595 St. Wendel, Deutschland
Fax: +49 6851 905 100

Inhalt

1	PR:0 8 A, PR:0 10 XA, PR:0 12 A, PR:0 12 MA, PR:0 15 A, PR:0 15 XA	10
1.1	Bedienelemente	10
1.2	Anschlüsse und Verkabelung	10
1.3	Inbetriebnahme	10
1.4	Einstellungen	11
1.5	Ausrichtung	11
2	PR:0 18 Sub A, PR:0 210 Sub A	12
2.1	Bedienelemente	12
2.2	Anschlüsse und Verkabelung	12
2.3	Inbetriebnahme	12
2.4	Einstellungen	13
3	Tipps und Tricks	13
4	Fehlerbehebung	13

1 PR:O 8 A, PR:O 10 XA, PR:O 12 A, PR:O 12MA, PR:O 15 A, PR:O 15 XA

1.1 Bedienelemente



1 Gain

Mit diesem Regler wird der Eingangspegel angepasst.

2 Tone (nicht bei PR:O 12 MA)

Mit dem Tone-Regler können Sie Ihren Aktivlautsprecher für Musik- oder Sprachanwendungen optimieren. Hierbei wird eine spezielle Filterung eingesetzt, die den Frequenzgang an die jeweiligen Anforderungen anpasst. Je nach Raumakustik und Aufstellung empfehlen wir Ihnen, die optimale Position mit einem kompletten

Musiksignal und Mikrofon durch Drehen herauszufinden. Der Bereich „Speech“ bringt Stimmen weiter nach vorne, der Bereich „Music“ lässt das Klangbild runder und voluminöser wirken (mehr Bass, weniger Mittenfrequenzen).

Hinweis: Das Drehen des Tone-Reglers nach links (Music) bewirkt eine kontinuierliche Absenkung einer breitbandigen Mittenfrequenz mit der Centerfrequenz von 1500 Hz (2500 Hz- PR:O 10 XA, 2600 Hz- PR:O 8 A) um maximal 2 dB (Linksanschlag). Gleichzeitig wird der Bass-Frequenzbereich von 80 Hz bis 100 Hz im gleichen Pegelverhältnis angehoben. Beim Drehen des Tone-Reglers nach rechts (Speech) wird die gleiche Mittenfrequenz um bis zu 2 dB angehoben und die Bassfrequenz im gleichen Verhältnis abgesenkt.

Eine spezielle Schaltung sorgt dafür, dass die Gesamtlautstärke (Hörempfinden) entsprechend korrigiert wird, damit sich der Klang ändert, nicht aber die subjektive Lautstärke. In der Mittelstellung ist der Filter neutralisiert.

3 Mic/Line Schalter (nicht bei PR:O 12 MA)

Wenn Sie ein Mikrofon anschließen, stellen Sie mit Hilfe des Line/Mic-Schalters die Empfindlichkeit auf „Mic“. Dadurch wird die Eingangsempfindlichkeit um 30 dB erhöht und der Eingang für Mikrofonsignale optimiert.

4 Input

Elektronisch symmetrierte, kombinierte XLR/Klinke-Eingangsbuchse für das Mischpult-Signal (pin 1= Ground, 2= +, 3= -).

5 Through

Paralleler Ausgang zur Weiterleitung des Line-Signals, z.B. an weitere PREMIUM PR:O Aktivboxen oder Monitore.

6 Limiter Status LED

Die zweifarbige LED zeigt den Status des Signals an (Grün = Signal, Rot = Limit). Signalspitzen bei hoher Lautstärke werden durch rotes Aufleuchten angezeigt.

Achtung! Hier handelt es sich hierbei nicht um eine Clip-LED. Die LED darf hin und wieder schon mal kurz rot leuchten, denn dies zeigt lediglich an, dass der RMS Limiter arbeitet. Brennt die Signal LED bei Signalspitzen immer rot und es ist kein Audiosignal hörbar, überprüfen Sie den Eingangspegel der Signalquelle und reduzieren Sie den Lautstärkereglern (Gain) an Ihrer Box. Brennt die Status-LED dauerhaft rot, liegt ein Fehler vor.

7 Power-Schalter

Der Ein/Aus-Schalter für die PREMIUM PR:O Aktivbox. In eingeschaltetem Zustand leuchtet die Signal LED grün.

Hinweis: Der Power-Schalter ist zum Schutz gegen unabsichtliche Bedienung halb eingelassen. Im eingeschalteten Zustand sitzt der Schalter fast bündig mit der Anschlussplatte und wird dadurch vor unabsichtlichem Betätigen gut geschützt, lässt sich aber gut bedienen.

8 Mains Input

Verbinden Sie diese Anschlussbuchse mittels eines Kaltgerätestromkabels (im Lieferumfang enthalten) mit der Netzsteckdose.

Hinweis: Alle PREMIUM PR:O Aktivlautsprecher sind mit verriegelbaren V-Lock Netzeingangsbuchsen ausgestattet. In Kombination mit einem verriegelbaren Anschlusskabel (VOLEX oder baugleich, optional erhältlich) kann das Netzkabel arretiert werden und so gegen versehentliches Herausrutschen gesichert werden.

9 Parallel Speaker Out

Mit diesem Speakon NL4-Ausgang können Sie eine weitere passive PREMIUM PR:O Box oder auch passive Lautsprecher anderer Hersteller anschließen.

Achten Sie darauf, dass die Impedanzangaben eingehalten werden (Max. 1 Box mit minimaler Impedanz 8 Ohm). Die Endstufe gibt an diesem Anschluss maximal 300 Watt ab.

1.2 Anschlüsse und Verkabelung

Schließen Sie die von Ihrem Mischpult kommenden Signalkabel (Monitor Out, Line Out o.ä.) an die symmetrierte Input Buchse mit einem XLR-Mikrofonkabel an. Die Belegung der XLR-Stecker muss dabei wie folgt sein:

1= Ground, 2= +, 3= -

Falls Sie ein Mikrofon direkt ohne Mischpult an die PREMIUM PR:O Aktivbox anschließen möchten, verwenden Sie die symmetrierte Input Buchse und schalten Sie die Eingangsempfindlichkeit auf Mic. Verwenden Sie dazu ein XLR-Mikrofonkabel. Die Belegung der XLR-Stecker muss dabei wie folgt sein:

1= Ground, 2= +, 3= -

1.3 Inbetriebnahme

- Achten Sie darauf, dass die Aktivbox ausgeschaltet ist.

Achtung! Achten Sie darauf, dass die Spannungsangabe der PREMIUM PR:O Aktivbox der Netzspannung entspricht. Der Anschluss an eine falsche Netzspannung kann die elektronischen Elemente der PREMIUM PR:O Aktivbox zerstören.

- Drehen Sie die Gain-Regler (Gain Line/Mic zu (Anschlag links)).
- Achten Sie beim Anschluss eines Line-Signals darauf, dass alle übrigen angeschlossenen Komponenten schon vorher in Betrieb sind. Sowohl das angeschlossene Mischpult als auch alle mit ihm verbundenen Signalquellen wie Keyboards, Instrumentalverstärker, Effekte usw. sollten eingeschaltet sein. Achten Sie nun darauf, dass der Mic/Line-Schalter der PREMIUM PR:O Aktivbox richtig eingestellt ist (Standard = Line).

Die PREMIUM PR:O Aktivbox sollte immer zuletzt, d.h. nach allen anderen Komponenten, eingeschaltet, und zuerst, d.h. vor allen angeschlossenen Geräten, ausgeschaltet werden.

- Nach dem Einschalten mit dem Power-Schalter läuft der Lüfter kurz an (Systemcheck) und geht nach ca. 5 Sekunden aus. Der Lüfter ist temperaturgesteuert. Er läuft nur bei sehr hohen Lautstärken in Betrieb und regelt sich temperaturabhängig.
- Nach dem Einschalten mit dem Power-Schalter leuchtet die Power-LED grün, wenn Spannung anliegt.
- Drehen Sie den Gain Line In-Regler in die Mitte (= 0 dBV). Wenn Sie ein Mischpult zur Ansteuerung der PREMIUM PR:O Aktivbox benutzen, ist diese Pegelstellung zu bevorzugen. Falls Sie direkt einen CD-Player oder z.B. ein Keyboard anschließen, kann je nach Signalstärke der Gain-Regler ganz nach rechts gedreht werden, um die maximale Lautstärke zu erzielen. Sollte das Eingangssignal dann noch zu schwach sein, erhöhen Sie die Lautstärke der Signalquelle (z.B. Regler am MP3-Player).

Gegebenenfalls drehen Sie den Gain-Regler der PREMIUM PR:O Aktivbox ganz nach links zurück und drücken dann den Mic/Line-Schalter. Dadurch wird das Eingangssignal um 30 dB erhöht. Passen Sie dann die Eingangsempfindlichkeit durch langsames Drehen nach rechts auf die gewünschte Lautstärke ein. Die Limiter-LED (rot) sollte hierbei nicht permanent aufleuchten, um das bestmögliche Ergebnis zu erzielen.

1.4 Einstellungen

Lautstärkeanpassung mit dem Gain-Regler

Passen Sie mit diesem Regler und durch Drücken des Mic/Line-Schalters das Eingangssignal für Line- und Mikrofonsignale an.

Falls Verzerrungen oder Übersteuerungen auftreten, überprüfen Sie die Signalquellen und reduzieren Sie nach Möglichkeit dort das Ausgangssignal. Lässt sich das zur PREMIUM PR:O Aktivbox führende Signal auf diese Weise nicht verändern, passen Sie es mit dem Gain Line In-Regler an die Endstufen an.

Achtung! Nie die Masse am Stecker abkleben – (Lebensgefahr!)

Tone (nicht bei PR:O 12 MA)

Von der Mittelstellung aus können Sie das Klangbild durch Drehen nach rechts oder links verändern. In der Stellung „Music“ werden die Mitten etwas reduziert, gleichzeitig der Bassbereich angehoben (Live oder CD-Signal)

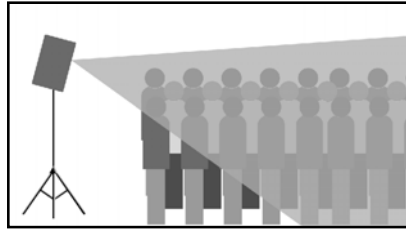
In der Einstellung „Speech“ wird die Sprachverständlichkeit noch einmal erhöht.

Die Gesamtlautstärke wird in jeder Einstellung automatisch korrigiert.

1.5 Ausrichtung

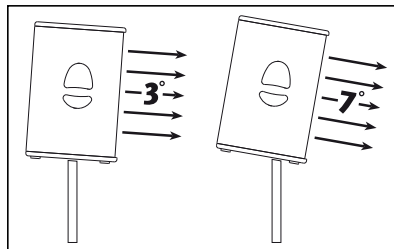
HK Audio DuoTilt™

(nicht PR:O 12 MA; In die PR:O 8 A ist ein HK Audio MonoTilt™ mit 3° Neigungswinkel integriert.)



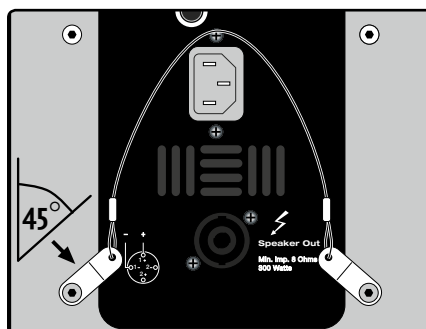
Mit dem HK Audio DuoTilt™ 3/7 kann die PREMIUM PR:O Aktivbox horizontal ausgerichtet werden. Dadurch können störende Reflexionen an der Decke vermieden bzw. verringert werden. Mit der vorderen Öffnung im DuoTilt™ beträgt der Neigungswinkel 3° und mit der hinteren 7°.

Wird die PREMIUM PR:O Aktivbox auf einem voll ausgefahrenem Boxenstativ bzw. Distanzstange betrieben, sollte der 7°-Winkel benutzt werden. Diese Einstellung eignet sich besonders gut, wenn weniger Zuhörer beschallt werden sollen, die unmittelbar in der Nähe der Lautsprecherboxen stehen. Sollen mehr Zuhörer beschallt werden, die sich weiter weg von den Lautsprechern befinden, eignet sich der 3°-Winkel des DuoTilt™.



Curving-Seil (nur bei PR:O 8 A)

Zur vertikalen Ausrichtung der PR:O 8 A (z.B. bei der Festinstallation oder Montage an einer Traverse) liegt ein Curving-Seil bei, das durch einfaches Verschrauben mit den unteren Befestigungsschrauben am Elektronikmodul integriert werden kann.



Montage:

Das Curving-Seil wird an der Rückseite der PR:O 8 A befestigt. Es erlaubt ein genaues Ausrichten der PR:O 8 A im Flugbetrieb.

- Die unteren beiden Schrauben der Anschlussplatte herausdrehen.
- Bringen Sie die Unterlagscheiben an den beiden Löchern an.
- Nehmen Sie nun die zwei am Curving-Seil befestigten Platten und schrauben Sie diese im 45°-Winkel (siehe Zeichnung) an die Box.

Hinweis: Die Platten müssen im 45°-Winkel ausgerichtet sein, ansonsten ist ein sicherer Betrieb nicht gewährleistet!

- Ziehen Sie anschließend die Schrauben fest.

Das Seil-Kit besteht aus:

2x Unterlagscheibe

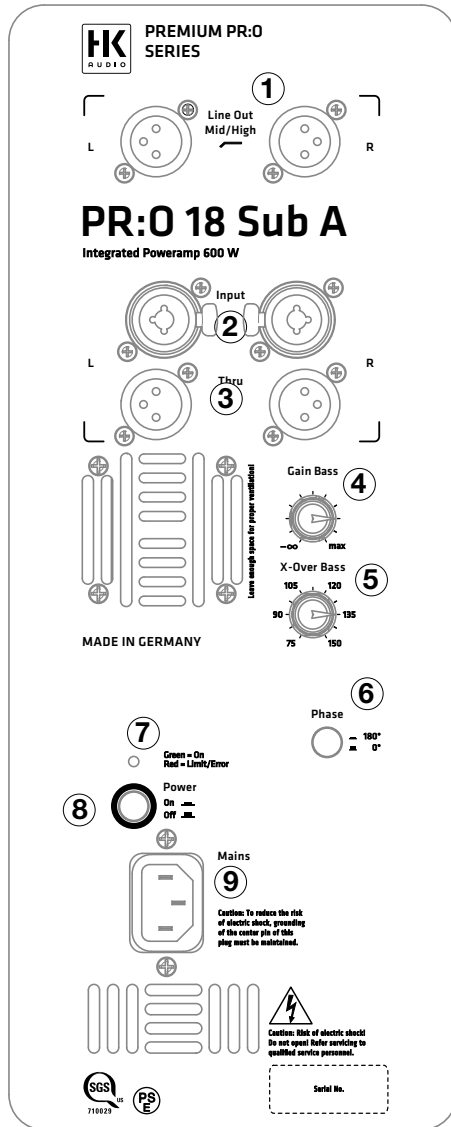
2x Linsensenkschraube 5x25 Innensechskant

1x Seil mit Montageplatten

Achtung: Das Curving-Seil dient ausschließlich zum Anwinkeln der Box und ist kein Flugpunkt!

2 PR:O 18 Sub A, PR:O 210 Sub A

2.1 Bedienelemente



1 Out L / Out R (Line Out Mid / High)

Zwei elektronisch symmetrierte XLR-Ausgänge für das Anschließen von PREMIUM PR:O Top-teilen (pin 1= Ground, 2= +, 3= -).

2 Input L / Input R

Zwei elektronisch symmetrierte, kombinierte XLR/Klinke-Eingangsbuchsen für das Mischpult-Signal (pin 1= Ground, 2= +, 3= -).

3 Through L / Through R

parallele Line-Ausgänge zur Weiterleitung des Line-Signals, z.B. an weitere PREMIUM PR:O Aktivboxen oder Monitore (pin 1= Ground, 2= +, 3= -).

4 Gain Bass

Mit diesem Regler wird der Eingangspegel angepasst (Mittelstellung = 0 dBV).

Im Betrieb mit aktiver PREMIUM PR:O Aktivbox ist die Mittelstellung der ideale Ausgangspunkt. Je nach Bedarf kann der Bassanteil durch Drehen des Reglers angehoben oder abgesenkt werden. In Verbindung mit angeschlossenen PREMIUM PR:O Top-teilen wird der Gainregler in der Mittelreasterung justiert. Von dort aus kann er je nach Beschallungssituation reduziert oder erhöht werden.

5 X-Over-Bass

Mit der aktiven Frequenzweiche kann die obere Eckfrequenz des Subwoofers von 75 Hz - 150 Hz variiert werden. Da sich die optimale Position je nach räumlicher Umgebung und Benutzung der Top-teile ändern kann, empfehlen wir an dieser Stelle keinen festgesetzten Wert.

Hinweis: Unterhalb von 100 Hz überträgt der Subwoofer hauptsächlich Signale von Bass, Bass-Drum und sehr tiefen Keyboardsounds. Das Ändern der Trennfrequenz des Subwoofers bewirkt im Bereich oberhalb 100 Hz auch die Verstärkung tiefer Frequenzen von Stimmen und anderer Klangerzeuger.

6 Phase

Mit dem Phasen-Schalter kann der Sub-Bass auf die Phasenlage der angeschlossenen Top-teile angepasst werden (0°-180°). Im Betrieb mit PREMIUM PR:O Top-teilen wird der Schalter beim PR:O 18 Sub A auf 0° eingestellt. Beim PR:O 210 Sub A muss die Phase um 180° gedreht werden, damit PREMIUM PR:O Top-teile und Subwoofer in Phase laufen.

Beim Betrieb mit anderen Lautsprechern ist unter Umständen ein Drehen um 180° erforderlich. Falls Sie sich nicht sicher sind, probieren Sie es einfach aus. Verändert sich der Bass-Sound und wirkt drucklos und undifferenziert, ist die Phase falsch eingestellt.

7 Limiter Status LED

Die zweifarbige LED zeigt den Status des Signals an (Grün = Signal, Rot = Limit). Signalspitzen bei hoher Lautstärke werden durch rotes Aufleuchten angezeigt.

Achtung! Hier handelt es sich nicht um eine Clip-LED. Es darf hin und wieder schon mal kurz rot leuchten, denn dies zeigt lediglich an, dass der Limiter in Vollbetrieb arbeitet. Überprüfen Sie den Eingangspegel der Signalquelle und reduzieren Sie den Lautstärkereglern (Gain) an Ihrer Box. Brennt die Status-LED dauerhaft rot und es liegt kein Audiosignal vor, liegt ein Fehler vor.

8 Power-Schalter

Der Ein/Aus-Schalter für die PREMIUM PR:O Aktivbox. In eingeschaltetem Zustand leuchtet die Signal-LED grün.

Hinweis: Der Power-Schalter ist zum Schutz gegen unabsichtliche Bedienung halb eingelassen. Ist die Box eingeschaltet sitzt der Schalter fast bündig mit der Anschlussplatte und wird dadurch vor unabsichtlichem Betätigen gut geschützt, lässt sich aber gut bedienen.

9 Mains Input

Verbinden Sie diese Anschlussbuchse mittels eines Kaltgerätestromkabels (im Lieferumfang enthalten) mit der Netzsteckdose.

Hinweis: Alle PREMIUM PR:O Aktivlautsprecher sind mit verriegelbaren V-Lock Netzeingangsbuchsen ausgestattet. In Kombination mit einem verriegelbaren Anschlusskabel (VOLEX oder baugleich, optional erhältlich) kann das Netzkabel arretiert werden und so gegen versehentliches Herausrutschen gesichert werden.

2.2 Anschlüsse und Verkabelung

Schließen Sie die von Ihrem Mischpult kommenden Signalkabel (Monitor Out, Line Out o.ä.) an die symmetrierte Input Buchse mit einem XLR-Mikrofonkabel an. Verbinden sie die anzuschließenden Aktiv-Top-teile über die XLR-Ausgänge des „X-Over-Out“. Zum Weiterschleifen des Fullrange-Signals auf andere Boxen nutzen Sie die beiden Through Buchsen. Die Belegung der XLR-Stecker muss dabei wie folgt sein: 1= Ground, 2= +, 3= -. Steht nur ein Eingangssignal zur Verfügung, verwenden Sie „input L“, um die volle Leistung zu erhalten, verbinden Sie „Through L“ mit „Input R“ mit einem XLR Kabel gleicher Belegung.

2.3 Inbetriebnahme

- Achten Sie darauf, dass die Aktivbox ausgeschaltet ist.

Achtung! Achten Sie darauf, dass die Spannungsangabe auf der Rückseite der PREMIUM PR:O Aktivbox der Netzspannung entspricht. Der Anschluss an eine falsche Netzspannung kann die elektronischen Elemente der PREMIUM PR:O Aktivbox zerstören.

- Drehen Sie die Gain-Regler auf Anschlag links.

Achten Sie darauf, dass alle übrigen angeschlossenen Komponenten (z.B.: Mischpult) schon vorher in Betrieb sind. Sowohl das angeschlossene Mischpult als auch alle mit ihm verbundenen Signalquellen wie Keyboards, Instrumentalverstärker, Effekte usw. sollten eingeschaltet sein. PREMIUM PR:O Aktivboxen sollten immer am „Line Out Mid/High“ angeschlossen und nach allen anderen Komponenten eingeschaltet werden. Beim Ausschalten bitte zuerst die Lautsprecher abdrehen (Gain nach Links drehen) und vor allen angeschlossenen Geräten ausschalten.

Nach dem Einschalten mit dem Power-Schalter läuft der Lüfter kurz an (Systemcheck) und geht nach ca. 5 Sekunden aus. Der Lüfter ist temperaturgesteuert und geht nur bei sehr hohen

Lautstärken in Betrieb und regelt sich temperaturabhängig.

- Die Power-LED leuchtet grün, wenn Spannung anliegt.

Drehen Sie den Gain Line In-Regler in die Mitte (= 0 dBV). Wenn Sie ein Mischpult zur Ansteuerung des PREMIUM PR:O Aktivboxen benutzen, ist diese Pegelstellung zu bevorzugen. Bei Bedarf können sie den Eingangspegel mit Hilfe des Gain-Reglers um 6 dB erhöhen. Die Limiter-LED (rot) sollte hierbei nicht permanent aufleuchten, um das bestmögliche Ergebnis zu erzielen

2.4 Einstellungen

Lautstärkeanpassung mit dem Gain-Regler

Passen Sie mit diesem Regler das Eingangssignal für Line-Signale an.

Falls Verzerrungen oder Übersteuerungen auftreten, überprüfen Sie die Signalquellen und reduzieren Sie nach Möglichkeit dort das Ausgangssignal. Lässt sich das zur PREMIUM PR:O Aktivbox führende Signal auf diese Weise nicht verändern, passen Sie es mit dem Gain-Regler an (Reduzieren des Eingangspegels).

3 Tipps und Tricks

1 Lassen Sie keine Feuchtigkeit an die Elektronik kommen! Achten Sie beim Einsatz im Freien darauf, dass Ihr System vor Regen geschützt aufgestellt wird. Softdrinks, Bier oder andere Flüssigkeiten dürfen nicht an die Elektronik gelangen, da dies zu Kurzschlüssen führen kann.

2 PREMIUM PR:O Aktivboxen sorgen für optimalen Sound - sorgen Sie für das optimale Eingangssignal! Brummen ist in den meisten Fällen das Resultat defekter Kabel, falscher Kabel oder unsymmetrischer Eingangssignale am Mischpult. Überprüfen Sie alle Signal- und Netzkabel.

3 Vermeiden Sie Verzerrungen! Verzerrungen sind nicht nur unangenehm für die Ohren der Zuhörer, sie sind auch gefährlich für Ihre Anlage. Achten Sie darauf, dass alle direkt und indirekt an PREMIUM PR:O Aktivboxen angeschlossenen Komponenten über genügend Leistung verfügen und niemals Verzerrungen produzieren, weil sie am maximalen Limit betrieben werden. Sorgen Sie für ein sauberes Audiosignal.

4 Vermeiden Sie Brummschleifen! Auch trotz symmetrischer Signalführung kann innerhalb eines Audio-Systems ein unangenehmer Brummtönen entstehen, beispielsweise dann, wenn das Mischpult über das Netzkabel geerdet und nicht auf dem gleichen Stromkreis wie der PREMIUM PR:O Aktivboxen hängt. Durch die dann doppelt bestehende Masse-Erdverbindung kann es zu einer sogenannten „Brummschleife“ kommen. Schließen Sie deshalb stets PREMIUM PR:O Aktivboxen und Mischpult an den gleichen Stromkreis (gleiche Phase!) an.

Achtung! Nie die Masse am Stecker abkleben – (Lebensgefahr!).

4 Fehlerbehebung

Der Netzschalter leuchtet beim Einschalten nicht auf.

- Überprüfen Sie, ob das Netzkabel am Mains-Input angeschlossen ist.
- Vergewissern Sie sich, dass das Netz Spannung führt.

Der Power-Schalter leuchtet rot auf (Flackern)

- Der Limiter arbeitet, reduzieren Sie gegebenenfalls den Eingangspegel.

Der Power-Schalter leuchtet dauerhaft rot auf, es kommt kein Ton aus der Box.

- Die Schutzschaltung der Box wurde aktiviert. Bitte kontaktieren Sie Ihren Fachhändler.

Die Musikwiedergabe scheint verzerrt zu sein.

- Überprüfen Sie die LED-Anzeigen an Ihrem Mischpult. Sie sollten sich nicht ständig im roten Bereich befinden. Nehmen Sie gegebenenfalls die Lautstärke am Mischpult zurück.
- Sind die LED-Anzeigen an Ihrem Mischpult im grünen Bereich, drehen Sie den Gain Line In-Regler am PREMIUM PR:O Aktivlautsprecher zurück.
- Beobachten Sie die LED der Limiter-Anzeige im Bedienfeld des PREMIUM PR:O Aktivlautsprechers. Diese sollten nur kurz rot aufleuchten. Keinesfalls sollten Sie ohne Unterbrechung rot aufleuchten. In diesem Fall drehen Sie die entsprechenden Gain-Regler zurück.

Consignes de sécurité importantes ! A lire avant de se connecter !

Ce produit a été construit conformément à la norme IEC 60065 par le fabricant et a quitté l'usine en bon état de marche. Pour garantir son intégrité et un fonctionnement sans risque, l'utilisateur se doit de suivre les conseils et les avertissements préconisés dans cette notice d'utilisation. En cas d'utilisation de ce produit dans un véhicule terrestre, un navire ou un avion, ou encore à une altitude supérieure à 2 000 mètres, il convient de prendre en considération les normes de sécurité suivantes, en plus de la norme IEC 60065.

ATTENTION : Afin d'éviter tout risque d'incendie et d'électrocution, n'exposez pas cet appareil à l'humidité ou à la pluie. N'ouvrez pas le boîtier ; les pièces se trouvant à l'intérieur ne nécessitent pas d'entretien de la part des utilisateurs. Adressez-vous à un spécialiste qualifié pour procéder à l'entretien de l'appareil.



Ce symbole, quel que soit l'endroit où il apparaît, vous signale des pièces sous tension non isolées dans le boîtier. Une tension suffisante pour présenter un risque d'électrocution.



Ce symbole, quel que soit l'endroit où il apparaît, vous signale des pièces sous tension accessibles depuis l'extérieur du boîtier. Tous les câbles extérieurs raccordés à un composant marqué de ce symbole doivent être de type préfabriqués et conformes aux spécifications du fabricant ou doivent avoir été installés par des spécialistes qualifiés.



Ce symbole, quel que soit l'endroit où il apparaît, vous signale des instructions importantes relatives à l'utilisation ou l'entretien de l'appareil à lire dans les documents l'accompagnant. Lisez la notice d'utilisation.



Ce symbole, quel que soit l'endroit où il apparaît, vous signale un risque de brûlure dû à une surface chaude. Ne touchez pas cette surface afin d'éviter de vous brûler.



Tous les appareils électriques et électroniques y compris les piles doivent être éliminés séparément des déchets ménagers auprès des points de collecte officiels prévus à cet effet.



Lisez ces instructions. Conservez ces instructions. Prenez en compte tous les avertissements et toutes les instructions mentionnés sur le produit ou dans cette notice d'utilisation.

- N'utilisez pas ce produit à proximité de l'eau. Ne le placez pas près de l'eau, d'une baignoire, d'un bassin, d'un évier, d'une surface humide, d'une piscine ou d'une pièce humide.
- Ne mettez pas d'objet contenant du liquide sur l'appareil, par exemple, un vase, un verre ou une bouteille, etc.
- Nettoyez-le exclusivement avec un chiffon sec.
- N'enlevez pas le boîtier, ne serait-ce que partiellement.
- La tension de fonctionnement de l'appareil doit être réglée de manière à correspondre à la tension d'alimentation de l'endroit où vous vous trouvez. Si vous n'êtes pas sûr de connaître la tension d'alimentation, demandez à votre revendeur ou à la compagnie d'électricité locale.
- Avant de brancher l'appareil, assurez-vous systématiquement que l'installation électrique (alimentation) dispose de systèmes de protection suffisants contre les courts-circuits et les erreurs de mise à la terre des appareils raccordés.
- Afin de réduire le risque d'électrocution, vous ne devez jamais supprimer la mise à la terre de l'appareil. Utilisez uniquement le câble d'alimentation fourni avec le produit et maintenez la broche centrale de la prise (mise à la terre) en état de fonctionnement. Ne négligez pas la sécurité offerte par les prises polarisées ou avec mise à la terre. Assurez-vous que l'appareil est bien raccordé à une prise disposant d'une terre de protection et que celle-ci est en ordre de marche.
- Protégez le câble d'alimentation afin d'éviter que quelqu'un marche dessus ou qu'il soit pincé, notamment près de la prise, de la prise murale ou à la sortie de l'appareil même ! Les câbles d'alimentation doivent être tout le temps maniés avec précaution. Vérifiez régulièrement que le câble n'est pas fendu ou qu'il ne présente pas de signe d'usure, en particulier près de la prise et à la sortie de l'appareil.
- N'utilisez jamais de câble d'alimentation usé.
- Débranchez l'appareil en cas d'orage ou si vous ne l'utilisez pas pendant une longue période.
- Débranchez l'appareil uniquement en le tenant par la prise au niveau de la prise murale ou de la rallonge. L'appareil doit être placé de telle manière à ce qu'il puisse être débranché facilement à tout moment.
- Fusibles : si nécessaire, remplacez-les uniquement par des fusibles de type IEC127 (5x20 mm) afin de garantir une meilleure performance. Il est interdit d'utiliser des fusibles bricolés ou de raccourcir le porte-

fusible. Seul un personnel qualifié est habilité à remplacer les fusibles.

- Confiez tous les travaux d'entretien à des spécialistes qualifiés. Il est nécessaire d'effectuer de tels travaux lorsque l'unité a été endommagée, comme par exemple dans les cas suivants :
 - Lorsque le câble d'alimentation est endommagé ou effiloché.
 - Si du liquide a pénétré ou un objet est tombé dans le boîtier.
 - Si l'appareil a été exposé à la pluie ou à l'humidité.
 - Si l'appareil ne fonctionne pas correctement alors que vous avez suivi toutes les instructions à la lettre.
 - Si l'appareil est tombé ou que le boîtier est endommagé.
- En cas de raccordement de haut-parleurs à cet appareil, il faut veiller à ne pas descendre sous l'impédance minimale indiquée sur ledit appareil ou dans la présente notice. Les câbles employés doivent présenter une section suffisante, qui soit conforme aux réglementations locales en vigueur.
- Ne l'exposez pas directement aux rayons du soleil.
- Ne l'installez pas à proximité d'une source de chaleur, telle qu'un radiateur, une grille de chauffage, un four ou tout autre appareil susceptible de produire de la chaleur.
- Cet appareil est conçu pour une utilisation dans des zones climatiques modérées. Il n'est pas adapté pour une utilisation dans des pays à climat tropical.
- Ne masquez pas les bouches d'aération. Installez l'appareil conformément aux instructions du fabricant. Il ne doit pas être placé dans un emplacement confiné, comme un rack ou une console, sauf si une ventilation suffisante est garantie.
- Si vous déplacez l'appareil, attendez qu'il soit à température ambiante avant de le démarrer, sinon de la condensation peut se former à l'intérieur et endommager l'appareil.
- Ne posez pas de feu à flamme ouverte sur l'appareil, comme par exemple une bougie allumée.
- L'appareil doit être placé à au moins 20 cm/8" pouces du premier mur.
- Utilisez l'appareil uniquement avec un chariot, un support, un trépied, des fixations ou une table recommandés par le fabricant ou vendus avec le produit. Si vous utilisez un chariot, maniez-le avec précaution afin d'éviter tout risque de blessure s'il se renverse.
- Utilisez uniquement les accessoires recommandés par le fabricant. Cette consigne concerne toute sorte d'accessoires, qu'il s'agisse de couvercles de protection, de sacs de transport, de supports ou de dispositifs de fixation au mur ou au plafond. Si vous fixez un accessoire à l'appareil, suivez toujours les instructions d'utilisation du fabricant. N'utilisez pas d'autres points de fixation que ceux préconisés par le fabricant.
- Cet appareil NE convient PAS aux personnes dont les capacités motrices, sensorielles ou mentales sont déficientes (y compris les enfants) ou aux personnes ne disposant pas de l'expérience ou des connaissances nécessaires pour faire fonctionner le présent appareil. Cet appareil doit dans tous les cas et être tenu constamment hors de portée des enfants de moins de quatre ans.
- N'insérez jamais d'objets à travers les grilles du boîtier, car ils pourraient toucher des pièces sous tension dangereuses ou provoquer un court-circuit pouvant causer un risque d'incendie ou d'électrocution.
- Cet appareil est capable de délivrer un niveau de pression acoustique de 90 dB, pouvant ainsi causer des troubles irréversibles de l'audition ! L'exposition continue à une nuisance sonore peut provoquer une perte d'audition permanente. Portez des protections auditives adéquates si vous vous exposez de manière continue à un tel niveau de pression acoustique.
- Le fabricant garantit la sécurité, la fiabilité et l'efficacité de l'assemblage, l'extension, le réajustement, la modification ou la réparation de l'appareil ont été effectués par le fabricant ou par des personnes agréées pour ce genre de travaux.
- l'installation électrique concernée est conforme aux normes IEC (ANSI).
- l'unité est utilisée conformément aux instructions d'utilisation.
- Ce produit a été optimisé pour une utilisation avec des signaux musicaux ou voix. Une utilisation avec des signaux sinusoïdaux, rectangulaires ou autres signaux de mesure risque de l'endommager gravement.

Consignes de sécurité générales pour systèmes de haut-parleurs



Les systèmes de fixation doivent exclusivement être employés pour les systèmes de haut-parleurs fournis par le fabricant et avec les accessoires de montage tels qu'évoqués dans la notice de montage. Dans ce cadre, il convient de respecter scrupuleusement les indications de montage du fabricant. En cas d'utilisation non conforme d'accessoires ou d'installation d'accessoires de montage non d'origine, le dommage en résultant éventuellement ne sera pas couvert par la garantie et la responsabilité du fabricant ne pourra en aucun cas être engagée. Si des modifications sont apportées aux haut-parleurs, aux accessoires de montage, aux raccords et fixations ainsi qu'au matériel d'élingage, la portabilité du système ne pourra plus être garantie et la responsabilité du fabricant ne pourra en aucun cas être engagée.

Toute réparation d'éléments de sécurité ne peut être effectuée que par le fabricant ou son représentant agréé, faute de quoi le permis d'exploitation s'éteint.



L'installation sera exclusivement réalisée par un spécialiste, et ce, uniquement dans des zones de montage présentant une capacité de charge suffisante, un point à vérifier notamment par la prise en compte des normes de construction appliquées. Le matériel de fixation prescrit par le constructeur dans la notice de montage (vis, chevilles, etc.) doit impérativement être employé. Les raccords boulonnés doivent être assurés contre tout desserrement au moyen de mesures appropriées.



Les installations fixes ou mobiles (ici les haut-parleurs, accessoires de montage compris) doivent être assurés contre la chute par deux dispositifs indépendants l'un de l'autre. Les éléments supplémentaires lâches ou les pièces se desserrant doivent pouvoir être retenus par des dispositifs adaptés. En cas d'utilisation de raccords, d'éléments de fixation et de matériel d'élingage, il convient de respecter les dispositions nationales en la matière. Le calcul du dimensionnement des dispositifs de sécurité requiert la prise en compte des charges dynamiques possibles (forces de recul).



En cas d'utilisation de trépieds, il faut surtout prendre en considération la charge maximale supportée. En outre, de par leur conception, la plupart des trépieds permettent uniquement de supporter des charges parfaitement centrées. Les trépieds doivent dès lors être disposés de façon stable. Il est nécessaire d'assurer les trépieds par des mesures supplémentaires dans les cas suivants (liste non exhaustive) :

- lorsque leur surface de pose n'offre pas une stabilité suffisante ;
- lorsque leur hauteur limite leur stabilité ;
- lorsque la force du vent risque d'être élevée ;
- lorsqu'ils risquent d'être heurtés par des personnes.

Des mesures particulières peuvent également s'avérer nécessaires, à titre préventif, pour se prémunir contre des comportements dangereux de la part de spectateurs. Les trépieds ne doivent donc pas être disposés dans des voies d'évacuation ou des passages réservés aux secours. En cas d'installation sur des voies de circulation, veiller à respecter la largeur de circulation requise, à verrouiller le secteur de façon adaptée et à mettre en place la signalisation idoine. Le montage et le démontage sont des phases qui présentent des risques particuliers. Il faut dès lors employer des moyens auxiliaires appropriés. Veiller également, lors de ces opérations, à respecter la législation nationale en la matière.



Lors du montage, il est indispensable de porter des équipements de sécurité adaptés (en particulier un casque, des gants et des chaussures de sécurité) et d'utiliser uniquement des dispositifs d'aide à l'ascension adaptés (échelles, échafaudages, etc.). La responsabilité dans ce domaine incombe uniquement à la société de montage exécutante.



ATTENTION ! À l'issue du montage, il y a lieu de contre-vérifier la fixation ou la suspension du système (haut-parleurs et supports). L'exploitant des systèmes de haut-parleurs (fixes ou mobiles) est tenu de vérifier, ou de faire vérifier, tous les composants du système en fonction des réglementations en vigueur dans le pays concerné, et de faire éliminer sans délai les éventuels défauts constatés.

En outre, nous recommandons fortement de constituer une documentation détaillée sur toutes les mesures d'inspection dans les registres de contrôle ou similaires. En cas d'utilisation prolongée ou permanente de haut-parleurs en plein air, tenir compte, pour la stabilité et la capacité portante des structures et surfaces, de l'influence de paramètres tels le vent, la neige, la glace et autres facteurs thermiques. Dans ce cas, il convient en particulier de dimensionner avec des réserves de sécurité suffisantes les points de support de charge de systèmes suspendus. Veiller également, lors de ces opérations, à respecter la législation nationale en la matière.

• Adressez-vous au fabricant pour savoir si votre produit convient à un usage en extérieur.



Les systèmes de haut-parleurs professionnels sont capables de produire des niveaux sonores dangereux pour la santé. Même des niveaux sonores a priori inoffensifs peuvent, en cas d'exposition prolongée, provoquer des pertes auditives irréversibles (à partir de 95 dB(A) SPL environ) ! C'est pourquoi nous conseillons à toutes les personnes soumises à des niveaux sonores élevés en raison de l'exploitation de systèmes de haut-parleurs, de porter des protections auditives professionnelles (bouchons d'oreilles ou casques antibruit).

Fabricant : Stamer Musikanlagen GmbH, Magdeburger Str. 8, 66606 St. Wendel, Allemagne

PREMIUM PR:O SERIES

Self-powered cabinets

Bienvenue dans la famille HK Audio !

Nous vous remercions d'avoir opté pour un produit de notre marque, produit que nous avons développé et fabriqué pour vous, avec le plus grand soin.



Même si vous avez déjà une longue expérience des installations de sonorisation, vous constaterez que ce produit affiche certaines caractéristiques qui seront nouvelles pour vous. C'est pourquoi nous vous conseillons de lire la présente notice et de la conserver ensuite pour consultation ultérieure.

Nous vous souhaitons le meilleur des sons !

L'équipe HK Audio

Garantie

Vous pouvez utiliser notre service d'enregistrement en ligne convivial sur notre site www.hkaudio.com.



<http://warranty.hkaudio.com>

L'enregistrement est uniquement valable lorsqu'il est effectué dans les 30 jours qui suivent la date d'achat.

HK AUDIO

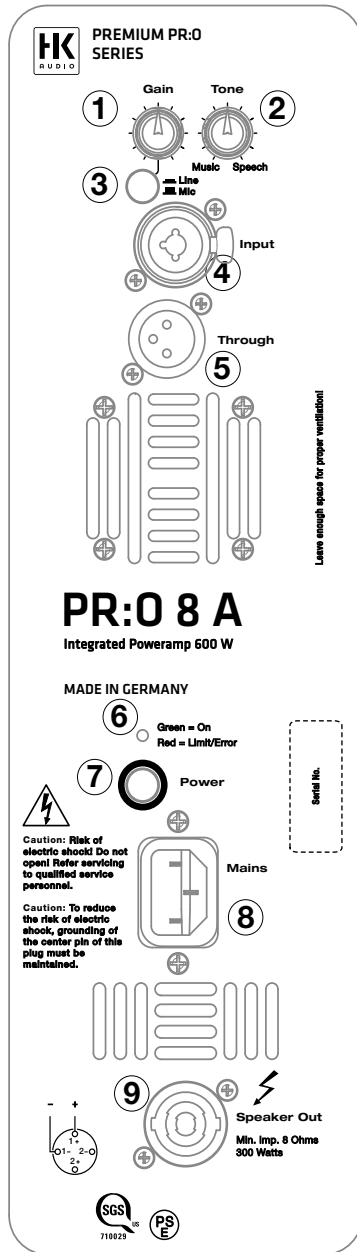
Service technique
Postfach 1509
66595 St. Wendel, Allemagne
Fax: +49 6851 905 100

Sommaire

1	PR:O 8 A, PR:O 10 XA, PR:O 12 A, PR:O 12 MA, PR:O 15 A, PR:O 15 XA	16
1.1	Commandes sur modèles	16
1.2	Branchements et câblage	16
1.3	Mise en service	16
1.4	Réglages	17
1.5	Orientation	17
2	PR:O 18 Sub A, PR:O 210 Sub A	18
2.1	Commandes	18
2.2	Branchements et câblage	18
2.3	Mise en service	18
2.4	Réglages	19
3	Trucs et astuces	19
4	Dépistage des pannes	19

1 PR:O 8 A, PR:O 10 XA, PR:O 12 A, PR:O 12MA, PR:O 15 A, PR:O 15 XA

1.1 Commandes



1 Gain

Ce potentiomètre permet d'adapter le niveau d'entrée.

2 Tone (non disponible sur PR:O 12 MA)

Le potentiomètre Tone permet d'optimiser votre haut-parleur actif en fonction de l'application (musique ou voix). On emploie ici un filtrage spécial, qui adapte la réponse en fréquences aux exigences spécifiques. En fonction de l'acoustique de la salle et de sa configuration,

nous vous recommandons de chercher la position optimale avec le micro et un signal musical complet, en tournant ce potentiomètre. La plage „Speech“ met les voix en avant, tandis que la plage „Music“ permet une expression plus ronde et plus pleine de l'image sonore (plus de basses, moins de médiums).

Le potentiomètre Tone permet d'optimiser les haut-parleurs en fonction de la source : musique ou sonorisation de voix. Un filtrage spécial est ici mis en œuvre, qui adapte la réponse en fréquence aux exigences du moment. Le fait de remonter ou d'abaisser un filtre passe-bande à fréquence centrale de 1500 Hz (2500 Hz- PR:O 10 XA, 2600 Hz - PR:O 8 A) permet d'optimiser la totalité de l'image sonore vers la voix ou la musique, en agissant sur le potentiomètre Tone (augmentation maxi : 2 db ; réduction maxi: 2 dB). Simultanément se produit une augmentation ou une diminution correspondante des basses de 2 dB au maximum. Un circuit de correction spécial veille à ce que le volume global (sensibilité à l'écoute) soit corrigé de façon adéquate. En position centrale, le filtre est neutralisé.

3 Interrupteur Mic/Line (non disponible sur PR:O 12 MA)

Lorsque vous raccordez un signal micro, réglez la sensibilité sur MIC à l'aide de l'interrupteur Line/ Mic. La sensibilité en entrée est ainsi augmentée de 30 dB et l'entrée pour signaux micro est optimisée

4 Input

Douille d'entrée combinée XLR / 1/4" symétrisée électroniquement pour le signal de mixage (1 = terre ; 2 = + ; 3 = -).

5 Through

Sortie parallèle pour transmission du signal Line, par exemple à d'autres enceintes actives PREMIUM PR:O ou à des moniteurs.

6 Limiter Status LED (DEL d'état du limiteur)

La DEL bicolore indique l'état du signal (vert = signal, rouge = limite). Lorsque des crêtes de signal sont atteintes en cas de volume élevé, la DEL s'allume en rouge.

Attention ! Il ne s'agit pas ici d'une Clip-LED. Elle ne devra s'allumer en rouge que sur de brèves périodes, car elle montre uniquement que le limiteur RMS travaille. Si la DEL de signal reste toujours rouge en cas de crête de signal, vérifiez le niveau d'entrée des sources de signal, puis réduisez le volume au potentiomètre correspondant (Gain) sur votre enceinte. Si la DEL d'état reste allumée en rouge de façon durable, c'est qu'il y a dysfonctionnement.

7 Power (Interrupteur principal)

Interrupteur marche/arrêt du système d'enceinte active PREMIUM PR:O. Lorsque le système est activé, la DEL d'état s'allume en vert.

Remarque : L'interrupteur Power est de type semi-encasté, afin d'éviter toute manipulation accidentelle. En mode Power On, l'interrupteur est pratiquement affleurant avec la plaquette de fixation, si bien qu'il est protégé efficacement contre les manipulations indésirables tout en permettant une utilisation pratique.

8 Mains Input

Sur cette entrée secteur, branchez la fiche correspondante du cordon secteur avec prise de terre (fourni avec l'appareil).

Remarque : Tous les haut-parleurs actifs PREMIUM PR:O sont équipés de prises d'entrée secteur verrouillables de type V-Lock. Le raccordement verrouillable (VOLEX ou de conception similaire, disponible en option) permet d'éviter tout débranchement accidentel.

9 Parallel Speaker Out

Cette sortie Speakon NL4 permet de raccorder une enceinte passive PREMIUM PR:O supplémentaire, voire des haut-parleurs passifs d'autres fabricants. Veillez à ce que les caractéristiques d'impédance soient respectées (1 enceinte avec une impédance minimale de 8 ohms). L'étage de puissance confère à cette connexion une puissance maxi de 300 watts.

1.2 Branchements et câblage

À l'aide d'un câble pour micro XLR, raccordez les câbles de signaux (Monitor Out, Line Out ou autres) de votre table de mixage à la prise Input symétrisée. Les broches des prises XLR doivent être affectées comme suit : 1 = terre ; 2 = + ; 3 = -. Si vous souhaitez brancher un micro directement sur l'enceinte active PREMIUM PR:O, sans passer par une table de mixage, vous utiliserez la douille Input symétrisée et placerez la sensibilité en entrée en position Mic. Utilisez dans ce cas un câble micro XLR. Les broches des prises XLR doivent être affectées comme suit : 1 = terre ; 2 = + ; 3 = -.

1.3 Mise en service

- Assurez-vous que l'enceinte active est coupée. Attention ! Veillez à ce que la tension indiquée sur l'enceinte active PREMIUM PR:O corresponde à la tension secteur disponible. En effet, le raccordement à une tension incorrecte peut entraîner la destruction des composants électroniques de l'enceinte active PREMIUM PR:O.
- Tournez le potentiomètre Gain (Gain Line/ Mic fermé (butée de gauche) en cas de raccordement d'un signal Line.
- Veillez à ce que tous les autres composants raccordés soient préalablement sous tension.

Concrètement, la table de mixage raccordée ainsi que toutes les autres sources de signal (claviers, amplis d'instruments, effets, etc.) doivent avoir été activés. Veillez à ce que l'interrupteur Mic/Line de l'enceinte active PREMIUM PR:O soit correctement positionné (standard = Line).

Le système actif PREMIUM PR:O doit toujours être mis sous tension en dernier, c'est-à-dire après tous les autres composants. De même, c'est lui qui sera coupé en premier, avant tous les appareils raccordés.

- Après mise sous tension via l'interrupteur Power, le ventilateur tourne brièvement (autocontrôle du système), puis se coupe après 5 secondes environ. Le ventilateur est à déclenchement thermostatique. En d'autres termes, il tourne uniquement en cas de volumes très élevés et se règle ensuite en fonction de la température.
- Après la mise en marche via l'interrupteur Power, la diode (DEL) Power s'allume en vert dès que la tension est présente.
- Amenez le potentiomètre Gain Line en position centrale (= 0 dBV). Si vous utilisez une table de mixage pour commander le système actif PREMIUM PR:O, conservez en priorité cette position. Si vous raccordez directement un lecteur de CD ou, par exemple, un clavier, vous pouvez, selon la force du signal, tourner le potentiomètre entièrement vers la droite, afin d'obtenir le volume maximal. Si, malgré cela, le signal d'entrée demeure insuffisant, augmentez le niveau de la source de signal (par exemple au potentiomètre sur le lecteur MP3).

Le cas échéant, ramenez le potentiomètre Gain de l'enceinte active PREMIUM PR:O entièrement à gauche, puis appuyez sur l'interrupteur Mic/Line. Vous augmenterez ainsi le niveau d'entrée de 30 dB. Adaptez ensuite la sensibilité en entrée en tournant le potentiomètre lentement vers la droite, jusqu'à obtention du volume recherché. La DEL (rouge) du limiteur ne doit pas rester allumée en permanence pour obtenir le meilleur résultat possible.

1.4 Réglages

Adaptation du volume via le potentiomètre Gain

Vous agirez sur ce potentiomètre et appuyez sur l'interrupteur Mic/Line pour adapter le signal d'entrée aux signaux Line et micro.

En cas d'apparition de distorsions ou de surcharges, vérifiez les sources de signal et réduisez si possible le signal de sortie correspondant. Si vous ne parvenez pas pour autant à modifier signal envoyé à l'enceinte active PREMIUM PR:O, adaptez-le via le potentiomètre Gain Line In, au niveau des étages de puissance.

Tone (non disponible sur PR:O 12 MA)

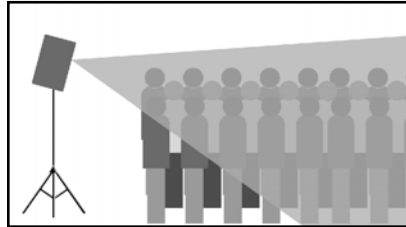
Au départ de la position centrale, vous pouvez modifier l'image sonore en tournant de potentiomètre vers la gauche ou vers la

droite. En position „Music“, les médiums sont quelque peu réduits, tandis que les basses sont amplifiées (signal CD ou Live). En position „Speech“, l'intelligibilité de la parole se voit encore augmentée. Le volume global est automatiquement corrigé dans chaque position.

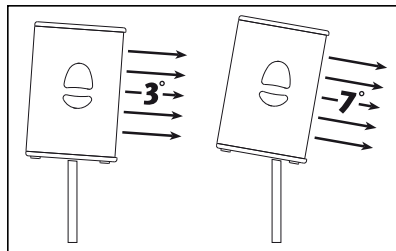
1.5 Orientation

HK Audio DuoTilt™

(non disponible sur PR:O 12 MA.; le PR:O 8 intègre un MonoTilt™ présentant un angle d'inclinaison de 3°.)

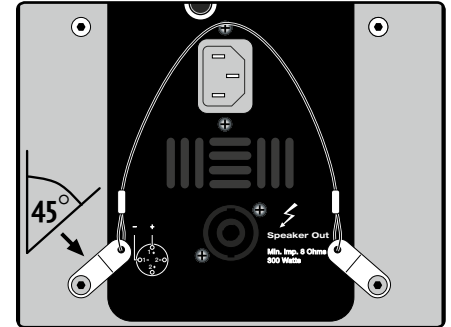


Grâce au système HK Audio DuoTilt™ 3/7, l'enceinte active PREMIUM PR:O peut être disposée horizontalement. On peut ainsi réduire, voire éviter les réflexions perturbatrices au plafond. Avec l'ouverture avant dans le HK Audio DuoTilt™, l'angle d'inclinaison atteint 3° et avec l'ouverture arrière, 7°. Si l'enceinte active PREMIUM PR:O est posée sur un pied complètement déployé ou une entretoise, il faut recourir à l'angle à 7°. Ce réglage convient particulièrement bien lorsque le nombre d'auditeurs est restreint et que ceux-ci se tiennent à proximité immédiate des enceintes. Si leur nombre est plus important et qu'ils sont plus éloignés des haut-parleurs, l'angle de 3° du système HK Audio DuoTilt™ conviendra mieux.



Câble d'orientation (uniquement pour PR:O 8 A)

L'orientation verticale du PR:O 8 A (par ex. lors de l'installation fixe ou du montage sur une traverse) s'effectue au moyen d'un câble qui peut être intégré aisément au module électronique à l'aide des vis de fixation inférieures.



Montage :

Le câble d'orientation vient se fixer sur la face arrière du PR:O 8 A. Il permet une orientation aisée du PR:O 8 A en montage suspendu.

- Extrayez les deux vis inférieures de la plaque de fixation.
- Amenez les disques de support au niveau des deux orifices.
- Prenez à présent les deux plaques fixées sur le câble d'orientation et vissez-les sur l'enceinte selon un angle de 45° (voir schéma).

Remarque : Les plaques doivent être orientées selon un angle de 45°, faute de quoi la sécurité de fonctionnement n'est pas garantie !

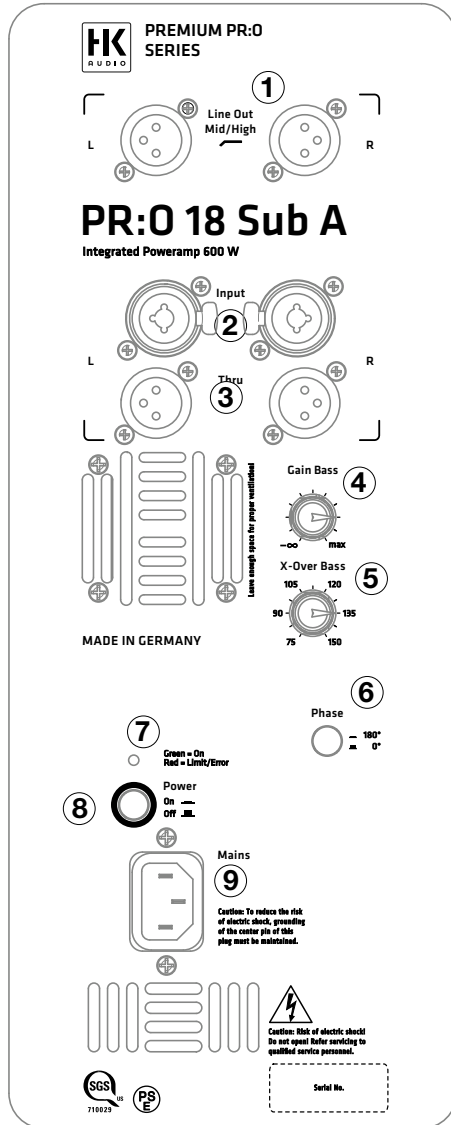
- Bloquez les vis.

Le kit de câble se compose de :
2 disques de support
2 vis noyées à têtes bombées 5x25
1 câble avec plaque de montage

Attention : Le câble d'orientation sert exclusivement à orienter l'enceinte et ne constitue pas un point de suspension du système!

2 PR:O 18 Sub A, PR:O 210 Sub A

2.1 Commandes



1 Out L / Out R (Line Out Mid / High)

Deux douilles XLR symétrisées électroniquement, pour le branchement de satellites PREMIUM PR:O (broche 1 = terre ; 2 = + ; 3 = -).

2 Input L / Input R

Deux douilles d'entrée combinée XLR / 1/4" symétrisées électroniquement pour le signal de table de mixage. (1 = terre ; 2 = + ; 3 = -).

3 Through L / Through R

Deux sorties Line parallèles pour transmission du signal Line, par exemple à d'autres enceintes actives PREMIUM PR:O ou moniteurs (broche 1 = terre ; 2 = + ; 3 = -).

4 Gain Bass

Ce potentiomètre permet d'adapter le niveau d'entrée (position médiane = 0 dBV).

En cas de -fonctionnement avec une enceinte active PREMIUM PR:O, la position médiane constitue le point de départ idéal. Selon les besoins, ce potentiomètre permet également d'augmenter ou de réduire la part de basses. En association avec des satellites PREMIUM PR:O, le potentiomètre Gain est réglé sur le cran central. De là, il peut être tourné vers la réduction ou l'augmentation, en fonction de la situation de sonorisation donnée.

5 X-Over-Bass

Grâce au diviseur de fréquence, la fréquence de coupure du subwoofer peut varier de 75 à 150 Hz. Étant donné que la position optimale peut changer en fonction de l'environnement de la salle et de l'utilisation des satellites, nous ne recommandons pas de valeur fixe à ce stade.

Remarque : Au-delà de 110 Hz, davantage d'éléments de signal issus par exemple de voix graves et d'autres sources sonores sont transmis par les basses. En-dessous de 110 Hz sont essentiellement transmis des signaux provenant de la basse, des éléments graves de la batterie et de claviers très graves.

6 Phase

L'interrupteur de phases permet d'adapter les ultrabasses sur la position de phase des satellites raccordés (0° - 180°). En cas de fonctionnement avec des satellites PREMIUM PR:O, l'interrupteur du PR:O 18 Sub A est réglé sur 0°. Avec le PR:O 210 Sub A, la phase doit être modifiée de 180° afin que le subwoofer et les satellites PREMIUM PR:O soient en phase. En cas de fonctionnement avec d'autres haut-parleurs, une rotation de 180° s'avère nécessaire dans certaines circonstances. Si vous n'êtes pas sûr, procédez simplement à des essais. Si le son de basse change et agit sans pression et de façon non différenciée, c'est que la phase est mal réglée.

7 Limiter Status LED (DEL d'état du limiteur)

La DEL bicolore indique l'état du signal (vert = signal, rouge = limite). Lorsque des crêtes de signal sont atteintes en cas de volume élevé, la DEL s'allume en rouge.

Attention ! Il ne s'agit pas ici d'une Clip-LED. Elle ne devra s'allumer en rouge que sur de brèves périodes, car elle montre uniquement que le limiteur travaille à plein. Vérifiez le niveau d'entrée de la source de signal, puis réduisez au niveau du potentiomètre de volume (Gain) sur votre enceinte. Si la DEL d'état reste allumée en rouge de façon durable, c'est qu'il y a dysfonctionnement.

8 Interrupteur principal (Power)

Interrupteur marche/arrêt du système d'enceinte active PREMIUM PR:O Lorsque le système est activé, la DEL d'état s'allume en vert.

Remarque : L'interrupteur Power est de type semi-encasté, afin d'éviter toute manipulation accidentelle. En mode POWER ON, l'interrupteur est pratiquement affleurant avec la plaquette de fixation, si bien qu'il est protégé efficacement contre les manipulations indésirables tout en permettant une utilisation pratique.

9 Mains Input

Sur cette entrée secteur, branchez la fiche correspondante du cordon secteur avec prise de terre (fourni avec l'appareil).

Remarque : Tous les haut-parleurs actifs PREMIUM PR:O sont équipés de prises d'entrée secteur verrouillables de type V-Lock. Le raccordement verrouillable (VOLEX ou de conception similaire, disponible en option) permet d'éviter tout débranchement accidentel.

2.2 Branchements et câblage

Raccordez les câbles de signaux (Monitor Out, Line Out et autres) de votre table de mixage à la prise Input symétrisée, à l'aide d'un câble pour micro XLR. Raccordez les satellites actifs à brancher via les sorties XLR du « X-Over-Out ». Pour continuer la boucle du signal pleine gamme sur d'autres enceintes, utilisez les deux douilles Through. Les broches de la prise XLR doivent être affectées comme suit : 1 = terre ; 2 = + ; 3 = -.

2.3 Mise en service

- Assurez-vous que l'enceinte active est coupée. Attention ! Assurez-vous que l'indication de tension figurant au dos de l'enceinte active PREMIUM PR:O correspond à la tension secteur disponible. En effet, le raccordement à une tension incorrecte peut entraîner la destruction des composants électroniques de l'enceinte active PREMIUM PR:O.

- Fermez le potentiomètre Gain (butée de gauche).

Veillez à ce que tous les autres composants raccordés (par exemple, table de mixage) soient préalablement sous tension. Concrètement, la table de mixage raccordée ainsi que toutes les autres sources de signal (claviers, amplis d'instruments, effets, etc.) doivent avoir été activés. Les enceintes actives PREMIUM PR:O devraient toujours être raccordées au Xover Input et être mises sous tension après tous les autres composants. Lors du débranchement, désactiver d'abord les haut-parleurs (tourner le potentiomètre Gain vers la gauche), puis tous les autres appareils raccordés.

Après mise sous tension via l'interrupteur Power, le ventilateur tourne brièvement (autocontrôle du système), puis se coupe après 5 secondes environ. Le ventilateur est à déclenchement thermostatique. En d'autres termes, il tourne uniquement en cas de volumes très élevés et se régule ensuite en fonction de la température.

- La diode (DEL) Power s'allume en vert dès que la tension est présente.

Amenez le potentiomètre Gain Line en position centrale (= 0 dBV). Si vous utilisez une table de mixage pour commander votre système actif PREMIUM PR:O, conservez en priorité cette position. Au besoin, vous pouvez augmenter le niveau d'entrée de 6 dB à l'aide du potentiomètre Gain. La DEL (rouge) du limiteur ne doit pas rester allumée en permanence pour obtenir le meilleur résultat possible.

2.4 Réglages

Adaptation du volume avec le potentiomètre Gain

Adaptez le signal d'entrée pour les signaux Line et micro à l'aide de ce potentiomètre.

En cas d'apparition de distorsions ou de surcharges, vérifiez les sources de signal et réduisez si possible le signal de sortie correspondant. Si vous ne parvenez pas pour autant à modifier le signal envoyé au système actif PREMIUM PR:O, adaptez-le au moyen du potentiomètre Gain (réduction du niveau d'entrée).

3 Trucs et astuces

- 1 Protégez les circuits électroniques contre l'humidité ! En cas d'utilisation en extérieur, veillez à ce que votre système soit correctement protégé contre les intempéries. Ne jamais renverser de sodas, bière ou autres liquides sur les circuits électroniques, faute de quoi des courts-circuits pourraient se produire.
- 2 Les enceintes actives PREMIUM PR:O vous garantissent un son optimal – veillez donc dès lors à ce que le signal d'entrée soit lui aussi optimal ! Un ronflement est dans la plupart des cas dû à des câbles défectueux, des câbles non appropriés ou des signaux d'entrée asymétriques sur la table de mixage. Vérifiez donc tous les câbles de signal et autres cordons secteur.
- 3 Évitez les distorsions ! En effet, les distorsions ne sont pas seulement désagréables à l'oreille pour les auditeurs, mais elles sont aussi dangereuses pour votre installation. Veillez donc à ce que tous les composants raccordés directement et indirectement aux enceintes actives PREMIUM PR:O disposent d'une puissance suffisante et ne produisent jamais de distorsions parce qu'ils sont exploités à leur limite maximale. Veillez à ce que le signal audio soit « propre ».
- 4 Évitez les boucles de masse ! En dépit d'un acheminement du signal symétrique, un bourdonnement désagréable peut survenir dans un système audio, par exemple si la table de mixage est reliée à la terre via le cordon secteur et ne dépend pas du même circuit électrique que les enceintes actives PREMIUM PR:O. De fait, la double connexion masse-terre qui en découle peut conduire à la génération d'une « boucle de masse ». C'est pourquoi vous devez toujours raccorder les enceintes actives PREMIUM PR:O et la table de mixage sur le même circuit (même phase !).

Attention ! Ne supprimez jamais la terre de la fiche secteur - danger de mort !

4 Dépistage des pannes

L'interrupteur général ne s'allume pas lors de la mise sous tension.

- Assurez-vous que le cordon secteur est correctement raccordé à la prise d'entrée Mains.
- Assurez-vous que la prise secteur est bien sous tension.

L'interrupteur Power s'allume rouge (scintillement).

- Le limiteur travaille, réduisez le cas échéant le niveau d'entrée.

L'interrupteur Power s'allume en rouge de façon prolongée. Aucun son ne sort de l'enceinte.

- Le circuit de protection de l'enceinte a été activé. Veuillez contacter votre revendeur.

La restitution musicale semble être saturée.

- Vérifiez les DEL de contrôle sur votre table de mixage. Elles ne doivent pas être en permanence dans la zone rouge. Au besoin, réduisez le volume au niveau de la table de mixage.
- Si les DEL de contrôle de votre table de mixage sont dans la zone verte, réduisez le niveau à l'aide du potentiomètre Gain sur l'enceinte active PREMIUM PR:O.
- Observez les DEL de l'indicateur du limiteur, sur le panneau de commande de l'enceinte active PREMIUM PR:O. Celles-ci ne doivent s'allumer que brièvement en rouge. En aucun cas, elles ne doivent rester allumées en rouge de façon permanente. Si c'était le cas, réduisez au niveau du potentiomètre Gain.

Istruzioni di sicurezza importanti.

Leggere prima di effettuare il collegamento!

Il presente prodotto è stato fabbricato dal produttore in conformità alla norma IEC 60065 ed è uscito dallo stabilimento in perfette condizioni di funzionamento. Per preservare tali condizioni e garantirne l'uso sicuro, l'utente deve attenersi alle indicazioni e alle avvertenze riportate nelle istruzioni per l'uso. Se volete usare questo prodotto su veicoli, a bordo di navi o di aerei oppure ad altitudini superiori a 2000 m dovete badare alle rispettive norme di sicurezza supplementive alla norma IEC 60065.

AVVISO: Per evitare il rischio di incendio o folgorazione, non esporre l'apparecchio ad umidità o pioggia. Non aprire l'involucro poiché al suo interno non vi sono parti riparabili dall'utente. Per la riparazione rivolgersi a personale tecnico qualificato.



Questo simbolo segnala la presenza all'interno dell'involucro di tensione pericolosa priva di isolamento sufficientemente alta da costituire un pericolo di folgorazione.



Questo simbolo segnala la presenza di tensione pericolosa accessibile dall'esterno. Il cablaggio esterno collegato ad un qualunque morsetto contrassegnato da questo simbolo deve essere un cavo preconfezionato conforme ai requisiti indicati dal produttore o un cablaggio installato da personale qualificato.



Questo simbolo segnala importanti istruzioni per l'uso e la manutenzione nella documentazione allegata. Leggere il manuale.



Questo simbolo ha il seguente significato: Attenzione! Superficie calda! Non toccare per evitare scottature.



Apparecchiature elettriche o elettroniche di qualsiasi tipo, batterie incluse, non appartengono nell'immondizia - smaltite questo tipo di rifiuti presso gli ufficiali centri di raccolta.



Leggere queste istruzioni. Conservare queste istruzioni. Attenersi a tutti gli avvisi e istruzioni riportati sul prodotto e nel manuale.

- Non utilizzare il prodotto vicino all'acqua. Non collocare il prodotto vicino ad acqua, vasche, lavandini, zone umide, piscine o stanze con presenza di vapore.
- Non collocare sul prodotto oggetti contenenti liquidi, quali vasi, bicchieri, bottiglie ecc.
- Pulire solo con un panno asciutto.
- Non togliere alcun coperchio o parti dell'involucro.
- La tensione di esercizio prescritta per il prodotto deve corrispondere alla tensione di alimentazione della rete locale. In caso di dubbi sul tipo di alimentazione disponibile, rivolgersi al proprio rivenditore o all'azienda di fornitura elettrica locale.
- Prima di collegare l'apparecchio, verificate che l'impianto elettrico sia munito di adatti dispositivi di protezione contro corto circuito e errori della messa a terra in apparecchi collegati.
- Per ridurre il rischio di folgorazione, la messa a terra del prodotto deve essere mantenuta. Utilizzare solo il cavo di alimentazione in dotazione al prodotto e mantenere sempre in funzione il connettore centrale (di terra) del collegamento alla rete. Non escludere la funzione di sicurezza del connettore polarizzato o di messa a terra. Collegate l'apparecchio soltanto a prese di corrente con messa in terra conforme alle norme vigenti.
- Proteggere il cavo di alimentazione affinché non venga calpestato o pizzicato, in particolare in corrispondenza delle prese e degli innesti e nel punto di uscita dal dispositivo. Maneggiare sempre con cura i cavi di alimentazione. Controllare periodicamente la presenza di tagli o usura sui cavi, soprattutto all'altezza della presa e nel punto di uscita dal dispositivo.
- Non utilizzare mai il cavo di alimentazione se danneggiato.
- Scollegare il prodotto in caso di temporale o di lunghi periodi di inutilizzo.
- Il prodotto si scollega completamente dall'alimentazione di rete solo staccando la spina di alimentazione dall'unità o dalla presa a muro. Il prodotto va collocato sempre in modo che sia possibile scollegarlo dall'alimentazione con facilità.
- Fusibili: per garantire prestazioni ottimali, i fusibili utilizzati come ricambio devono essere di tipo IEC127 (5x20 mm) e dell'ampérage nominale richiesto. È vietato utilizzare fusibili riparati o cortocircuitare il portafusibili. Fate sostituire i fusibili soltanto da un tecnico qualificato.

- Per tutte le operazioni di riparazione, rivolgersi a personale qualificato. L'unità va riparata nel caso abbia subito danni, come nei seguenti casi:
 - Il cavo o la presa di alimentazione sono danneggiati o usurati.
 - È penetrato del liquido o degli oggetti all'interno del prodotto.
 - Il prodotto è stato esposto a pioggia o umidità.
 - Il prodotto non funziona correttamente seguendo le istruzioni.
 - Il prodotto ha subito una caduta o l'armadio è stato danneggiato.
- Quando collegate altoparlanti badate di non scendere sotto l'impedenza minima dichiarata sull'apparecchio oppure in questo manuale. Usate sempre cavi dello spessore adatto e corrispondenti alle vigenti norme locali.
- Non esporre ai raggi solari diretti.
- Non installare accanto a fonti di calore quali radiatori, bocchette di diffusione d'aria calda, fornelli o altri dispositivi che generano calore.
- Apparecchiature elettriche o elettroniche di qualsiasi tipo, batterie incluse, non appartengono nell'immondizia - smaltite questo tipo di rifiuti presso gli ufficiali centri di raccolta.
- Non chiudere le aperture di ventilazione. Installare l'unità seguendo le istruzioni fornite dal produttore. Il prodotto non è adatto all'installazione ad incasso, ad esempio in un rack, a meno di non garantire un'adeguata ventilazione.
- Quando viene spostato all'interno di un locale, attendere sempre che il dispositivo, se freddo, raggiunga la temperatura ambiente. Qualora venga utilizzato senza che si sia riscaldato, sussiste il rischio di formazione di condensa al suo interno e di conseguenti danni.
- Non collocare sul prodotto fiamme libere, come ad esempio candele accese.
- Il dispositivo va collocato ad almeno 20 cm/8" di distanza dalle pareti.
- Utilizzare solo in abbinamento al carrello, supporto, piedistallo, staffa o tavola specificati dal produttore o venduti insieme al prodotto. Qualora si utilizzi un carrello, prestare attenzione nello spostare il carrello/la combinazione di prodotto per evitare lesioni causate dall'inciampamento.
- Utilizzare solo accessori consigliati dal produttore. Tale prescrizione si applica a tutti i tipi di accessori, ad esempio coperchi di protezione, borse per il trasporto, supporti, dispositivi per il montaggio a parete o a soffitto, ecc. In caso di applicazione di qualsiasi tipo di accessorio al prodotto, osservare sempre le istruzioni per l'uso fornite dal produttore. Non utilizzare mai punti di fissaggio sul prodotto diversi da quelli indicati dal produttore.
- Questo apparecchio NON è adatto all'uso da parte di persone (compresi i bambini) con capacità fisiche, mentali o sensoriali limitate o da persone prive della necessaria esperienza e/o conoscenza. Tenere sempre l'apparecchio al di fuori della portata dei bambini di età inferiore ai 4 anni.
- Non inserire mai oggetti di alcun tipo all'interno del prodotto attraverso le fessure dell'armadio, poiché potrebbero toccare punti con presenza di tensione pericolosa o causare il cortocircuito dei componenti, con il conseguente rischio di incendio o folgorazione.
- Questo prodotto genera livelli di pressione sonora superiori a 90 dB in grado di causare danni permanenti all'udito. L'esposizione a livelli di rumore estremamente elevati può causare la perdita permanente dell'udito. In caso di esposizione continua, indossare protezioni per l'udito.
- Il produttore garantisce la sicurezza, l'affidabilità e l'efficienza del prodotto solo se:
 - l'assemblaggio, l'ampliamento, la reimpostazione, le modifiche o le riparazioni sono eseguiti dal produttore o da personale autorizzato.
 - l'impianto elettrico dell'area interessata è conforme ai requisiti specificati nelle norme IEC (ANSI).
 - l'unità è utilizzata secondo le istruzioni per l'uso.
- Questo prodotto è stato concepito per un'ottima riproduzione di segnali vocali e musicali. Una riproduzione di segnali sinusoidali, onde quadre o altri segnali di misurazione a livelli elevati può gravemente danneggiare l'apparecchio.

Avvisi di sicurezza per sistemi di altoparlanti



Usate soltanto sistemi di montaggio autorizzati dal produttore per il rispettivo sistema di altoparlanti. Seguite attentamente le istruzioni di montaggio ed usate soltanto accessori di montaggio omologati. È escluso qualsiasi diritto di garanzia in caso di montaggio improprio o se vengono usati accessori di montaggio non omologati. Modificazioni agli altoparlanti, agli accessori di montaggio, agli elementi di connessione e di fissaggio e alle imbracature potrebbero alterare la stabilità del sistema e faranno decadere ogni forma di garanzia. La riparazione di componenti rilevanti dal punto di vista della sicurezza deve venir eseguita soltanto dal produttore o da un suo rappresentante autorizzato - altrimenti decadrà ogni forma di garanzia.



L'installazione deve venir eseguita soltanto da personale competente. Usate soltanto punti di montaggio con una sufficiente capacità portante, considerando eventuali vincoli architettonici. È assolutamente obbligatorio di usare il materiale di fissaggio (viti, tasselli ecc.) indicato nelle istruzioni di montaggio del produttore. Adottate provvedimenti adatti (frenafili, dadi autobloccanti) per prevenire un allentamento dei raccordi filettati.



Assicurate installazioni stazionarie e/o mobili (in questo caso gli altoparlanti e gli accessori di montaggio) contro una caduta dall'alto con due dispositivi indipendenti. Provvedete ad installare dispositivi adatti per cogliere ogni elemento allentato prima che questo possa cadere in terra. Assicuratevi che gli elementi di montaggio e di fissaggio e le imbracature vengano scelti e montati nel rispetto delle normative nazionali e locali vigenti. Tenete conto dei carichi dinamici (forze di trazione-compressione) per calcolare le dimensioni dei dispositivi di sicurezza.



Se usate stativi, badate che non venga oltrepassato il loro carico massimo ammissibile. Badate inoltre che, per motivi costruttivi, gli stativi di solito sono concepiti ed omologati soltanto per portare un carico centrato. Gli stativi devono essere posizionati in modo sicuro e stabile. Provvedete ad assicurare (o meglio ancora fissare) gli stativi se per esempio:

- la loro superficie di appoggio non consenta un posizionamento stabile,
 - la loro altezza limita la stabilità,
 - si potrebbero manifestare venti forti,
 - potrebbero essere rovesciate da persone.
- Prendete provvedimenti contro ogni forma di comportamento rischioso da parte degli spettatori. È vietato posare stativi che ingombrano le vie di fuga e l'accesso soccorsi. Se volete posare stativi in una via di comunicazione, verificate prima che la larghezza della via lo consenta e badate in ogni caso ad una protezione (transenne, cordone ecc.) e ad una segnalazione adeguata. Il montaggio e smontaggio degli altoparlanti significa un rischio elevato. Utilizzate sempre l'attrezzatura adatta e assicuratevi che le attività vengano svolte nel rispetto delle normative nazionali in vigore.



Durante il montaggio, indossate sempre indumenti protettivi appropriati (casco, guanti, calzature di sicurezza) ed usate soltanto mezzi di salita adatti e sicuri (scala, ponteggio ecc.). Il rischio è a esclusivo carico della ditta o del tecnico che esegue i lavori di montaggio.



ATTENZIONE! Verificate dopo il montaggio del sistema di altoparlanti che il montaggio e cablaggio sia avvenuto in modo corretto e che tutte le giunzioni siano stabili. L'operatore di un sistema di altoparlanti (stazionario o mobile) è obbligato a controllare o a fare controllare regolarmente ogni componente del sistema nel rispetto delle normative nazionali e locali in vigore e a fare riparare ogni danno immediatamente.

Vi consigliamo di documentare meticolosamente ogni missione di controllo in un libretto di controllo. Per un sicuro montaggio di altoparlanti all'aperto dovete prendere in considerazione i vari fenomeni che potrebbero limitare la stabilità e la capacità portante dell'impianto, soprattutto i carichi dovuti al vento, al peso della neve o del ghiaccio e gli influssi di temperatura. Badate a dimensionare i punti di sollevamento per un montaggio in sospensione prendendo in considerazione una sufficiente riserva di sicurezza. Assicuratevi che tutto avvenga nel rispetto delle normative nazionali in vigore.

- Se siete insicuri, chiedete al rispettivo produttore se il vostro prodotto sia adatto per un uso all'aperto.



I sistemi di sonorizzazione professionali sono in grado di produrre livelli sonori nocivi alla salute. Anche essere sottoposto a livelli apparentemente inoffensivi (a partire da circa 95 dBA SPL) per un elevato periodo di tempo può provocare perdite dell'udito. Quindi consigliamo che ogni persona sottoposta ad alti livelli sonori provenienti da un sistema di sonorizzazione porti un'adatta protezione per l'udito (tappi auricolari o paraorecchie).

Produttore: Stamer Musikanlagen GmbH, Magdeburger Str. 8, 66606 St. Wendel, Germania

PREMIUM PR:0 SERIES

Self-powered cabinets

Benvenuti nella famiglia HK AUDIO!

Grazie per aver scelto un prodotto di marca concepito e fabbricato nella nostra casa secondo i nostri meticolosi criteri di qualità.



Anche se siete un utente esperto di sistemi di sonorizzazione - questo prodotto vi offrirà alcuni aspetti che saranno nuovi per voi. Per questo vi preghiamo di non ignorare questo manuale e di conservarlo in un luogo sicuro per averlo sempre a disposizione.

Vi auguriamo il migliore suono in qualsiasi situazione!

Il vostro team HK Audio

Garanzia

Il modo più veloce e confortevole: la registrazione online sul nostro sito www.hkaudio.com.



<http://warranty.hkaudio.com>

La registrazione è valida soltanto se avviene su internet ed entro 30 giorni dalla data d'acquisto.

HK AUDIO

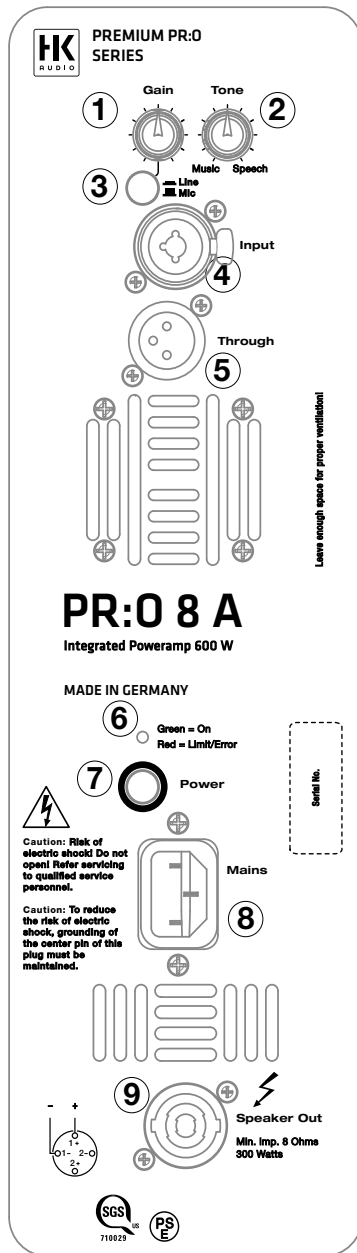
Technischer Service (servizio tecnico)
Postfach 1509
66595 St. Wendel, Germania
Fax: +49 6851 905 100

Indice

1	PR:0 8 A, PR:0 10 XA, PR:0 12 A, PR:0 12 MA, PR:0 15 A, PR:0 15 XA	22
1.1	Elementi di controllo	22
1.2	Collegamenti e connessione dei cavi	22
1.3	Messa in funzione	22
1.4	Regolazioni	23
1.5	Orientamento	23
2	PR:0 18 Sub A, PR:0 210 Sub A	24
2.1	Elementi di controllo	24
2.2	Collegamento e cablazione	24
2.3	Messa in funzione	24
2.4	Regolazioni	25
3	Consigli e stratagemmi	25
4	Ricerca e soluzione di eventuali problemi	25

1 PR:O 8 A, PR:O 10 XA, PR:O 12 A, PR:O 12MA, PR:O 15 A, PR:O 15 XA

1.1 Elementi di controllo



1 Gain

Controllo per regolare il livello d'ingresso.

2 Tone (non disponibile nel modello PR:O 12 MA)

Col controllo Tone potete ottimizzare il vostro cabinet attivo a seconda dell'utilizzo desiderato (musica o vocali). Un filtro speciale adatta la risposta in frequenza per un'ottima riproduzione del richiesto tipo di segnale. Visto che l'acustica del locale e la posizione dell'impianto

condizionano il suono, vi consigliamo di girare il controllo per trovare la posizione ottima per il segnale di musica e di microfono. Girando verso „Speech“ le voci vengono alzate, mentre il settore „Music“ provvede a un suono più armonioso e voluminoso (alzando i bassi e abbassando i medi).

Il controllo Tone serve a adattare il vostro altoparlante a una sonorizzazione musicale o vocale, tramite un filtro speciale che adatta la risposta in frequenza a seconda delle rispettive esigenze. Girando il controllo Tone, potete adattare lo spettro sonoro alzando o abbassando un filtro bandpass con una frequenza centrale di 1500 Hz (2500 Hz - PR:O 10 XA, 2600 Hz - PR:O 8 A) - aumento massimo: 2 dB, riduzione massima 2 dB.

Contemporaneamente avviene un rispettivo aumento o una riduzione dei bassi (valore massimo: 2 dB). Uno specifico circuito di controllo provvede a una correzione del volume adattandolo alle caratteristiche percettive umane. In posizione media, il filtro è neutralizzato.

3 Tasto Mic/Line (non disponibile nel modello PR:O 12 MA)

Se volete collegare un microfono, usate il tasto Line/Mic per mettere la sensibilità su „Mic“. Azionando il tasto, la sensibilità d'ingresso viene alzata di 30 dB adattando l'ingresso ai segnali di microfono

4 Input

Ingresso XLR / 1/4" (presa combinata) a simmetria elettronica per il segnale di un mixer (pin 1= Ground, 2= +, 3= -).

5 Through

Uscita parallela per mandare il segnale Line a altri cabinet attivi o monitor per esempio della serie PREMIUM PR:O.

6 Limiter Status LED

LED bicolore che segnala lo stato del segnale (verde = segnale, rosso = limite). Un peak di segnale a volume elevato viene segnalato tramite una luce rossa.

Attenzione! Qui non si tratta di un Led Clip. Un corto lampeggiare in rosso ogni tanto è assolutamente normale e segnala che il limiter RMS lavora. Se però il Led rosso rimane acceso durante un peak di segnale, dovete controllare il livello d'ingresso del segnale e ridurre il controllo di volume (Gain) del vostro cabinet. Un Led rosso permanentemente acceso significa che è avvenuto un errore.

7 Interruttore Power

Interruttore per attivare o disattivare il cabinet attivo PREMIUM PR:O. Un Led Signal verde indica che il cabinet è attivato.

Nota: Abbiamo immesso l'interruttore Power per proteggerlo da un azionamento involontario. Nel modo Power On, l'interruttore

si trova quasi allo stesso livello della superficie della piastra di collegamento. Così è protetto da un azionamento involontario rimanendo facile a manipolare.

8 Mains Input

Collegate questa presa alla corrente usando il cavo d'alimentazione contenuto nella confezione.

Nota: Tutti i diffusori attivi PREMIUM PR:O sono muniti di prese d'alimentazione ad alta sicurezza V-Lock. In combinazione con un opzionale cavo d'alimentazione pressa e rilascia (VOLEX o simile) viene impedito un disimpegno involontario del cavo d'alimentazione.

9 Parallel Speaker Out

Uscita Speakon NL4 per collegare un cabinet passivo PREMIUM PR:O o altoparlanti passivi di altre marche.

Badate di mantenere sempre i valori d'impedenza richiesti (al massimo 1 cabinet con un impedenza minima di 8 Ohm). A questa uscita la finale di potenza fornisce al massimo 300 Watt.

1.2 Collegamenti e connessione dei cavi

Collegate i cavi di segnale provenienti dal vostro mixer (Monitor Out, Line Out o simili) alla presa Input a simmetria elettronica utilizzando un cavo di microfono XLR. La spina XLR deve essere cablata in modo seguente:

1= Ground, 2= +, 3= -.

Se volete collegare un microfono direttamente al cabinet attivo PREMIUM PR:O senza utilizzando un mixer, usate la presa Input a simmetria elettronica e mettete la sensibilità d'ingresso su Mic. Utilizzate un cavo microfono XLR. La spina XLR deve essere cablata in modo seguente: 1= Ground, 2= +, 3= -.

1.3 Messa in funzione

- Verificate che il cabinet attivo sia spento prima di collegarlo alla corrente.

Attenzione! Badate che i valori di tensione del locale corrispondano ai valori indicati sul retro del cabinet attivo PREMIUM PR:O. Collegando il cabinet attivo PREMIUM PR:O a una corrente di valore sbagliato rischiate di distruggere i componenti elettronici.

- Chiudete i controlli Gain (Gain Line/mic) girandoli in senso antiorario.
- Se collegate un segnale Line badate che ogni altro componente sia attivato prima di collegare il cavo. Vale a dire, sia il mixer, sia ogni fonte di segnale collegata al mixer come tastiere, amplificatori per strumenti, processori di segnale ecc. devono essere accesi. Verificate che il tasto Mic/Line del cabinet attivo PREMIUM PR:O sia messo sulla posizione giusta (Standard = Line).

Badate di accendere il cabinet attivo PREMIUM PR:O sempre come ultimo, vale a dire dopo aver attivato tutti i componenti di periferia, e di spegnerlo prima di disattivare questi.

- Dopo aver azionato l'interruttore Power, l'aeratore si accende per un breve periodo di 5 secondi circa (check sistema). L'aeratore si attiva automaticamente quando l'unità raggiunge la temperatura di soglia. Si attiva soltanto a livelli di volume elevati e si regola a seconda della temperatura.
- Dopo aver azionato l'interruttore Power, il Led Power verde si accende (quando l'impianto è collegato alla rete).
- Girate il controllo Gain Line In sulla posizione media (= 0 dBV) Se utilizzate un mixer per controllare il cabinet attivo PREMIUM PR:O conviene lasciare il controllo in questa posizione. Se volete collegare un lettore CD o una tastiera, conviene di girare il controllo Gain nel senso orario a seconda del livello del segnale ricevuto per ottenere un massimo volume. Se il segnale d'ingresso risulta ancora troppo debole, dovete alzare il volume della fonte del segnale (per esempio col rispettivo controllo di un lettore MP3).

Eventualmente conviene girare il controllo Gain del cabinet attivo PREMIUM PR:O in senso antiorario sulla posizione minore e poi azionare il tasto Mic/Line. Questo alza il livello del segnale d'ingresso di 30 dB. Girando il controllo nuovamente in senso orario, potete regolare la sensibilità d'ingresso desiderata. Per ottenere il migliore risultato possibile, il Led Limiter rosso non deve accendersi permanentemente.

1.4 Regolazioni

Regolazione del volume col controllo Gain

Il controllo serve – in combinazione ad un azionamento del tasto Mic/Line – ad adattare la sensibilità d'ingresso per segnali line e di microfono.

Se si fanno presenti distorsioni o saturazioni, dovete ridurre il segnale di uscita della fonte di segnale. Se questo non solverà il problema, riducete il segnale arrivando al cabinet attivo PREMIUM PR:O col controllo Gain Line In.

Tone (non disponibile nel modello PR:O 12 MA)

Partendo dalla posizione media, potete variare le caratteristiche sonore girando il controllo in senso orario o antiorario. Nella posizione „Music“ vengono ridotte le frequenze medie ed alzate quelle bassi (segnale Live o CD).

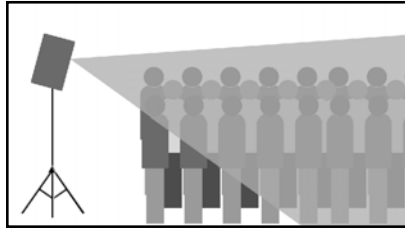
La posizione „Speech“ offre un'ottima riproduzione vocale.

Il volume viene corretto automaticamente in ogni posizione.

1.5 Orientamento

HK Audio DuoTilt™

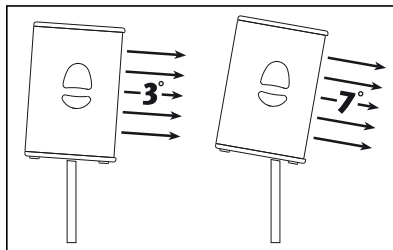
(non disponibile nel modello PR:O 12 MA; abbiamo integrato nel PR:O 8 A un HK Audio Mono Tilt* con un angolo d'inclinazione di 3°)



La flangia di supporto HK Audio DuoTilt™ permette di orientare il cabinet attivo PREMIUM PR:O in relativa a un asse orizzontale. Questo serve ad evitare o ridurre indesiderate riflessioni sonore della soffitta. Utilizzando la flangia anteriore del

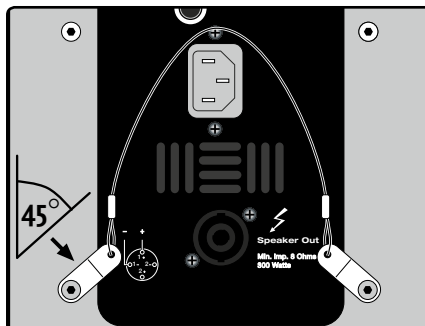
HK Audio DuoTilt™, inclinate il cabinet di 3°, utilizzando la flangia posteriore di 7°.

Se volete utilizzare il cabinet attivo PREMIUM PR:O su uno stativo di supporto oppure su una asta conviene scegliere l'angolo di 7°. Questo angolo conviene soprattutto quando il pubblico non è troppo numeroso e si trova in diretta vicinanza dei cabinet. Per un grande pubblico che si trova assai distante dagli altoparlanti, conviene scegliere l'angolo di 3° del HK Audio DuoTilt™.



Cavo-curving (soltanto PR:O 8 A)

Per un orientamento verticale del PR:O 8 A (p.e. in una installazione fissa oppure quando la cassa viene montata sotto una traversa) abbiamo incluso un cavo-curving, che può venire fissato in modo facile e sicuro avvitandolo al modulo di elettronica con le viti inferiori.



Montaggio:

il cavo-curving viene fissato sul retro del PR:O 8 A e permette un orientamento esatto del PR:O 8 A quando l'impianto viene montato in sospensione.

- Svitare le due viti inferiori del pannello di collegamento.
- Posizionate le due rondelle sopra i fori.
- Orientate le due piastre di collegamento del cavo-curving nel modo che formino un angolo di 45° e avvitateli con la cassa (vedete illustrazione).

Nota: Badate che le piastre siano orientate formando un angolo di 45°, altrimenti non è garantito un utilizzo sicuro!

- Stringete bene le viti.

Il kit-cavo contiene:

2x rondelle

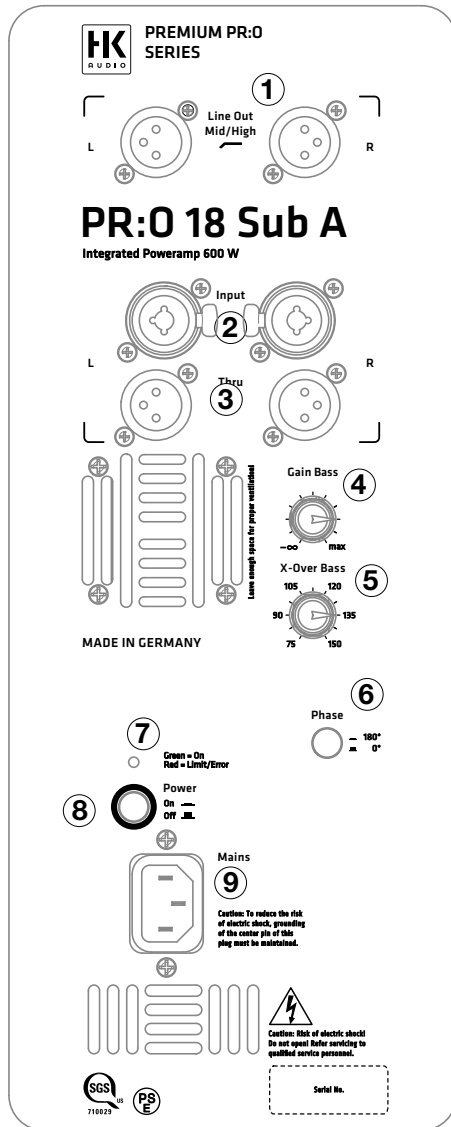
2x viti a testa piana lenticolare 5x25

1x cavo con piastre di collegamento

Attenzione: il cavo-curving serve soltanto per posizionare la cassa in un certo angolo verticale, non utilizzarlo mai come gancio di sospensione!

2 PR:O 18 Sub A, PR:O 210 Sub A

2.1 Elementi di controllo



1 Out L / Out R (Line Out Mid / High)

Due uscite XLR a simmetria elettronica per collegare top PREMIUM PR:O (pin 1= Ground, 2= +, 3= -).

2 Input L / Input R

Due ingressi XLR / 1/4" (presa combinata) a simmetria elettronica per il segnale di un mixer (pin 1= Ground, 2= +, 3= -).

3 Through L / Through R

Due uscite parallele per mandare il segnale Line ad altri cabinet attivi o a un monitor, per esempio un modello della serie PREMIUM PR:O (pin 1= Ground, 2= +, 3= -).

4 Gain Bass

Controllo per regolare il livello d'ingresso (posizione media = 0 dBV).

In combinazione con un cabinet attivo PREMIUM PR:O, la posizione media è il posto di riferimento ideale. Potete alzare o abbassare la proporzionalità delle frequenze basse a seconda il vostro gusto. Se avete collegato addizionali top PREMIUM PR:O, conviene lasciare il controllo Gain nella posizione media. Da questa posizione potete cambiare il livello d'ingresso a seconda la situazione di sonorizzazione.

5 X-Over-Bass

Il filtro divisore attivo permette di variare la frequenza limite superiore del subwoofer entro 75 Hz e 150 Hz. Visto che una posizione ottima dipende in alto grado dal locale e dall'utilizzo di satelliti non possiamo consigliarvi un valore fisso.

Nota: Sopra di 100 Hz l'altoparlante bassi trasmette una quota elevata di segnali (per esempio quote di voci basse e altre fonti sonori). Sotto ai 100 Hz, il cabinet trasmette soprattutto segnali di basso, bass drum o i profondi bassi di una tastiera.

6 Phase

Il tasto fase serve a adattare il subbass alle fasi dei satelliti collegati (0° - 180°). Se avete collegato un top PREMIUM PR:O, mettete il tasto dello PR:O 18 Sub A su 0°. Se usate il PR:O 210 Sub A, dovete girare la fase di 180° per mettere in fase i satelliti e il subwoofer PREMIUM PR:O. Se invece volete utilizzare altri altoparlanti, potrebbe convenire girare la fase di 180°. Se non siete sicuri, basta semplicemente provarlo. Se il suono si alterna presentando bassi impotenti e indifferenziati, le fasi sono girate.

7 Limiter Status LED

LED bicolore che segnala lo stato del segnale (verde = segnale, rosso = limite). Un peak di segnale a volume elevato viene segnalato tramite una luce rossa.

Attenzione! Qui non si tratta di un LED Clip. Un corto lampeggiare in rosso ogni tanto è assolutamente normale e segnala che il limiter lavora. Controllate il livello d'ingresso del segnale e riducete il volume col controllo Gain del vostro cabinet. Un Led rosso permanentemente acceso significa che è avvenuto un errore.

8 Interruttore Power

Interruttore per attivare o disattivare il cabinet attivo PREMIUM PR:O. Il Led Signal verde indica che il cabinet è attivato.

Nota: Abbiamo immesso l'interruttore Power per proteggerlo da un azionamento involontario. Nel modo Power On, l'interruttore si trova quasi allo stesso livello della superficie della piastra di collegamento. Così è protetto da un azionamento involontario rimanendo facile a manipolare.

9 Mains Input

Collegate questa presa alla corrente usando il cavo d'alimentazione contenuto nella confezione. Nota: Tutti i diffusori attivi PREMIUM PR:O sono muniti di prese d'alimentazione ad alta sicurezza V-Lock. In combinazione con un opzionale cavo d'alimentazione pressa e rilascia (VOLEX o simile) viene impedito un disimpegno involontario del cavo d'alimentazione.

2.2 Collegamento e cablazione

Collegate i cavi di segnale provenienti dal vostro mixer (Monitor Out, Line Out o simili) alla presa Input a simmetria elettronica utilizzando un cavo di microfono XLR. Collegate i satelliti attivi tramite le uscite XLR del „X-Over-Out“. Utilizzate le due prese Through per un bypass del segnale full range ad altri altoparlanti. La spina XLR deve essere cablata in modo seguente: 1= Ground, 2= +, 3= -.

2.3 Messa in funzione

- Verificate che il cabinet attivo sia spento prima di collegarlo alla rete.

Attenzione! Badate che i valori di tensione del locale corrispondano ai valori indicati sul retro del cabinet attivo PREMIUM PR:O. Collegando il cabinet attivo PREMIUM PR:O a una corrente di valore sbagliato rischiate di distruggere i componenti elettronici.

- Chiudete i controlli Gain girandoli in senso antiorario.

Badate che ogni altro componente collegato (per esempio un mixer) sia attivato prima di collegare il cavo. Vale a dire, sia il mixer, sia ogni fonte di segnale collegata a questo come tastiere, amplificatori per strumenti, processori di segnale ecc. devono essere accesi. I cabinet attivi PREMIUM PR:O devono sempre essere collegati al X over Input ed azionati per ultimi dopo aver acceso ogni altro componente dell'impianto. Prima di spegnere per favore ridurre il volume degli altoparlanti (Gain in senso antiorario) e spegnere il cabinet attivo prima di ogni componente collegato.

Dopo aver azionato il cabinet attivo tramite l'interruttore Power, l'aeratore si accende per un breve periodo di 5 secondi circa (check sistema). L'aeratore si attiva a una certa temperatura di soglia e soltanto a livelli di volume elevati e si regola a seconda della temperatura.

- Il LED Power si illumina di verde, quando il cabinet attivo è collegato alla rete.

Girate il controllo Gain Line In sulla posizione media (= 0 dBV). Se utilizzate un mixer per controllare il cabinet attivo PREMIUM PR:O conviene lasciare il controllo di livello in questa posizione. Se richiesto, potete utilizzare il controllo Gain per aumentare il livello d'ingresso di 6 dB. Per ottenere il migliore risultato possibile, il LED Limiter rosso non deve illuminarsi permanentemente.

2.4 Regolazioni

Regolazione del volume col controllo Gain

Utilizzate questo controllo per adattare la sensibilità d'ingresso a segnali Line o di microfono.

Se si fanno presenti distorsioni o saturazioni, dovete ridurre il segnale di uscita della fonte di segnale. Se questo non solverà il problema, riducete il segnale arrivando al cabinet attivo PREMIUM PR:O col controllo Gain (riduzione del livello d'ingresso).

3 Consigli e stratagemmi

1 Proteggete l'elettronica da qualsiasi tipo di umidità! Se utilizzate il vostro sistema ad aria aperta, badate di montarlo in un luogo dove sia protetto da eventuali piogge. Non posare bicchieri o bottiglie di birra o di altre bibite sull'impianto – se sconvolti, il loro contenuto potrebbe creare un corto circuito.

2 I cabinet attivi PREMIUM PR:O producono un suono ottimo – se vengono fornite di un ottimo segnale d'ingresso! Spesso cavi difettosi o non adatti oppure segnali non simmetrici all'ingresso del mixer creano ronzii indesiderati. In questo caso dovete controllare ogni cavo di rete e di segnale ed eventualmente cambiarlo.

3 Evitate ogni tipo di distorsione! Distorsioni non solo sono poco graditi dai ascoltatori ma possono anche danneggiare il vostro impianto. Badate che i componenti direttamente o indirettamente collegati ai cabinet attivo PREMIUM PR:O dispongano di sufficiente potenza e che non vengano mai usati al limite producendo distorsioni indesiderati. Badate che il segnale audio sia sempre ben definito.

4 Evitate anelli (loop) di terra! Anche in caso di una conduzione simmetrica del segnale possono presentarsi ronzii indesiderati in un sistema audio, per esempio quando il mixer è stato messo a terra con un cavo rete non collegato allo stesso circuito che alimenta i cabinet attivi PREMIUM PR:O. In questo caso, la presente doppia connessione massa-terra può creare un cosiddetto loop di terra. Per evitare questo, dovete sempre collegare i cabinet attivi PREMIUM PR:O e il mixer allo stesso circuito (stessa fase!).

Attenzione! Mai staccare o isolare la messa a terra del cavo rete – pericolo di morte!

4 Ricerca e soluzione di eventuali problemi

Accendendo il cabinet, l'interruttore di rete non si illumina.

- Verificate che il cavo rete sia collegato al Mains Input.
- Verificate che la rete alla quale vi collegate porti corrente.

L'interruttore Power vacilla in rosso.

- Il limiter lavora, caso mai conviene ridurre il livello d'ingresso.

L'interruttore Power si illumina permanente in rosso, ma l'altoparlante non produce un suono.

- È stato attivato il circuito di protezione del cabinet. Vi preghiamo di contattare il vostro rivenditore.

La riproduzione sembra presentare delle distorsioni,

- Controllate le spie Led del vostro mixer. Se queste si trovano sempre nel settore rosso, dovrete abbassare il volume del mixer.
- Nel caso le spie Led del vostro mixer si trovino nel settore verde, dovete girare il controllo Gain del PREMIUM PR:O in senso antiorario.
- Tenete d'occhio i Led del Limiter sul pannello di controllo del cabinet attivo PREMIUM PR:O. Questi devono illuminarsi in rosso solo brevemente. Se questi si illuminano costantemente in rosso, girate i controlli Gain in senso antiorario.

Importantes instrucciones de seguridad.

¡Leer antes de encender!

Este producto ha sido elaborado por el fabricante de conformidad con IEC 60065 y ha salido de fábrica en perfecto estado. Para que se mantenga en perfectas condiciones y asegurar que no exista riesgo alguno, el usuario deberá observar los avisos y advertencias que se encuentran en el manual de instrucciones. En caso de utilizar este producto en vehículos, embarcaciones o aviones, así como a altitudes superiores a los 2.000 m sobre el nivel del mar, además de la norma IEC 60065 también se deberán cumplir las demás normas de seguridad aplicables.

ADVERTENCIA: Para prevenir el riesgo de incendio y el peligro de electrocución, evite la exposición del equipo a humedad o lluvia. No abra la cubierta: en el interior no hay elementos que deba manipular el usuario. El mantenimiento deberá quedar a cargo de personal cualificado.



La presencia de este símbolo advierte de la existencia de tensión peligrosa sin aislar en el interior que podría ser suficiente para provocar una electrocución.



La presencia de este símbolo advierte de la existencia de tensión peligrosa accesible desde el exterior. Todo cableado externo conectado con algún terminal marcado con este símbolo deberá ser un cableado preelaborado que satisfaga las recomendaciones del fabricante o deberá ser instalado por personal cualificado.



La presencia de este símbolo advierte de importantes instrucciones de uso y mantenimiento en la bibliografía adjunta. Lea el manual.



La presencia de este símbolo indica: ¡Precaución! ¡Superficie caliente! No tocar para evitar quemaduras.



Todos los aparatos eléctricos y electrónicos inclusive las baterías, se han de evacuar por separado de la basura doméstica, a través de centros de recogida y reciclaje oficiales.



Lea las presentes instrucciones. Conserve las presentes instrucciones. Observe todas las advertencias e indicaciones señaladas en el producto y en las instrucciones.

- No utilice el producto cerca del agua. No coloque el producto cerca de agua, baños, bañeras, fregaderos, zonas húmedas, piscinas o saunas.
- No coloque objetos que contengan líquidos sobre el producto, como jarrones, vasos, botellas, etcétera.
- Limpie exclusivamente con paños secos.
- No retire ninguna cubierta ni elementos del armazón.
- La tensión operativa del producto deberá ajustarse a la tensión del suministro eléctrico local. Si no está seguro del tipo de electricidad disponible, consulte con su distribuidor o con la compañía eléctrica local.
- Antes de conectar el aparato debe asegurarse de que la instalación de alimentación de red tenga equipos de protección suficientes contra cortocircuito y fallo de puesta a tierra de los dispositivos conectados.
- Para reducir el riesgo de electrocución, deberá mantenerse la puesta a tierra del producto. Utilice solamente el cable de alimentación suministrado con el producto y mantenga siempre activo de la patilla central (puesta a tierra) del cuadro de conexiones. No desactive la función de seguridad del enchufe polarizado o con puesta a tierra. El aparato solamente debe conectarse a enchufes que tengan una puesta a tierra de protección que funcione reglamentariamente.
- Proteja el cable de alimentación de pisadas o pinzamientos, especialmente junto a enchufes, soportes de dispositivos y el punto de salida desde el equipo. Los cables de alimentación deberán manipularse siempre con precaución. Compruebe periódicamente que los cables no tengan cortes ni signos de desgaste, especialmente en el enchufe y en el punto de salida desde el equipo.
- No utilice nunca un cable dañado.
- Desenchufe el producto durante las tormentas con aparato eléctrico o cuando vaya a estar en desuso durante periodos prolongados.
- El producto solamente se puede desconectar por completo de la red extrayendo el enchufe de red de la unidad o de la toma de la pared. El producto deberá colocarse en todo momento de tal modo que su desconexión de la red sea sencilla.

- Fusibles: Reemplace solamente con fusibles de tipo (5x20 mm) y amperaje según IEC 127. Está prohibido usar „fusibles parcheados“ o cortocircuitar los portafusibles. La sustitución de los fusibles debe ser realizada únicamente por personal cualificado.
- El mantenimiento deberá quedar a cargo de personal cualificado. Será necesaria una revisión si la unidad resulta dañada de cualquier forma, por ejemplo:
 - si el cable de alimentación o el enchufe están dañados o deshilachados;
 - si se han derramado líquidos sobre el producto o han caído objetos en él;
 - si el producto se ha visto expuesto a lluvia o humedad;
 - si el producto no funciona con normalidad pese a seguirse las instrucciones de uso;
 - si el producto ha sido salpicado o el cajetín ha sido dañado.
- Cuando se conecten altavoces a este aparato no se podrá sobrepasar el límite de impedancia mínima especificado en el aparato o en las presentes instrucciones. La sección de los cables empleados debe ser suficiente en conformidad con la reglamentación local.
- Proteja de la luz solar directa.
- No instale cerca de fuentes de calor como radiadores, difusores de calor, estufas u otros dispositivos que produzcan calor.
- Este aparato ha sido desarrollado para su uso en zonas climáticas moderadas – y no para su uso en zonas climáticas tropicales.
- No bloquee ninguna abertura de ventilación. Instale de conformidad con las instrucciones del fabricante. No deberá situarse el producto en una instalación integrada, como una rejilla, a no ser que exista la ventilación necesaria.
- Permita siempre que un dispositivo frío se caliente a temperatura ambiente cuando se traslade a alguna sala. Pueden formarse condensaciones en el interior del producto y dañarlo cuando se usa sin precalentamiento.
- No sitúe fuentes de llama abierta, como velas encendidas, sobre el producto.
- El dispositivo deberá situarse al menos a 20 cm/8" de distancia de las paredes.
- Utilice solamente con el carro, soporte, trípode, abrazadera o tablero especificado por el fabricante o vendido junto con el producto. Cuando se use un carro, deberá tenerse precaución al mover la combinación de carro/producto para evitar daños por vuelcos.
- Utilice solamente accesorios recomendados por el fabricante; esto será de aplicación para todo tipo de accesorios, por ejemplo, cubiertas protectoras, bolsas de transporte, pies, soportes murales o de techo. En caso de instalación de cualquier tipo de accesorio en el producto, siga siempre las instrucciones de uso suministradas por el fabricante. Nunca utilice puntos de fijación distintos de los especificados por el fabricante.
- El dispositivo NO es apropiado para su uso por parte de cualquier persona o personas (niños incluidos) con las capacidades físicas, sensoriales o mentales limitadas o sin la experiencia o el conocimiento suficientes con productos de este tipo. El dispositivo deberá mantenerse siempre fuera del alcance de los niños menores de 4 años.
- Nunca introduzca objetos de ninguna clase en el producto a través de las ranuras del cajetín, ya que podrían tocar puntos de tensión peligrosa, ni cortocircuite elementos que pudieran causar riesgo de incendio o electrocución.
- El producto puede emitir niveles de presión sonora por encima de 90 dB, lo que puede causar daños auditivos permanentes. La exposición a niveles sonoros extremadamente altos puede causar pérdidas auditivas permanentes. Lleve protección auditiva si va a estar expuesto de forma continua a dicho tipo de elevados niveles.
- El fabricante solamente garantiza la seguridad, la fiabilidad y la eficiencia del producto si:
 - el montaje, la extensión, el reajuste, las modificaciones o las reparaciones son realizados por el fabricante o por personal autorizado;
 - la instalación eléctrica del área interesada es conforme con los requisitos de las especificaciones de IEC (ANSI);
 - la unidad se utiliza conforme a las instrucciones de uso.
- Este producto está optimizado para el uso de señales de música y voz. El uso de señales senoidales, rectangulares o de medición de otro tipo con nivel superior puede dañar seriamente el aparato.

Instrucciones generales de seguridad para sistemas de altavoces

Los sistemas de fijación deben usarse exclusivamente para los sistemas de altavoces autorizados por el fabricante y con los accesorios de montaje indicados en las Instrucciones de montaje. Deben tenerse en cuenta obligatoriamente las Instrucciones de montaje del fabricante. No puede garantizarse la carga indicada y el fabricante no asume ninguna responsabilidad en caso de montaje inadecuado o uso de accesorios de montaje no autorizados.

No puede garantizarse la capacidad de carga del sistema y el fabricante no asume ninguna responsabilidad si se realizan modificaciones en los altavoces, los accesorios de montaje, los elementos de unión y de fijación, así como los medios de sujeción. Los reparaciones en las piezas relevantes para la seguridad deben ser realizadas sólo por el fabricante o personas autorizadas por él, de lo contrario se extinguirá la autorización de funcionamiento.



La instalación tiene que realizarla exclusivamente un experto y sólo en puntos de montaje con una capacidad de carga suficiente, si procede, teniendo en cuenta las servidumbres de construcción. Debe usarse el material de fijación (tornillos, tacos, etc.) estipulado por el fabricante en las Instrucciones de montaje. Las uniones atornilladas deben asegurarse contra aflojamiento con las medidas apropiadas.



Las instalaciones estacionarias o móviles (altavoces incluidos accesorios de montaje) deben asegurarse contra caídas por medio de dos dispositivos de actuación independiente entre sí. Las piezas adicionales sueltas o las que se aflojen deben sujetarse con los dispositivos apropiados. Si se usan elementos de unión y de fijación, así como medios de sujeción, deben tenerse en cuenta las normas nacionales. Respecto a la medición de los medios de seguridad, deben tenerse en cuenta las posibles cargas dinámicas (fuerzas a sacudidas).



En los pies de soporte debe tenerse en cuenta principalmente la carga máxima. Además, por motivos constructivos, la mayoría de los pies de soporte sólo están autorizados para soportar la carga exactamente centrada. Los pies de soporte deben instalarse de forma estable. Los pies de soporte tienen que asegurarse adicionalmente con las medidas apropiadas, por ejemplo cuando:

- su superficie de apoyo no permita un apoyo estable,
 - sus alturas limiten la estabilidad,
 - se espere una presión del viento excesiva,
 - se prevea que puedan ser volcados por personas.
- Pueden ser también necesarias medidas especiales como precaución contra el comportamiento peligroso de los espectadores. Los pies de soporte no deben instalarse en las vías de escape y de emergencia. En caso de instalación en vías de circulación debe tenerse en cuenta la anchura necesaria de las vías y el bloqueo y señalización reglamentarios. Existe un peligro especial al colocar y apilar. Para ello deben usarse los medios auxiliares adecuados. Deben tenerse en cuenta las normas nacionales.



Durante el montaje debe usarse equipo protector adecuado (especialmente casco protector, guantes y calzado de seguridad) y sólo deben usarse ayudas para subir apropiadas (escaleras, andamios, etc.). La responsabilidad exclusiva será de la empresa que realice la instalación.



¡ATENCIÓN! Después del montaje tiene que comprobarse la suspensión del sistema en el soporte y la fijación segura de los altavoces. El explotador de los sistemas de altavoces (estacionarios o móviles) está obligado a comprobar o hacer comprobar regularmente todos los componentes del sistema teniendo en cuenta las regulaciones nacionales respectivas y hacer solucionar inmediatamente los posibles daños.

Además, recomendamos una documentación completa de todas las medidas de comprobación en los libros de inspección o similares. Para el uso prolongado o permanente de altavoces al aire libre deben tenerse en cuenta también las cargas de viento, nieve y hielo o las influencias térmicas para la estabilidad y capacidad portante de las superestructuras y superficies. En especial, los puntos de sujeción de la carga de los sistemas suspendidos tienen que dimensionarse con reservas de seguridad suficientes. Deben tenerse en cuenta las normas nacionales.

- Consulte con el fabricante si su producto es apropiado para el funcionamiento al aire libre.



Los sistemas de altavoces profesionales pueden crear niveles acústicos perjudiciales para la salud. La influencia de un nivel acústico aparentemente inofensivo durante un periodo prolongado puede causar daños permanentes en la audición (desde aprox. 95 dBA SPL). Por ello, aconsejamos que todas las personas expuestas a un nivel acústico alto debido al funcionamiento de sistemas de altavoces usan protección acústica profesional (tapones para los oídos o auriculares protectores).

Fabricante: Stamer Musikanlagen GmbH, Magdeburger Str. 8, 66006 St. Wendel, Alemania

PREMIUM PR:0 SERIES

Self-powered cabinets

¡Bienvenido a la familia HK Audio!

Muchas gracias por haberse decidido por un producto de una de nuestras marcas, que hemos desarrollado y cuidado con el máximo esmero.



Aunque tenga ya una amplia experiencia con instalaciones de sonido, en este producto encontrará novedades para Ud. Por lo tanto, debe leer este manual del usuario y guardarlo para su consulta posterior.

¡Le deseamos que disfrute del mejor sonido que haya oído nunca!

El equipo HK Audio

Garantía

Hágalo cómodamente online en www.hkaudio.com.



<http://warranty.hkaudio.com>

El registro solo es válido si se realiza online en un plazo de 30 días desde la fecha de compra.

HK AUDIO

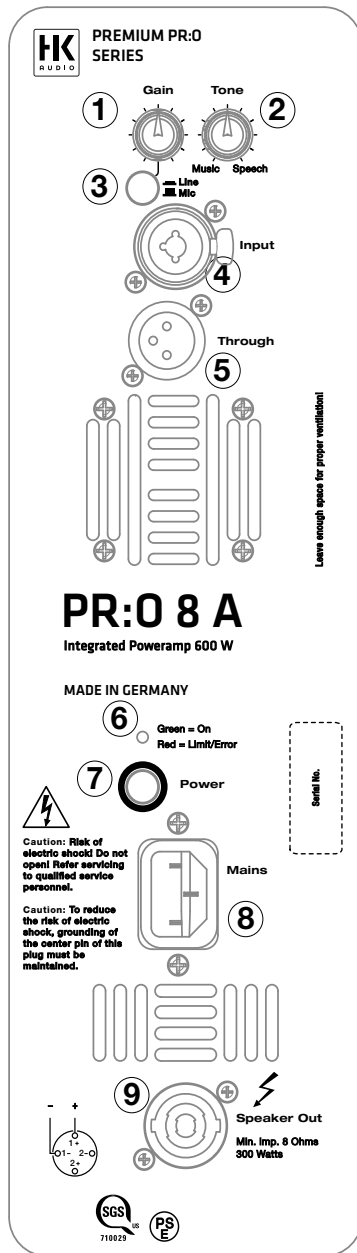
Technischer Service
Postfach 1509
66595 St. Wendel, Alemania
Fax: +49 6851 905 100

Índice

1	PR:0 8 A, PR:0 10 XA, PR:0 12 A, PR:0 12 MA, PR:0 15 A, PR:0 15 XA	28
1.1	Elementos de mando	28
1.2	Conexiones y cableado	28
1.3	Puesta en servicio	28
1.4	Ajustes	29
1.5	Orientación	29
2	PR:0 18 Sub A, PR:0 210 Sub A	30
2.1	Elementos de mando	30
2.2	Conexiones y cableado	30
2.3	Puesta en servicio	30
2.4	Ajustes	31
3	Consejos y recomendaciones	31
4	Solución de problemas	31

1 PR:O 8 A, PR:O 10 XA, PR:O 12 A, PR:O 12MA, PR:O 15 A, PR:O 15 XA

1.1 Elementos de mando



1 Gain (Regulador de ganancias)

Con este regulador se adapta el nivel de entrada.

2 Tone (no disponible en PR:O 12 MA)

Con el regulador de sonido puede optimizar su altavoz activo para aplicaciones de música o de voz. Al respecto se utiliza un filtrado especial, que adapta la respuesta en frecuencia a las condiciones correspondientes. Aconsejamos según la acústica de la sala y emplazamiento de que localice la posición óptima con una señal

de música completa y micrófono, girando el regulador. El ámbito „Speech“ avanza las voces, el ámbito „Music“ proporciona un sonido con un efecto de redondez y voluminosidad mayor (más bajo, menos frecuencias de centro)

El regulador de tonos permite optimizar los altavoces en función de la música y la voz. Para ello se utiliza un filtrado especial que adapta la respuesta de frecuencia a los requisitos actuales. Al girar el regulador de tonos, el sonido de la música o la voz se optimiza aumentando o reduciendo el filtro de paso de banda con una frecuencia central de 1500 Hz (2500 Hz - PR:O 10 XA, 2600 Hz - PR:O 8 A) - subida máx. 2 dB; bajada máx 2 dB). Al mismo tiempo, los graves suben o bajan en consecuencia hasta una máximo de 2 dB. Una conexión de corrección se encarga de corregir también el volumen total en consecuencia (sensación auditiva). En la posición central el filtro queda neutralizado.

3 Interruptor Mic/Line (excepto PR:O 12 MA)

En caso de conectar una señal de micrófono, ajuste la sensibilidad a MIC mediante el interruptor Line/Mic. De esta forma la sensibilidad de entrada aumentará 30 dB y la entrada de las señales del micrófono mejorará.

4 Input

Conector hembra de entrada combin. XLR/ 1/4" simetrizado electrónicamente para la señal de la mesa de mezclas (pin 1= Masa, 2= +, 3= -).

5 Through

Salida paralela para transmisión de la señal Line, p.ej. a otros monitores u otros altavoces activos PREMIUM PR:O.

6 LED de estado de limitador

El LED bicolor muestra el estado de la señal (Verde = Señal, Rojo = Límite). Los picos de señales provocados por un volumen muy alto se indican con una luz roja.

¡ATENCIÓN! Éste no es un LED Clip. Este LED debe iluminarse en rojo y volverse a apagar brevemente, puesto que ésta es la única señal de que el limitador RMS está en funcionamiento. Si el LED de señal ilumina siempre en rojo al producirse un pico de señal, compruebe el nivel de entrada de la fuente de señales y baje el regulador de volumen (Gain) en el altavoz. Si el LED de señal está iluminado en rojo permanentemente, ello indica un error.

7 Interruptor de encendido (power)

Interruptor de conexión y desconexión del altavoz activo PREMIUM PR:O. Cuando está conectado, el LED de señal se ilumina en color verde.

Nota: El interruptor de encendido está empotrado parcialmente como medida de protección contra el accionamiento involuntario. En el modo de encendido (Power On) el interruptor está casi a ras con la placa de conexión, de forma que queda protegido

contra el accionamiento involuntario, pero sin dificultar su operación.

8 Mains Input

Conecte este conector hembra por medio de un cable para aparatos de bajo consumo (incluido en el volumen de suministro) con la caja tomacorriente de red.

Nota: Todos los altavoces activos PREMIUM PR:O están equipados con conectores hembra de entrada de red V-Lock bloqueables. En combinación con un cable de conexión bloqueable (VOLEX o similar, suministrable como opción), el cable de red puede bloquearse y se evita de este modo que pueda salirse involuntariamente.

9 Parallel Speaker Out

Esta salida Speakon NL4 permite conectar otro altavoz PREMIUM PR:O pasivo y también un altavoz pasivo de otra marca. Tenga en cuenta que es obligatorio respetar los datos referentes a la impedancia (máx. 1 altavoz con impedancia mínima 8 Ohmios) . La etapa final da un máximo de 300 Vatios en esta conexión.

1.2 Conexiones y cableado

Conecte el cable de conexión de la mesa de mezclas (Monitor Out, Line Out o similar) al conector hembra de entrada simetrizado con un cable de micrófono XLR. La asignación de los conectores XLR debe ser la siguiente: 1= Masa, 2= +, 3= -

Para conectar un micrófono directamente al altavoz activo PREMIUM PR:O sin una mesa de mezclas, utilice el conector hembra de entrada simetrizado y ajuste la sensibilidad de entrada a Mic. Utilice para ello un cable de micrófono XLR. La asignación de los conectores XLR debe ser la siguiente: 1= Masa, 2= +, 3= -

1.3 Puesta en servicio

- Compruebe que el altavoz activo esté desconectado.

¡ATENCIÓN! Preste atención a que la tensión indicada para el altavoz activo PREMIUM PR:O se corresponda con la tensión de la red. Si se conecta a una tensión de red incorrecta, los componentes eléctricos del altavoz activo PREMIUM PR:O podrían resultar dañados.

- Gire el regulador de ganancias (Gain Line/Mic) al máximo hacia la izquierda en caso de conexión de una señal Line

Preste atención a que el resto de componentes conectados se hayan puesto en marcha previamente. Tanto la mesa de mezclas conectada como también todas las fuentes de señal conectadas a él, como teclados,

amplificadores de instrumental, efectos, etc. deben estar conectados. Ahora, compruebe que el interruptor Mic/Line del altavoz activo PREMIUM PR:0 esté ajustado correctamente (por defecto = Line).

El altavoz activo PREMIUM PR:0 debe conectarse siempre en último lugar, es decir, después del resto de componentes, y debe desconectarse en primer lugar, es decir, antes que el resto de aparatos conectados.

- Después de conectar el interruptor de encendido el ventilador se activa brevemente (comprobación del sistema) y se apaga aproximadamente tras 5 segundos. El ventilador está controlado por temperatura. Se pone en funcionamiento con volúmenes de sonido muy altos y realiza una autorregulación dependiente de la temperatura.
- Después de conectar interruptor de encendido se ilumina el LED de encendido verde (Power) al llegarle tensión.
- Gire el regulador In line de ganancia hasta el centro (= 0 dBV). En caso de utilizar una mesa de mezclas para controlar el altavoz activo PREMIUM PR:0, debería utilizarse este ajuste de nivel. Si conecta directamente un reproductor de CD o p.ej. un teclado, dependiendo de la potencia de la señal podrá girar el regulador de ganancias al máximo a la derecha para poner el volumen al máximo. Si la señal de entrada es demasiado débil, aumente el volumen de la fuente de señales (p.ej. regulador del reproductor MP3).

En caso necesario, vuelva a girar el regulador de ganancia del altavoz activo PREMIUM PR:0 al máximo hacia la izquierda y a continuación pulse el interruptor Mic/Line. Con esta operación la señal de entrada aumentará a 30 dB. Acto seguido, ajuste la sensibilidad de entrada girando lentamente hacia la derecha hasta alcanzar el volumen deseado. Para obtener el mejor resultado posible, el LED del limitador (rojo) no se debería iluminar de forma permanente.

1.4 Ajustes

Adaptación del volumen con el regulador de ganancia

Utilice este regulador y pulse el interruptor Mic/Line para ajustar la señal de entrada Line o del micrófono.

Si se producen distorsiones o sobremodulaciones, compruebe las fuentes de señal y reduzca allí la señal de salida en la medida de lo posible. Si no pudiera modificar la señal de entrada al altavoz activo PREMIUM PR:0 con este procedimiento, ajústela con el regulador de ganancia Line In de las etapas finales.

Tone (no disponible en PR:0 12 MA)

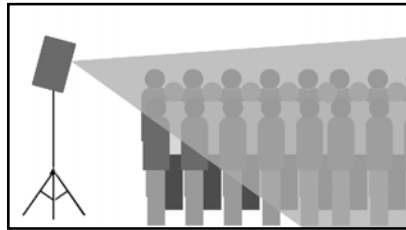
El sonido se puede modificar girando a la derecha o la izquierda desde la posición central. En la posición „Music“ se reducen ligeramente los tonos medios y al mismo tiempo se aumenta

la zona de graves (directo o señal de CD). En la posición „Speech“ se aumenta la claridad de la voz. El volumen general se corrige automáticamente en todas las posiciones.

1.5 Orientación

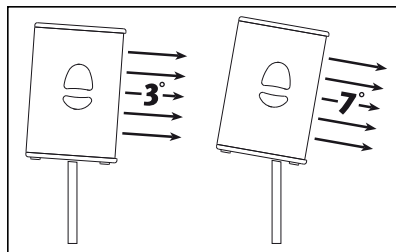
HK Audio DuoTilt™

(no disponible en PR:0 12 MA; En el PR:0 8 A hay integrado un HK Audio MonoTilt™ con un ángulo de inclinación de 3°.)



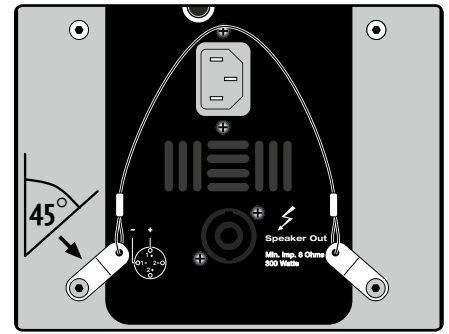
El HK Audio DuoTilt™ 3/7 permite ajustar el altavoz activo PREMIUM PR:0 horizontalmente. De esta forma se pueden evitar o reducir las reflexiones perturbadoras en el techo. La apertura delantera del HK Audio DuoTilt™ se obtiene una inclinación de 3° y con la trasera de 7°.

Si el altavoz activo PREMIUM PR:0 está montado en un trípode o una barra de soporte completamente desplegada, se deberá utilizar el ángulo de 7°. Este ajuste es apto especialmente para situaciones con poco público que está muy cerca de los altavoces. Si hay más público y se encuentra más alejado de los altavoces, el ángulo de 3° del HK Audio DuoTilt™ resultará más apropiado.



Cable Curving (sólo en el PR:0 8 A)

Para la orientación vertical de PR:0 8 A (por ejemplo, para la instalación fija o montaje en un travesaño) se adjunta un cable Curving, que puede integrarse en el módulo electrónico simplemente atornillando con los tornillos de fijación inferiores.



Montaje:

el cable Curving se fija en la parte trasera del PR:0 8 A. Éste permite una orientación precisa del PR:0 8 A durante el funcionamiento suspendido.

- Destornillar los dos tornillos inferiores de la placa de conexión.
- Coloque las arandelas en los dos agujeros.
- Seguidamente tome las dos placas fijadas en el cable Curving y atornillelas en ángulo de 45° (véase el dibujo) en la caja.

Nota: las placas tienen que estar orientadas en un ángulo de 45°, de lo contrario no está garantizado un funcionamiento seguro.

- A continuación, apriete los tornillos.

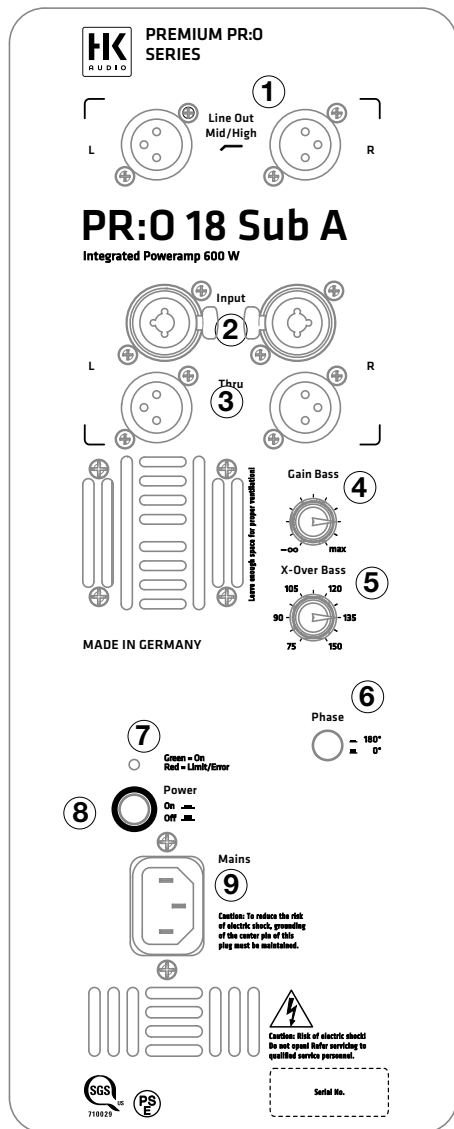
El kit del cable consta de:

- 2 arandelas
- 2 tornillos con cabeza avellanada gota de sebo 5x25 hexágono interior
- 1 cable con placas de montaje

Atención: el cable Curving sirve exclusivamente para angular la caja y no es un punto de suspensión.

2 PR:O 18 Sub A, PR:O 210 Sub A

2.1 Elementos de mando



1 Out L / Out R (Line Out Mid / High)

Dos salidas XLR simetrizado electrónicamente para la conexión de Unidades elevadas PREMIUM PR:O (pin 1= Masa, 2= +, 3= -).

2 Input L / Input R

Dos conectores hembra de entrada combin. XLR / 1/4" simetrizado electrónicamente para la señal de la mesa de mezclas (pin 1= Masa, 2= +, 3= -).

3 Through L / Through R

Dos salidas Line paralelas para transmitir la señal Line p.ej. a otros altavoces activos PREMIUM PR:O o monitores (pin 1= masa, 2= +, 3= -).

4 Gain Bass

Este regulador permite ajustar el nivel de entrada (posición central = 0 dBV).

Para el funcionamiento con un altavoz activo PREMIUM PR:O activo, la posición central es el punto de partida ideal. La proporción de bajos se puede aumentar o reducir según necesidad girando el regulador. En combinación con las unidades elevadas PREMIUM PR:O, el regulador de ganancia se ajusta en la reticulación central. Desde ahí se puede aumentar o reducir en función de la situación de emisión acústica.

5 X-Over-Bass

Con el diplexor activo puede variarse la frecuencia límite superior del subwoofer de 75 Hz - 150 Hz. Debido a que la posición óptima puede variar en función del lugar y el uso de unidades elevadas, se recomienda no utilizar un valor fijo.

Nota: Por encima de 110 Hz los bajos transmiten más partes de señales, p.ej. de voces graves y otras fuentes de sonido. Por debajo de 110 Hz se transmiten principalmente las señales completas, p.ej. de los bajos, tambores de bajos y teclados muy graves.

6 Phase

El interruptor de fases permite ajustar los subbajos a la posición de fase de la unidad elevada conectada (0° - 180°). Para el funcionamiento con unidades elevadas PREMIUM PR:O el interruptor del PR:O 18 Sub A se ajusta a 0°. En el PR:O 210 Sub A, la fase tiene que girarse 180° para que la parte superior PREMIUM PR:O y el subwoofer estén en fase.

Para el funcionamiento con otros altavoces en algunos casos es necesario girar 180°. Si no está seguro del ajuste, realice varias pruebas.

Si el sonido de los bajos cambia y tiene un efecto sin presión e indiferenciado, ello significa que la fase está mal ajustada.

7 LED de estado de limitador

El LED bicolor muestra el estado de la señal (Verde = Señal, Rojo = Limite). Los picos de señales provocados por un volumen muy alto se señalan con una luz roja.

¡ATENCIÓN! Éste no es un LED Clip. Este LED debe iluminarse en rojo y volverse a apagar brevemente, puesto que ésta es la única señal de que el limitador está en pleno funcionamiento. Compruebe el nivel de entrada de la fuente de señales y baje el regulador de volumen (ganancia) de su altavoz. Si el LED de señal está iluminado en rojo permanentemente, ello indica un error.

8 Interruptor de encendido (power)

Interruptor de conexión y desconexión del altavoz activo PREMIUM PR:O. Cuando está conectado, el LED de señal se ilumina en color verde.

Nota: El interruptor de encendido está empotrado parcialmente como medida de protección contra el accionamiento involuntario. En el modo de encendido (POWER ON) el interruptor está casi a ras con la placa de conexión, de forma que queda protegido

contra el accionamiento involuntario, pero sin dificultar su operación.

9 Mains Input

Conecte este conector hembra por medio de un cable para aparatos de bajo consumo (incluido en el volumen de suministro) con la caja tomacorriente de red.

Nota: Todos los altavoces activos PREMIUM PR:O están equipados con conectores hembra de entrada de red V-Lock bloqueables. En combinación con un cable de conexión bloqueable (VOLEX o similar, suministrable como opción), el cable de red puede bloquearse y se evita de este modo que pueda salirse involuntariamente.

2.2 Conexiones y cableado

Conecte el cable de conexión de la mesa de mezclas (Monitor Out, Line Out o similar) al conector hembra de entrada simetrizado con un cable de micrófono XLR. Conecte la unidad elevada activa mediante las salidas XLR del „X-Over-Out“. Utilice los dos conectores hembra Through para transmitir la señal de gama completa a otros altavoces. La asignación de los conectores XLR debe ser la siguiente: 1= masa (ground), 2= +, 3= -.

2.3 Puesta en servicio

- Compruebe que el altavoz activo esté desconectado.

¡ATENCIÓN! Preste atención a que la tensión indicada en la parte posterior del altavoz activo PREMIUM PR:O se corresponda con la tensión de la red. Si se conecta a una tensión de red incorrecta, los componentes eléctricos del altavoz activo PREMIUM PR:O podrían resultar dañados.

- Gire el regulador de ganancias hacia (máximo izquierda).

Compruebe que el resto de componentes conectados (p.ej: mesa de mezclas) se hayan puesto en funcionamiento previamente. Tanto la mesa de mezclas conectada como también todas las fuentes de señal conectadas a él, como teclados, amplificadores de instrumental, efectos, etc. deben estar conectados. Los altavoces activos PREMIUM PR:O deberán conectarse siempre a la entrada Xover y ponerse en marcha después del resto de componentes. Para apagarlos, cierre primero el altavoz (gire la ganancia hacia la izquierda) y desconéctelo antes que ningún otro aparato.

Después de conectarlo con el interruptor de encendido el ventilador se activa brevemente (comprobación del sistema) y se apaga aproximadamente tras 5 segundos. El control

del ventilador depende de la temperatura: únicamente se pone en marcha si el volumen es muy elevado y se regula en función de la temperatura.

El LED de encendido se ilumina en color verde cuando hay tensión.

Gire el regulador In line de ganancia hasta el centro (= 0 dBV). En caso de utilizar una mesa de mezclas para controlar los altavoces activos PREMIUM PR:O, debería utilizarse este ajuste de nivel. De ser necesario, el nivel de entrada se puede aumentar 6 dB con el regulador de ganancias. Para obtener el mejor resultado posible, el LED del limitador (rojo) no se debería iluminar de forma permanente.

2.4 Ajustes

Adaptación del volumen con el regulador de ganancia

Utilice este regulador para ajustar la entrada de las señales Line y de micrófono.

Si se producen distorsiones o sobremodulaciones, compruebe las fuentes de señal y reduzca allí la señal de salida en la medida de lo posible. Si no pudiera modificar la señal de entrada al altavoz activo PREMIUM PR:O con este procedimiento, ajústela con el regulador de ganancia (reducción del nivel de entrada).

3 Consejos y recomendaciones

- 1 ¡Impida que pueda penetrar humedad en el sistema electrónico! Al utilizar al aire libre, asegúrese de que su sistema se instale protegido de la lluvia. No deje que los refrescos, la cerveza u otros líquidos entren en el sistema electrónico, puesto que podrían provocar un cortocircuito.
- 2 Los altavoces activos PREMIUM PR:O se encargan de ofrecer un sonido óptimo - ¡usted el responsable de que la señal de entrada también lo sea! El resultado de un cable defectuoso, incorrecto o señales de entrada asimétricas en la mesa de mezclas será en la mayoría de los casos un zumbido. Compruebe todos los cables de señal y de red.
- 3 ¡Evite las distorsiones de sonido! No sólo son desagradables para los oídos de los oyentes, también son peligrosas para su instalación. Preste atención a que todos los componentes conectados de forma directa o indirecta a los altavoces activos PREMIUM PR:O dispongan de suficiente potencia y que no emitan distorsiones de sonido por estar funcionando a su límite. Encárguese de que la señal de audio sea buena.
- 4 ¡Evite los zumbidos! También pese a que la transmisión simétrica de señales puede generar un zumbido desagradable dentro de un sistema de audio, por ejemplo si la mesa de mezclas está conectada a tierra a través del cable de alimentación y no se encuentra en el mismo circuito eléctrico que los altavoces activos PREMIUM PR:O. La generación de una doble conexión a masa puede provocar un „zumbido“. Por este motivo, asegúrese siempre de que los altavoces activos PREMIUM PR:O y la mesa de mezclas estén conectados al mismo circuito eléctrico (¡misma fase!).

¡ATENCIÓN! No separe nunca la masa del conector -(¡Peligro de muerte!)

4 Solución de problemas

El interruptor de red no se ilumina al encender el equipo.

- Compruebe si el cable de alimentación está conectado a la toma Mains Input.
- Cerciórese de que la red suministra tensión eléctrica.

El interruptor de encendido se ilumina en rojo (destella)

- El limitador está en marcha; si fuera necesario, reduzca el nivel de entrada.

El interruptor de encendido permanece iluminado en rojo y no se oye nada en el altavoz.

- Se ha activado el circuito protector del altavoz. Póngase en contacto con su distribuidor.

La reproducción musical parece estar distorsionada.

- Compruebe los indicadores LED de la mesa de mezclas. No deberían estar siempre en la zona roja. Si fuera necesario, baje el volumen en la mesa de mezclas.
- Si los indicadores LED de la mesa de mezclas están en el área verde, baje el nivel del regulador de ganancia Line In del altavoz activo PREMIUM PR:O.
- Observe los indicadores LED del limitador en el panel de operación del altavoz activo PREMIUM PR:O. Únicamente deberían iluminarse brevemente. En ningún caso deberán permanecer iluminados de forma permanente. Si ello ocurre, baje el regulador de ganancia correspondien

PREMIUM PR:0 SERIES

Self-powered cabinets

Technical specifications	PR:0 8 A	PR:0 18 Sub A	PR:0 210 Sub A
Frequency response +/- 3 dB:	89 Hz - 19 kHz	48 Hz - fx	60 Hz - fx
Frequency response -10 dB:	63 Hz - 19 kHz	38 Hz - fx	40 Hz - fx
Max SPL (Half Space):	118 dB	125 dB	123 dB
Loudspeakers:			
Bass / midrange woofer	8"	18"	2x 10"
High-frequency driver	1"	-	-
HF protection (passive):	Dyn. protective circuit	Dyn. protective circuit	Dyn. prot. circuit
Horn directivity:	80° x 80 CD horn	-	-
Power amps:	1x 600 W, Class D - 4 ohms	1x 600 W, Class D - 4 ohms	1x 600 W, Class D - 4 ohms
Limiters:			
RMS Limiter	yes	no	no
Peak Limiter	yes	no	no
Subsonic Filter:	35 Hz	35 Hz	35 Hz
Cutoff frequency of the active crossover (12 dB/ octave)	-	75 - 150 Hz variable	75 - 150 Hz variable
EQ:	Tone knob	-	-
Connectors:			
Line/Mic combi jack balanced:	1x combi XLR/1/4"	2x combi XLR/1/4"	2x combi XLR/1/4"
Through, balanced:	1x XLR Through	2x XLR Through	2x XLR Through
Out, balanced:	-	2x XLR L/R Out Mid/High	2x XLR L/R Out Mid/High
Parallel Speaker Out*	1x Speakon	-	-
Pole mount:	MonoTilt™	M20 threaded base plate	2x M20 thread. base plate
Rigging points:	2x M8	-	-
Weight:	11 kg / 24.3 lbs	39.8 kg / 87.8 lbs	27.2 kg / 55 lbs
Dimensions (WxHxD)	27 x 42 x 27 cm	53 x 61 x 64 cm	36 x 61 x 53 cm

*) Min impedance 8 ohm/300 W



HK Audio® • Postfach 1509 • 66595 St. Wendel • Germany • info@hkaudio.com • www.hkaudio.com
International Inquiries: fax +49-68 51-905 215 • international@hkaudio.com

Subject to change without notice • Technische Änderungen vorbehalten
Copyrights 2019 Music & Sales GmbH • 06/2019