

PULSAR

PL 110 FA • PL 112 FA • PL 115 FA • PL 118 Sub A

Manual 1.3

Important Safety Instructions! Read before connecting!

This product has been built by the manufacturer in accordance with IEC 60065 and left the factory in safe working order. To maintain this condition and ensure non-risk operation, the user must follow the advice and warning comments found in the operating instructions. If this product shall be used in vehicles, ships or aircraft or at altitudes exceeding 2000 m above sea level, take care of the relevant safety regulations which may exceed the IEC 60065 requirements.

WARNING: To prevent the risk of fire and shock hazard, do not expose this appliance to moisture or rain. Do not open case – no user serviceable parts inside. Refer service to qualified service personnel.



This symbol, wherever it appears, alerts you to the presence of uninsulated dangerous voltage inside the enclosure – voltage that may be sufficient to constitute a risk of shock.



This symbol, wherever it appears, alerts you to the presence of externally accessible hazardous voltage. External wiring connected to any terminal marked with this symbol must be a "ready made cable" complying with the manufacturers recommendations, or must be a wiring installed by instructed persons only.



This symbol, wherever it appears, alerts you to important operating and maintenance instructions in the accompanying literature. Read the manual.



This symbol, wherever it appears, tells you: Take care! Hot surface! To prevent burns you must not touch.

- Read these instructions.
- Keep these instructions.
- Follow all warnings and instructions marked on the product and in this manual.
- Do not use this product near water. Do not place the product near water, baths, wash basins, kitchen sinks, wet areas, swimming pools or damp rooms.
- Do not place objects containing liquid on the product – vases, glasses, bottles etc.
- Clean only with dry cloth.
- Do not remove any covers or sections of the housing.
- The set operating voltage of the product must match the local mains supply voltage. If you are not sure of the type of power available consult your dealer or local power company.
- Before connecting the device, please ensure that the mains supply you are using is equipped with adequate protection against short circuiting and grounding faults when the device is plugged in.
- To reduce the risk of electrical shock, the grounding of this product must be maintained. Use only the power supply cord provided with this product, and maintain the function of the center (grounding) pin of the mains connection at any time. Make sure the mains outlet used provides a proper protective ground connection.
- Do not defeat the safety purpose of the polarized or grounding-type plug. A polarized plug has two blades with one wider than the other. A grounding type plug has two blades and a third grounding prong. The wide blade or the third prong are provided for your safety. If the provided plug does not fit into your outlet, consult an electrician for replacement of the obsolete outlet.
- Protect the power cord from being walked on or pinched particularly at plugs, convenience receptacles, and the point where they exit from the device! Power supply cords should always be handled carefully. Periodically check cords for cuts or sign of stress, especially at the plug and the point where the cord exits the device.
- Never use a damaged power cord.
- Unplug this product during lightning storms or when unused for long periods of time.
- This product can be fully disconnected from mains only by pulling the mains plug at the unit or the wall socket. The product must be placed in such a way at any time, that disconnecting from mains is easily possible.
- Fuses: Replace with IEC127 (5x20mm) type and rated fuse for best performance only! It is prohibited to use "patched fuses" or to short the fuse-holder. Replacing any kind of fuses must only be carried out by qualified service personal.

- Refer all servicing to qualified service personnel. Servicing is required when the unit has been damaged in any way, such as:
 - When the power cord or plug is damaged or frayed.
 - If liquid has been spilled or objects have fallen into the product.
 - If the product has been exposed to rain or moisture.
 - If the product does not operate normally when the operating instructions are followed.
 - If the product has been dropped or the cabinet has been damaged.
- Do not connect external speakers to this product with an impedance lower than the rated impedance given on the product or in this manual. Use only cables with sufficient cross section according to the local safety regulations.
- Keep away from direct sunlight.
- Do not install near heat sources such as radiators, heat registers, stoves or other devices that produce heat.
- Do not block any ventilation openings. Install in accordance with manufacturer's instructions. This product must not be placed in a built-in installation such as a rack unless proper ventilation is provided.
- Always allow a cold device to warm up to ambient temperature, when being moved into a room. Condensation can form inside it and damage the product, when being used without warming up.
- Do not place naked flame sources, such as lighted candles on the product.
- The device must be positioned at least 20 cm/8" away from walls.
- Use only with the cart, stand, tripod, bracket or table specified by the manufacturer or sold with the product. When a cart is used, use caution when moving the cart/product combination to avoid injury from tip-over.
- Use only accessories recommended by the manufacturer, this applies for all kind of accessories, for example protective covers, transport bags, stands, wall or ceiling mounting equipment. In case of attaching any kind of accessories to the product, always follow the instructions for use, provided by the manufacturer. Never use fixing points on the product other than specified by the manufacturer.
- This appliance is NOT suitable to be used by any person or persons (including children) with limited physical, sensorical or mental ability, or by persons with insufficient experience and/or knowledge to operate such an appliance. Children under 4 years of age must be kept away from this appliance at all times.
- Never push objects of any kind into this product through cabinet slots as they may touch dangerous voltage points or short out parts that could result in risk of fire or electric shock.
- This product is capable of delivering sound pressure levels in excess of 90 dB, which may cause permanent hearing damage! Exposure to extremely high noise levels may cause a permanent hearing loss. Wear hearing protection if continuously exposed to such high levels.
- The manufacturer only guarantees the safety, reliability and efficiency of this product if:
 - Assembly, extension, re-adjustment, modifications or repairs are carried out by the manufacturer or by persons authorized to do so.
 - The electrical installation of the relevant area complies with the requirements of IEC (ANSI) specifications.
 - The unit is used in accordance with the operating instructions.
- This product is optimized for use with music and speech signals. Using this product with sine wave, square wave or other kind of measuring signals at higher level may lead to severe damage of the product.

General Notes on Safety for Loudspeaker Systems



Mounting systems may only be used for those loudspeaker systems authorized by the manufacturer and only with the mounting accessories specified by the manufacturer in the installation instructions. Read and heed the manufacturer's installation instructions. The indicated load-bearing capacity cannot be guaranteed and the manufacturer will not be liable for damages in the event of improper installation or the use of unauthorized mounting accessories.

The system's load-bearing capacity cannot be guaranteed and the manufacturer will not be liable for damages in the event that loudspeakers, mounting accessories, and connecting and attaching components are modified in any way.

Components affecting safety may only be repaired by the manufacturer or authorized agents, otherwise the operating permit will be voided.



Installation may be performed qualified personnel only, and then only at pick-points with sufficient load-carrying capacity and in compliance with local building regulations. Use only the mounting hardware specified by the manufacturer in the installation instructions (screws, anchors, etc.). Take all the precautions necessary to ensure bolted connections and other threaded locking devices will not loosen.



Fixed and portable installations (in this case, speakers and mounting accessories) must be secured by two independent safeties to prevent them from falling. Safeties must be able to catch accessories or parts that are loose or may become loose. Ensure compliance with the given national regulations when using connecting, attaching, and rigging devices. Factor potential dynamic forces (jerk) into the equation when determining the proper size and load-bearing capacity of safeties.



Be sure to observe speaker stands' maximum load-bearing capacity. Note that for reasons of design and construction, most speaker stands are approved to bear centric loads only; that is, the speakers' mass has to be precisely centered and balanced. Ensure speaker stands are set up stably and securely. Take appropriate added measures to secure speaker stands, for example when:

- the floor or ground surface does not provide a stable, secure base.
- they are extended to heights that impede stability.
- high wind pressure may be expected.
- there is the risk that they may be knocked over by people.

Special measures may become necessary as precautions against unsafe audience behavior. Do not set up speaker stands in evacuation routes and emergency exits. Ensure corridors are wide enough and put proper barriers and markings in place when setting speaker stands up in passageways. Mounting and dismounting are especially hazardous tasks. Use aids suitable for this purpose. Observe the given national regulations when doing so.



Wear proper protection (in particular, a helmet, gloves, and safety shoes) and use only suitable means of ascent (ladders, scaffolds, etc.) during installation. Compliance with this requirement is the sole responsibility of the company performing the installation.



WARNING!

After installation, inspect the system comprised of the mounting fixtures and loudspeakers to ensure it is properly secured. The operator of loudspeaker systems (fixed or portable) must regularly inspect or task a third party to regularly inspect all system components in accordance with the given country's regulations and have possible defects repaired immediately. We also strongly recommend maintaining a logbook or the like to document all inspections.

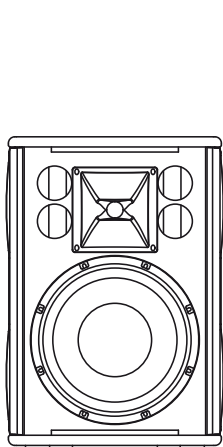
When installing speakers for longer lasting or permanent outdoor operation, be sure to take into account the stability and load-bearing capacity of platforms and surfaces; loads and forces exerted by wind, snow, and ice; as well as thermal influences. Also be sure to provide sufficient safety margins for the rigging points used for flown systems. Observe the given national regulations when doing so.

- Ask the manufacturer if your product is allowed for outdoor usage!

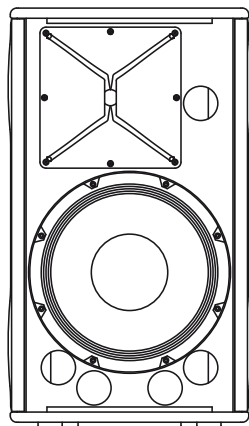


Professional loudspeaker systems can produce harmful volume levels. Even prolonged exposure to seemingly harmless levels (starting at about 95 dBA SPL) can cause permanent hearing damage! Therefore we recommend that everyone who is exposed to high volume levels produced by loudspeaker systems wears professional hearing protection (earplugs or earmuffs).
Manufacturer: Stamer Musikanlagen GmbH, Magdeburger Str. 8, 66606 St. Wendel, Germany

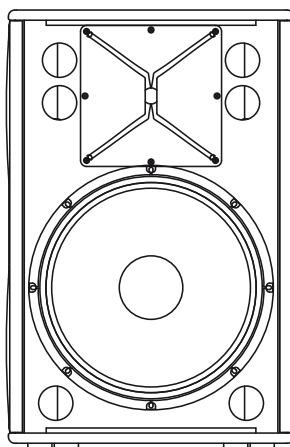
PULSAR



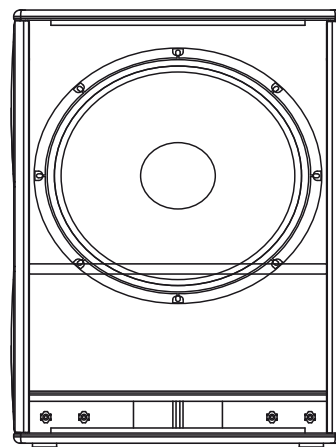
PL 110 FA



PL 112 FA



PL 115 FA



PL 118 Sub A

Welcome to the HK Audio family!

Thank you for choosing a brand-name product made by our company. Rest assured, we engineered and built it with the greatest care so it will serve you well for many tomorrows to come.

Even if your experience with sound systems runs deep, some things about this product are sure to be new to you. This is why we ask that you do not set this manual aside without reading it first. Be sure to keep it in a safe place for later reference.

Here's wishing you the best sound at every occasion!

Your HK Audio team

Warranty

Register each powered PULSAR speaker separately to extend your warranty to five years free of charge! Use the convenient online registration option at www.hkaudio.com.

If you are unable to register online, please fill out the enclosed warranty card, ensuring all information is legible and complete, and mail or fax it to us.

The registration is only valid if the warranty registration card is filled out and returned to HK AUDIO or the device is registered via Internet within 30 days of the date of purchase.

We are also interested in learning where and by whom our devices are used. This information will help us design future products. Your data are of course protected by German privacy laws.

Thank you!

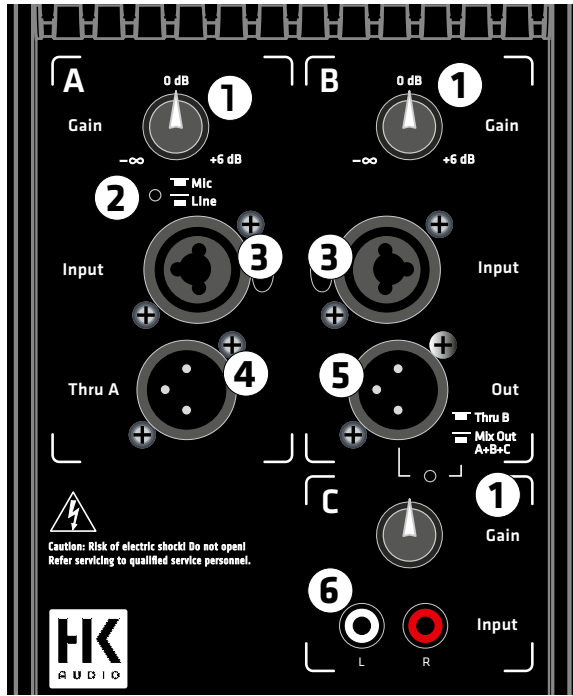
HK AUDIO

Technischer Service
Postfach 1509
66959 St. Wendel, Germany
Fax: +49 6851 905 100

1 PL 110 FA / PL 112 FA / PL 115 FA

Every powered PULSAR mid/ high unit features three input channels (A, B, C). They may be operated in parallel and adjusted separately.

1.1 Control Features



1 Gain

Use these controls to adjust the input levels of Inputs A, B and C.

2 Mic/Line switch (Channel A only)

Set this button to Mic when connecting a microphone. This boosts the gain level 30 dB to adjust the input for microphones.

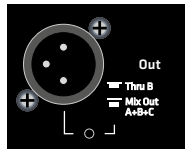
3 Input A/B

This electronically balanced, combo XLR/ 1/4" (6.3 mm) jack accepts the input signal.

4 Thru A

Thru A is a parallel, balanced XLR output that routes input signals from Input A through to another destination, for example, a powered monitor.

5 Out (Thru B / Mix Out)



Channel B Out is a balanced XLR output that serves the following two purposes:

Button set to Thru B:

Out is configured as a parallel output used exclusively to route input signals from Input B, for instance, to a powered monitor.

Button set to Mix Out A+B+C:

In Mix Out mode, this output routes out a summed composite of input signals A, B and C. You can adjust individual signals within this mix using the respective Gain knobs.

6 Input (Channel C)

These RCA jacks accept a stereo input signal. The left and right channels are summed to mono.

7 Status LED

The dual-color LED indicates the status of the powered PULSAR speaker (green = power on, red = error).

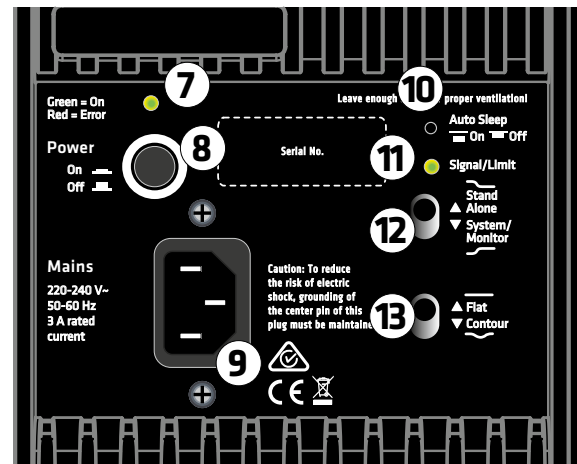
8 Power

This on/off button powers the PULSAR speaker up and down. The status LED lights up green when power is on.

9 Mains

Use the factory-included IEC power cord to connect this socket to a wall outlet.

Heads up! Around 0.5 watts of power are consumed when the unit is off.
Note: A powered PULSAR mid/ high unit is equipped with a V-Lock mains socket. If you use a VOLEX locking power cord or another optionally available brand with the same design, you can fix the power cord in place to prevent accidental disconnection



10 Auto Sleep

PULSAR mid/ high units' Auto Sleep is defeatable; that is, it may be switched on and off. The built-in amp switches to standby mode (Consumption around 0.5 watts) when the button is set to On and the unit does not receive a signal for 180 minutes. To power the PULSAR enclosure back up again, simply set its Power button to Off for five seconds and then back to On. The mid/ high units will remain up and running if you disable Auto Sleep by setting this button to Off.

11 Signal / Limit

This dual-color LED remains off until the unit gets a signal. It lights up green to indicate incoming signals and red to indicate signal peaks.

Heads up! This is not a clip LED. It's okay if it lights up red briefly every now and then. This tells you that the limiters have engaged. If the LED always lights up red at peaks but no signal is audible, check the signal's input level and reduce the volume (gain) on your cabinet. If this LED lights up red continuously, an error has occurred.

12 Stand Alone / System/Monitor



This switch activates an EQ filter that voices the powered PULSAR speaker's frequency response to suit the given application. Set it to System Monitor when you want to use it in combination with a subwoofer or separately as a stage monitor. Setting the switch to Stand Alone extends the bass range to configure the PULSAR speaker's frequency response for use as a standalone, fullrange cabinet.

13 Flat / Contour



Setting this switch to Flat activates an EQ filter that conjures a linear frequency response, which is perfect for live performances. The Contour voicing takes the edge of the midrange frequencies to better throw highly compressed, mids-heavy signals over short distances.

1.2 Connecting Cords

Use a microphone cord equipped with XLR connectors or 1/4" (6.3 mm) jack plugs to send the signal from the audio source (monitor, line, or a similar output) to the balanced Inputs A and B, or connect two cords with RCA plugs to Inputs C. If you wish to connect a microphone directly to the powered PULSAR cabinet without going into a mixer first, plug it into the balanced Input A and set the Mic/ Line switch to Mic. Also use a balanced XLR/ 1/4" (6.3 mm) microphone cord to do this.

1.3 Operating the Speaker

- Ensure the PULSAR speaker's Power button is set to Off.

Caution! Always make sure the local mains voltage matches the voltage specified on the unit. You may destroy the powered speaker's electronic components if you connect it to the wrong mains voltage.

- Turn Gain knobs A, B and C all the way down, rotating them counterclockwise as far as they will go.
- Ensure all connected line sources are switched on before powering up. First switch on the connected mixer and all signal sources connected to it, for example, keyboards, amps, effects, and so forth. Then make sure the powered PULSAR speaker's Mic/Line button is set correctly (standard = Line). Always switch the powered PULSAR speaker on last; that is, after you switch on all connected devices, and always switch it off first; that is, before you switch off all connected devices.
- When you press the Power button, the fan will briefly start up (system check) and stop after about five seconds. The fan is temperature-controlled. It kicks on only at very high volume levels and runs according to the given temperature and load. The Status LED lights up red during the system check, and then green if there is no malfunction and the unit is getting mains power.

1.4 Settings

Adjusting volume levels with the gain knobs

Turn these knobs and press the Mic/Line button (Input A only) to adjust the level of incoming line and microphone signals. If you hear distortion or the signal sounds saturated, first check the signal sources and, if possible, reduce the output signal level there.

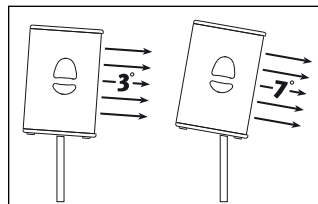
Turn the Gain knobs to the 12 o'clock position (0 dB /center-notched). This is the preferred setting if you are using a mixing console to address the powered PULSAR speaker. Twist the Gain knob clockwise if you have connected a CD player or a keyboard directly to the unit. Depending on the input signal level, you may want to turn it all the way to the far right to achieve maximum volume. Use Input C to connect portable music players directly to PULSAR mid/ high units.

Filter settings

Use the PULSAR mid/ high units' Stand Alone/ System Monitor and Flat/ Contour switches to choose the filters for the given application or to suit your preferences (see section 1.1).

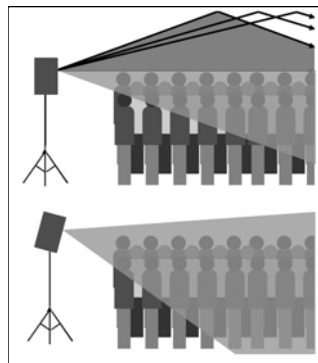
1.5 Alignment

HK Audio DuoTilt™ 3/7 (PL 110 FA / PL 112 FA / PL 115 FA)



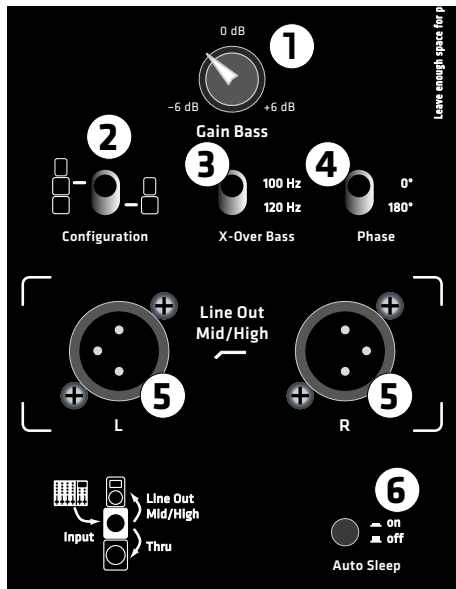
The HK Audio DuoTilt™ 3/7 aims powered PULSAR speakers up and down to prevent or minimize troublesome ceiling reflections. The front aperture of the HK Audio DuoTilt™ inclines the cabinet 3°, and the rear opening tilts it 7°.

Select the 7° option when setting powered PULSAR speakers on fully extended tripods or mounting poles. This angle gets the job done when you want to address fewer listeners standing very near the speakers. If you want to address an audience at a greater distance from the speakers, opt for the 3° angle on the DuoTilt™.



2 PL 118 Sub A

2.1 Control Features



1 Gain Bass

Use this knob to adjust the subwoofer's volume. When set to the 12 o'clock position, the subwoofer's volume is matched to the PULSAR powered mid/ high units' levels to achieve a balanced audio image with an evenhanded distribution of low and midrange frequencies. If you want to boost or cut the subwoofer's volume, simply turn the knob to the left or right (control range +/-6 dB).

2 Configuration

The Configuration switch voices the PL 118 Sub A for use with other PULSAR series products.



Set the switch to the position shown below to optimize the powered PULSAR sub for use with a powered PULSAR mid/ high unit.



Set the switch to the position shown below to operate two powered PULSAR subs with one powered PULSAR mid/ high unit. In this setting, the levels of the two Line Out Mid/High outputs are boosted by up to 6 dB to bring up the one mid/ high unit's volume level to that of two powered PULSAR subs, thereby achieving a balanced audio image.

3 X-Over Bass

The X-Over switch lets you set the upper corner frequency of the PL 118 Sub A's onboard x-over to either 100 Hz or 120 Hz. Your choice of setting will depend on the conditions in the venue and the type of audio signal.

4 Phase

The Phase switch matches the PL 118 Sub A's phase position to that of connected mid/ high units (0°/180°). Always set it to 0° when operating the subwoofer with PULSAR mid/ high units. You may have to invert the phase 180° to operate it with other speakers.

5 Line Out Mid/High L/R

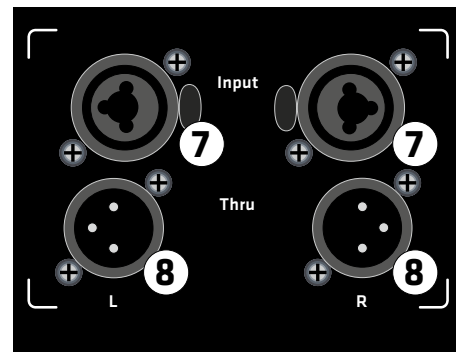
Use these two electronically balanced XLR outputs to connect powered PULSAR mid/ high units.

6 Auto Sleep

The PULSAR subwoofer's Auto Sleep is defeatable; that is, it may be switched on and off. The built-in amp switches to standby mode (Consumption around 0.5 watts) when the button is set to „On“ and the unit does not receive a signal for 180 minutes. To power the PULSAR subwoofer back up again, simply set its Power button to „Off“ for five seconds and then back to On. The subwoofer will remain up and running if you disable Auto Sleep by setting this button to „Off“.

7 Input L/R

This electronically balanced, combination XLR/ 1/4" (6.3 mm) input accepts audio signals.



8 Thru L/R

This parallel output routes Input L/R's incoming signal through and back out.

9 Status LED

This LED lights up green when the Power button is set to On and the unit is getting mains power.

This LED lights up red when the power amp's input signal is too high or a fault has been detected. The LED briefly flashes red to tell you the limiters are responding to signal peaks.

Heads up! If the Limit LED stays red while the unit is up and running, it is being overloaded. Turn down the signal level! If you are not routing a signal in and the Limit LED stays red, the system has detected a fault.

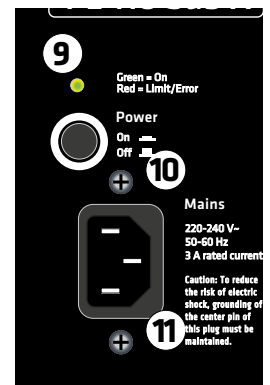
10 Power

This is the on/off button for the powered PULSAR sub. Its status LED lights up green when it is engaged and the unit is on.

11 Mains

Use the factory-included IEC power cord to connect this socket to a wall outlet.

Heads up! Around 0.5 watts of power are consumed when the unit is off. Note: The powered PULSAR sub is equipped with a V-Lock mains socket. If you use a VOLEX locking power cord or another optionally available brand with the same design, you can fix the power cord in place to prevent accidental disconnection.



2.2 Connecting Cords

Use a microphone cord equipped with XLR connectors or ¼" (6.3 mm) jack plugs to route the signal from the audio source (master, monitor, line, or a similar output) to the balanced L/R Inputs. Connect the powered mid/high units to the XLR outputs labeled Line Out Mid/High. Use the two Thru ports to route the fullrange signal on to other powered subwoofers.

2.3 Operating the Sub

- Ensure the PL 118 Sub A subwoofer's Power switch is set to Off.

Caution! Always make sure the local mains voltage matches the voltage specified on the unit. You may destroy the powered sub's electronic components if you connect it to the wrong mains voltage.

- Set the Gain Bass knob to 12 o'clock (0 dB/ center-notched).
- Set the Configuration switch to match the number of PL 118 Sub A subs you are using.
- Ensure all other connected components sources are switched on before powering up. First switch on the connected mixer and all signal sources connected to it, for example, keyboards, amps, effects, and so forth. Always connect powered PULSAR mid/ high units to the Line Out Mid/High ports and switch them on after all other components are up and running. When you're ready to tear the rig down, please turn the powered PULSAR components down by rotating all input's Gain knobs counterclockwise as far as they will go and switch them off before powering down all other connected devices.
- When you press the Power button, the fan will briefly start up (system check) and stop after about five seconds. The fan is temperature-controlled. It kicks on only at very high volume levels and runs according to the given temperature and load. The Status LED lights up red during the system check, and then green if there is no malfunction and the unit is getting mains power.

2.4 Settings

Adjusting volume levels with the Gain Bass knob

Use the Gain Bass knob to adjust the PL 118 Sub A subwoofer's volume to suit the venue and situation. If you want to boost or cut the subwoofer's volume, simply turn this knob to the left or right (control range +/-6 dB). If you hear distortion or the signal sounds saturated, first check the signal sources and, if possible, reduce the output signal level there.

Adjusting the corner frequency with the X-Over Bass switch

Use this switch to adjust the PL 118 Sub A's frequency range to match the signal you wish to render and the given surroundings. The Line Out Mid/High Left/Right outputs are not affected by this setting.

Adjusting the phase position with the Phase switch

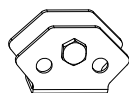
Use the Phase switch to adjust the PL 118 Sub A subwoofer's phase position to match that of the connected mid/ high unit. Always set this switch to 0° in combination with powered PULSAR speakers. You may have to invert the phase to operate this sub with other speakers. If so, set the switch to 180°.

3 Applications

See page 42 – 45.

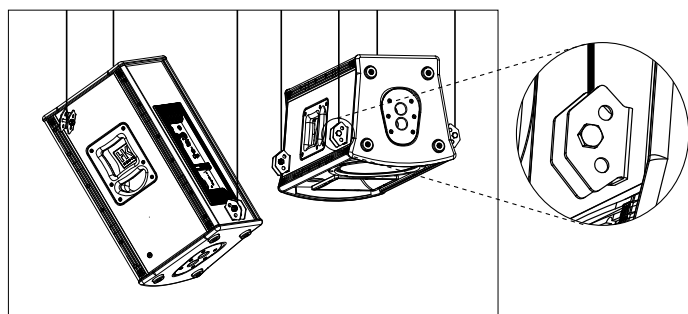
4 Original HK Audio Accessories

AP-8 Attachment Point

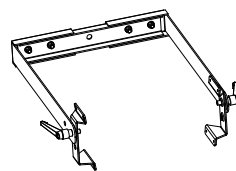


This attachment point has a workload limit (WLL) of 360 kg. It safely attaches enclosures with M8 rigging points to steel cables or chains.

The AP-8 is locked in place after installation to prevent loosening. It provides a large bearing surface. The maximum tilt angle for a cabinet attached to three pick-points is 45°. The PL 110 FA, PL 112 FA and PL 115 FA may even be flown horizontally using four AP-8s. They are also suitable for HK AUDIO PREMIUM PR:O and LINEAR 5 series fullrange mid/ high units.

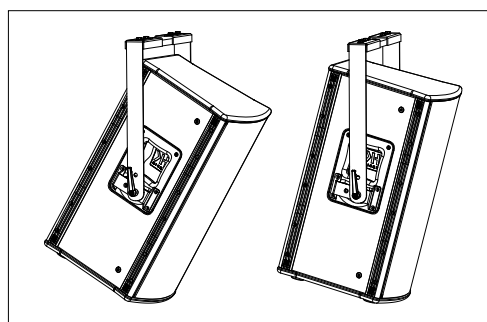


TB-1 Tilt Bracket



This single-cab tilt bracket serves to quickly attach PL 112 FA and PL 115 FA fullrange speakers to trusses using the proper half-couplers or trigger clamps (M12). It is also suitable for LINEAR 5 series fullrange mid/ high units. The TB-1 adjusts from side to side and up and down, so aiming cabinets is an exercise in convenience, as is installation on ceilings,

wall brackets and stands. Once the unit is aimed properly, the TB-1 is easily secured with two sturdy clamping levers.



5 Technical Specifications

Model	PL 110 FA	PL 112 FA	PL 115 FA	PL 118 Sub A
Max. SPL @ 10% THD	128 dB half space	129 dB half space	129 dB half space	127 dB half space
Max. SPL peak @ 10% THD	134 dB half space	135 dB half space	135 dB half space	130 dB half space
Max. SPL calculated	136 dB half space	137 dB half space	137 dB half space	131 dB half space
Frequency response +/- 3 dB	70 Hz - 16 kHz	70 Hz - 16 kHz	58 Hz - 16 kHz	44 Hz - X-Over
Frequency response -10 dB	58 Hz - 18 kHz	56 Hz - 18 kHz	49 Hz - 18 kHz	35 Hz - X-Over
Output power	1000 watts	1000 watts	1000 watts	600 watts
Amp to woofer	650 W @ 4 ohms	650 W @ 4 ohms	650 W @ 4 ohms	600 W @ 4 ohms
Amp to driver	350 W @ 4 ohms	350 W @ 4 ohms	350 W @ 4 ohms	-
Preamp	DSP (time alignment)	DSP (time alignment)	DSP (time alignment)	Analog
Amp type	Class D - biamped	Class D - biamped	Class D - biamped	Class D
Active protective circuits	Under-voltage, thermal, short circuit, over-current protection, subsonic filter, look ahead temperature control, peak, RMS and multiband limiters	Under-voltage, thermal, short circuit, over-current protection, subsonic filter, look ahead temperature control, peak, RMS and multiband limiters	Under-voltage, thermal, short circuit, over-current protection, subsonic filter, look ahead temperature control, peak, RMS and multiband limiters	Under-voltage, thermal, short circuit, and over-current protection, look ahead temperature control, peak limiter
Bass woofer	10" featuring Advanced Cooling Technology	12" featuring Advanced Cooling Technology	15" featuring Advanced Cooling Technology	18" featuring Advanced Cooling Technology
HF driver	1"	1"	1"	-
Horn directivity	90° x 55° CD horn	90° x 55° CD horn	90° x 55° CD horn	-
Active x-over frequency	2.5 kHz, 24 dB / octave	2.5 kHz, 24 dB / octave	2.5 kHz, 24 dB / octave	100 Hz / 120 Hz variable with 24 dB / octave
Audio ports	2x XLR Combo In, 1x Stereo RCA In, 2 x XLR Thru, 1x XLR Mix Out	2x XLR Combo In, 1x Stereo RCA In, 2 x XLR Thru, 1x XLR Mix Out	2x XLR Combo In, 1x Stereo RCA In, 2x XLR Thru, 1x XLR Mix Out	2x XLR Combo In, 2x XLR Thru, 2x XLR Mid/High Out
Input sensitivity	+4 dBu @ Gain center-notched	+4 dBu @ Gain center-notched	+4 dBu @ Gain center-notched	+4 dBu @ Gain center-notched
Filter presets	2 EQ switches: Stand Alone / System & Flat / Contour	2 EQ switches: Stand Alone / System & Flat / Contour	2 EQ switches: Stand Alone / System & Flat / Contour	-
Mains connector	1x IEC socket with V-Lock cord retainer	1x IEC socket with V-Lock cord retainer	1x IEC socket with V-Lock cord retainer	1x IEC socket with V-Lock cord retainer
Power consumption	3 A / 220-240 V (6 A / 100-120 V) nominal according to EN 60065	3 A / 220-240 V (6 A / 100-120 V) nominal according to EN 60065	3 A / 220-240 V (6 A / 100-120 V) nominal according to EN 60065	3 A / 220-240 V (6 A / 100-120 V) nominal according to EN 60065
Pole mount	DuoTilt 3/7	DuoTilt 3/7	DuoTilt 3/7	M20
Suspension points	5x M8	5x M8	5x M8	-
Grips	1, integrated	2, integrated	2, integrated	4, integrated
Housing	Hybrid (MDF, particle)	Hybrid (MDF, particle)	Hybrid (MDF, particle)	Hybrid (MDF, particle)
Front grille	1 mm metal grille backed with black acoustic foam	1 mm metal grille backed with black acoustic foam	1 mm metal grille backed with black acoustic foam	1 mm metal grille backed with black acoustic foam
Finish	Black acrylic enamel	Black acrylic enamel	Black acrylic enamel	Black acrylic enamel
Casters	-	-	-	Optional 100 mm
Optional accessories	Cover, Tilt Unit, Rigging Yoke	Cover, Tilt Unit, Rigging Yoke	Cover, Tilt Unit, Rigging Yoke	Cover, Mounting hardware for casters, Tilt Unit
Dimensions (WxDxH)	35 x 49 x 37 cm 13-25/32 x 19-9/32 x 14-9/16"	38 x 66 x 37 cm 14-31/32 x 25-63/64 x 14-9/16"	46,5 x 69 x 45,2 cm 18-3/8 x 27-5/32 x 17-51/64"	52,5 x 69 x 69,1 cm 20-45/64 x 27-5/32 x 27-13/64"
Weight	16 kg / 35,3 lbs.	19,7 kg / 43,4 lbs.	25,7 kg / 56,7 lbs	40,5 kg / 89,3 lbs

• Español

• Italiano

• Français

• Deutsch

• **English**

Wichtige Sicherheitshinweise!

Bitte vor Anschluss lesen!

Dieses Produkt wurde gemäß IEC 60065 hergestellt und hat das Werk in einem sicheren, betriebsfähigen Zustand verlassen. Um diesen Zustand zu erhalten und um einen gefahrlosen Betrieb zu gewährleisten, ist es notwendig, dass der Benutzer die Empfehlungen und Warnhinweise befolgt, die in der Betriebsanleitung zu finden sind. Bei Einsatz dieses Produktes in Fahrzeugen, Schiffen oder Flugzeugen, oder in Höhen oberhalb 2000 m Meereshöhe müssen die entsprechenden Sicherheitsstandards zusätzlich zur IEC 60065 beachtet werden. **WARNUNG:** Um das Risiko von Feuer oder Stromschlag zu verhüten, darf dieses Gerät nicht Feuchtigkeit oder Regen ausgesetzt werden. Öffnen Sie das Gehäuse nicht – im Inneren gibt es keine Bauteile, die vom Benutzer wartbar sind. Die Wartung darf nur von einem qualifiziertem Kundendienst durchgeführt werden.



Dieses Symbol, wo immer es erscheint, warnt Sie vor gefährlicher, nicht isolierter Spannung im Gehäuse – Spannung, die möglicherweise genügt, eine Stromschlaggefahr darzustellen.



Dieses Symbol, wo immer es erscheint, warnt Sie vor außen zugänglicher, gefährlicher Spannung. Eine Verbindung zu jeder Anschlussklemme, die mit diesem Symbol versehen ist, darf nur mit konfektioniertem Kabel hergestellt werden, dass den Empfehlungen des Herstellers genügt, oder mit Kabel, das von qualifiziertem Personal installiert wurde.



Dieses Symbol, wo immer es erscheint, macht Sie auf wichtige Bedienungs- und Wartungsanweisungen aufmerksam, die in beiliegenden Unterlagen zu finden sind. Bitte lesen Sie das Handbuch.



Dieses Symbol, wo immer es erscheint, sagt Ihnen: Vorsicht! Heiße Oberfläche! Um Verbrennungen zu vermeiden, nicht anfassen.

- Bitte lesen Sie diese Anweisungen.
- Bewahren Sie diese Anweisungen auf.
- Befolgen Sie alle Warnhinweise und Anweisungen auf dem Gerät und in dieser Anleitung.
- Benutzen Sie dieses Gerät nicht in der Nähe von Wasser. Stellen Sie das Gerät nicht in der Nähe von Wasser, Badewannen, Waschbecken, Küchenspülen, nassen Stellen, Schwimmbecken oder in feuchten Räumen auf.
- Stellen Sie keine Gefäße, wie Vasen, Gläser, Flaschen usw., die Flüssigkeiten enthalten, auf das Gerät.
- Reinigen Sie das Gerät nur mit einem trockenen Tuch.
- Entfernen Sie keine Abdeckungen oder Teile des Gehäuses.
- Die auf dem Gerät angegebene Betriebsspannung muss mit der örtlichen Spannung der Netzstromversorgung übereinstimmen. Wenn Sie sich nicht sicher sind, welche Spannung in Ihrem Netz zur Verfügung steht, konsultieren Sie bitte Ihren Händler oder den örtlichen Stromversorger.
- Stellen Sie vor Anschluss des Gerätes unbedingt sicher, dass die Netzversorgungsinstallation über ausreichende Schutzvorrichtungen gegen Kurzschluss und Erdungsfehler angeschlossener Geräte verfügt.
- Um das Risiko eines Stromschlags zu verringern, muss die Erdung des Gerätes beibehalten werden. Verwenden Sie nur das mitgelieferte Stromführungskabel und behalten Sie die Funktion der seitlichen, geerdeten Schutzkontakte des Netzanschlusses immer aufrecht. Stellen Sie sicher, dass das Gerät nur an Steckdosen angeschlossen wird, die über eine ordnungsgemäß funktionierende Schutzerde verfügen.
- Schützen Sie das Stromführungskabel vor Betreten und Quetschen, besonders in der Nähe der Stecker, Gerätesteckdosen – und dort, wo sie am Gerät austreten! Stromführungskabel sollten immer vorsichtig behandelt werden. Kontrollieren Sie die Stromführungskabel in regelmäßigen Abständen auf Einschnitte und Anzeichen von Abnutzung, besonders in der Nähe des Steckers und an der Verbindung zum Gerät.
- Benutzen Sie niemals ein beschädigtes Stromführungskabel.
- Ziehen Sie bei Gewittern den Stecker des Gerätes und wenn das Gerät über einen längeren Zeitraum nicht benutzt wird.
- Dieses Gerät wird nur vollständig vom Stromnetz getrennt, wenn der Stecker vom Gerät oder aus der Steckdose gezogen wird. Das Gerät sollte so aufgestellt werden, dass das Trennen vom Stromnetz leicht möglich ist.
- Sicherungen: Ersetzen Sie Sicherungen nur mit dem Typ IEC127 (5x20mm) und dem korrekten Nennwert, um die optimale Leistung zu gewährleisten! Es ist untersagt, kurzgeschlossene Sicherungen zu verwenden oder den Sicherungshalter zu überbrücken. Sicherungen dürfen nur von qualifiziertem Personal gewechselt werden.

- Alle Wartungsarbeiten sollten nur von qualifiziertem Personal ausgeführt werden. Wartung ist notwendig, wenn das Gerät auf irgendeine Weise beschädigt wurde, wie zum Beispiel:
 - Wenn das Stromführungskabel oder der Stecker beschädigt oder abgenutzt ist.
 - Wenn Flüssigkeit oder Gegenstände in das Gerät gelangt sind.
 - Wenn das Gerät Regen oder Feuchtigkeit ausgesetzt war.
 - Wenn das Gerät nicht ordnungsgemäß funktioniert, obwohl die Bedienungsanleitung beachtet wurde.
 - Wenn das Gerät hingefallen ist oder das Gehäuse beschädigt wurde.
- Beim Anschluss von Lautsprechern an dieses Gerät darf die auf dem Gerät oder in dieser Anleitung angegebene Mindestimpedanz nicht unterschritten werden. Die verwendeten Kabel müssen entsprechend den lokalen Regelungen über einen ausreichenden Querschnitt verfügen.
- Halten Sie das Gerät vom Sonnenlicht fern.
- Installieren Sie das Gerät nicht in der Nähe von Wärmequellen, wie zum Beispiel Heizkörper, Heizregister, Öfen oder anderen Geräten, die Hitze erzeugen.
- Verstopfen Sie nicht die Lüftungsöffnungen. Installieren Sie das Gerät entsprechend der Anleitung des Herstellers. Das Gerät darf nicht eingebaut werden – wie zum Beispiel in einen Gestellrahmen, es sei denn, dass für angemessene Belüftung gesorgt wird.
- Ein kaltes Gerät sollte immer auf die Umgebungstemperatur erwärmt werden, wenn es in einen Raum transportiert wird. Es könnte sich Kondensation im Inneren bilden, die das Gerät beschädigt, wenn es ohne vorherige Erwärmung benutzt wird.
- Stellen Sie keine offenen Flammen, wie brennende Kerzen, auf das Gerät.
- Das Gerät sollte mindestens 20 cm von Wänden aufgestellt werden.
- Das Gerät darf nur mit Rollwagen, Ständern, Stativen, Tischen oder Halterungen benutzt werden, die vom Hersteller spezifiziert sind oder zusammen mit dem Gerät verkauft wurden. Wenn ein Rollwagen benutzt wird, seien Sie vorsichtig, wenn Sie die Rollwagen/Geräte-Kombination transportieren, um Verletzungen durch Umkippen zu vermeiden.
- Verwenden Sie nur Zubehör, das vom Hersteller empfohlen ist. Das gilt für alle Arten von Zubehör, wie zum Beispiel Schutzabdeckungen, Transporttaschen, Ständer sowie Wand- und Deckenhalterungen. Wenn Sie irgendein Zubehör am Gerät anbringen, befolgen Sie immer die Anleitungen des Herstellers. Benutzen Sie nur die Befestigungspunkte des Geräts, die vom Hersteller vorgesehen sind.
- Dieses Gerät ist NICHT geeignet für eine Person oder Personen (einschließlich Kindern) mit eingeschränkten physischen, sensorischen und geistigen Fähigkeiten, oder für Personen mit unzulänglicher Erfahrung und/oder Fachkenntnis, um solch ein Gerät zu bedienen. Kinder unter 4 Jahren sollten stets von diesem Gerät fern gehalten werden.
- Es sollten keinerlei Gegenstände durch die Gehäuseschlitze eingeführt werden, da dadurch gefährliche, spannungsführende Bauteile berührt oder kurzgeschlossen werden können. Dies könnte zu einer Feuer- oder Stromschlaggefahr führen.
- Dieses Gerät ist imstande, Schalldruckpegel von mehr als 90 dB zu produzieren. Dies könnte zu einem dauerhaften Hörschaden führen! Eine Belastung durch extrem hohe Geräuschpegel kann zu einem dauerhaften Gehörverlust führen. Bei einer anhaltenden Belastung durch solch hohe Pegel sollte ein Gehörschutz getragen werden.
- Der Hersteller gewährleistet die Sicherheit, Zuverlässigkeit und Leistung des Gerätes nur unter folgenden Voraussetzungen:
 - Einbau, Erweiterung, Neueinstellung, Modifikationen oder Reparaturen werden vom Hersteller oder autorisiertem Personal ausgeführt.
 - Die elektrische Installation des betreffenden Bereiches entspricht den Anforderungen der IEC (ANSI) Maßgaben.
 - Das Gerät wird entsprechend der Bedienungsanleitung benutzt.
- Dieses Produkt ist auf die Verwendung mit Musik- und Sprachsignalen optimiert. Verwendung mit Sinus-, Rechteck- oder anderen Mess-Signalen bei höherem Pegel kann zu ernststen Beschädigungen des Geräts führen.

Allgemeine Sicherheitshinweise für Lautsprechersysteme



Befestigungssysteme dürfen ausschließlich für die vom Hersteller freigegebenen Lautsprechersysteme und mit dem in der Montageanleitung genannten Montage-Zubehör verwendet werden. Die Montagehinweise des Herstellers sind dabei unbedingt zu beachten. Bei unsachgemäßer Montage bzw. Verwendung von nicht freigegebenem Montage-Zubehör kann die angegebene Belastung nicht garantiert und keinerlei Haftung seitens des Herstellers übernommen werden. Sollten Änderungen an Lautsprechern, an Montage-Zubehör, Verbindungs- und Befestigungselementen sowie Anschlagmitteln vorgenommen werden, kann die Tragfähigkeit des Systems nicht mehr garantiert werden und seitens des Hersteller keinerlei Haftung

übernommen werden. Reparaturen an sicherheitsrelevanten Bauteilen dürfen nur vom Hersteller oder Bevollmächtigten durchgeführt werden, andernfalls erlischt die Betriebserlaubnis.



Die Installation darf ausschließlich durch Sachkundige und nur an Montagepunkten mit ausreichender Tragfähigkeit, ggf. unter der Berücksichtigung von Bauauflagen, erfolgen. Das vom Hersteller in der Montageanleitung vorgeschriebene Befestigungsmaterial (Schrauben, Dübel, etc.) muss verwendet werden. Schraubverbindungen müssen durch geeignete Maßnahmen gegen Lösen gesichert sein.



Ortsfeste oder mobile Installationen (hier Lautsprecher inkl. Montagezubehör) müssen durch zwei unabhängig voneinander wirkende Einrichtungen gegen Herabfallen gesichert sein. Lose Zusatzteile oder sich lösende Teile müssen durch geeignete Einrichtungen aufgefangen werden können. Bei Verwendung von Verbindungs- und Befestigungselementen sowie Anschlagmitteln sind die nationalen Vorschriften zu beachten. Hinsichtlich der Bemessung der Sicherungsmittel sind mögliche dynamische Belastungen (Ruckkräfte) mit zu berücksichtigen.



Bei Stativen ist vor allem die maximale Traglast zu beachten. Außerdem sind die meisten Stative aus konstruktiven Gründen nur für das Tragen von genau zentrischer Belastung zugelassen. Stative müssen standsicher aufgestellt werden. Stative sind durch geeignete Maßnahmen zusätzlich zu sichern, wenn zum Beispiel:

- ihre Aufständfläche keinen sicheren Stand zulässt,
- ihre Höhen die Standsicherheit einschränken,
- mit zu hohem Winddruck zu rechnen ist,
- damit zu rechnen ist, dass sie durch Personen umgestoßen werden.

Besondere Maßnahmen können auch zur Vorsorge gegen gefährdendes Verhalten von Zuschauern erforderlich werden. Stative dürfen nicht in Flucht- und Rettungswegen aufgestellt werden. Bei Aufstellung in Verkehrswegen ist auf die erforderliche Breite der Wege und auf ordnungsgemäße Absperrung sowie Kennzeichnung zu achten. Beim Auf- und Absetzen ist eine besondere Gefährdung gegeben. Hierzu sind geeignete Hilfsmittel zu verwenden. Es sind hierbei die nationalen Vorschriften zu beachten.



Während der Montage ist geeignete Schutzausrüstung (insbesondere Kopfschutz, Handschuhe und Sicherheitsschuhe) zu tragen und es sind nur geeignete Aufstieghilfen (Leitern, Gerüste, etc.) zu verwenden. Die Verantwortung dafür liegt alleine beim ausführenden Installationsbetrieb.



ACHTUNG!

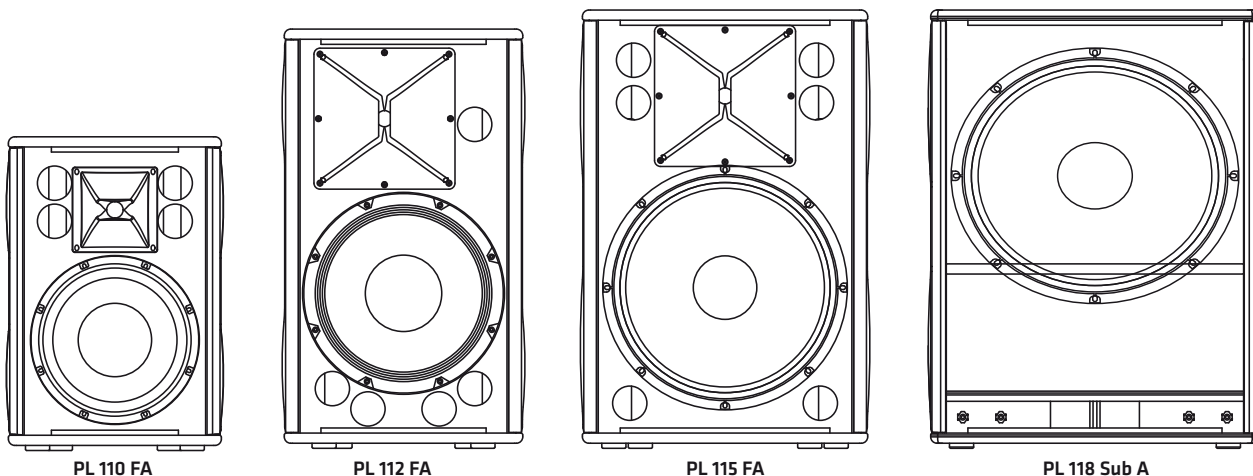
Nach der Montage ist die Aufhängung des System aus Halterung und Lautsprecher auf sichere Befestigung zu überprüfen. Der Betreiber von Lautsprechersystemen (ortsfest oder mobil) ist verpflichtet, alle Systemkomponenten unter Berücksichtigung der jeweils nationalen Regelungen regelmäßig zu überprüfen bzw. prüfen zu lassen und mögliche Schäden unverzüglich beseitigen zu lassen. Weiterhin raten wir dringend zu einer ausführlichen Dokumentation aller Überprüfungsmaßnahmen in Prüfbüchern o.ä. Bei längerem oder dauerhaftem Einsatz von Lautsprechern im Freien sind für Standsicherheit und Tragfähigkeit von Aufbauten und Flächen insbesondere auch die Windlasten, Schnee- und Eislasten sowie thermische Einflüsse zu berücksichtigen. Insbesondere die Lastaufnahmepunkte geflogener Systeme sollten hier mit ausreichenden Sicherheitsreserven dimensioniert werden. Es sind hierbei die nationalen Vorschriften zu beachten.

- Fragen Sie den Hersteller, ob Ihr Produkt für den Betrieb im Freien geeignet ist.



Professionelle Lautsprechersysteme sind in der Lage, gesundheitsschädliche Schallpegel zu erzeugen. Selbst die Einwirkung scheinbar harmloser Schallpegel über einen längeren Zeitraum kann zu bleibenden Schäden am Gehör führen (ab ca. 95 dBA SPL)! Daher raten wir für alle Personen, die durch den Betrieb von Lautsprechersystemen dem Einfluss hoher Schallpegel ausgesetzt sind, zum Tragen von professionellem Gehörschutz (Ohrstöpsel oder Kapselgehörschutz).
Hersteller: Stamer Musikanlagen GmbH, Magdeburger Str. 8, 66606 St. Wendel, Deutschland

PULSAR



Willkommen in der HK Audio Familie!

Vielen Dank, dass Sie sich für ein Markenprodukt aus unserem Hause entschieden haben, das mit größter Sorgfalt für Sie entwickelt und gefertigt wurde.

Auch wenn Sie bereits eingehende Erfahrungen mit Beschallungsanlagen gesammelt haben – bei diesem Produkt wird es trotzdem einige Dinge geben, die neu für Sie sind. Legen Sie deshalb diese Bedienungsanleitung nicht ungelesen beiseite und bewahren Sie sie zur späteren Verwendung auf.

Wir wünschen Ihnen allzeit besten Sound!

Ihr HK Audio Team

Garantie

Registrieren Sie jede einzelne PULSAR Aktivbox – dann erhalten Sie eine kostenlose Garantieverlängerung bis 5 Jahre! Nutzen Sie die komfortable Online-Registrierung über www.hkaudio.com.

Falls Sie keine Möglichkeit haben, sich online zu registrieren, füllen Sie bitte die beiliegende Garantiekarte vollständig und gut leserlich aus und senden diese per Post oder Fax an uns.

Die Registrierung ist nur gültig, wenn die vollständig ausgefüllte Registrierungskarte innerhalb von 30 Tagen ab Kaufdatum an HK AUDIO eingesendet wurde bzw. die fristgerechte Registrierung über das Internet erfolgte.

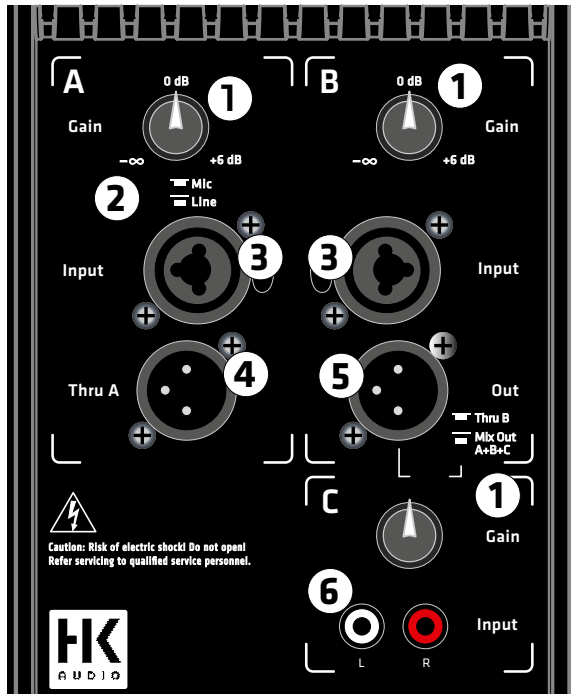
Weiterhin möchten wir uns einen Eindruck verschaffen, wo und von wem unsere Geräte angewendet werden. Diese Informationen unterstützen unsere zukünftige Produktentwicklung. Ihre Angaben unterliegen selbstverständlich den deutschen Datenschutzbestimmungen. Vielen Dank!

HK AUDIO
Technischer Service
Postfach 1509
66959 St. Wendel, Deutschland
Fax: +49 6851 905 100

1 PL 110 FA / PL 112 FA / PL 115 FA

Die Aktiv-Toppteile der PULSAR-Serie sind jeweils mit drei Eingangskanälen (A, B, C) ausgestattet, die parallel betrieben und unabhängig voneinander geregelt werden können.

1.1 Bedienelemente



1 Gain

Mit diesen Reglern wird der jeweilige Eingangspegel der Inputs A, B und C angepasst.

2 Mic/Line-Schalter (nur Input Kanal A)

Bei Anschluss eines Mikrofons, optimieren Sie mit der Schalterstellung „Mic“ die Eingangsempfindlichkeit. Sie wird dabei um 30 dB erhöht.

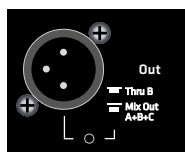
3 Input A/B

Elektronisch symmetrierte, kombinierte XLR/Klinkebuchse für das Eingangssignal.

4 Thru A

Thru A ist ein paralleler, symmetrischer XLR-Ausgang zur Weiterleitung der Eingangssignale von Input A (z.B. an einen Aktiv-Monitor).

5 Out (Thru B / Mix Out)



Die Out-Buchse im Kanal B ist ein symmetrischer XLR-Ausgang, der folgende Doppelfunktion erfüllt:

Tasterstellung Thru B:

Out ist nun ein paralleler Ausgang zur exklusiven Weiterleitung der Eingangssignale von Input B an z.B. einen Aktiv-Monitor.

Tasterstellung Mix Out A+B+C:

Im Mix Out-Betrieb dient dieser Ausgang zum Weiterschleifen der (gemixten) Summensignale der Inputs A, B und C. Das Summensignal kann mit den jeweiligen Gain-Reglern geregelt werden.

6 Input (Kanal C)

Cinch-Buchsen für ein Stereo-Eingangssignal. Linker und rechter Kanal werden hierbei zu einer Mono-Summe aufaddiert.

7 Status LED

Die zweifarbige LED zeigt den Status des PULSAR Aktivlautsprechers an (Grün = Power On, Rot = Fehler).

8 Power

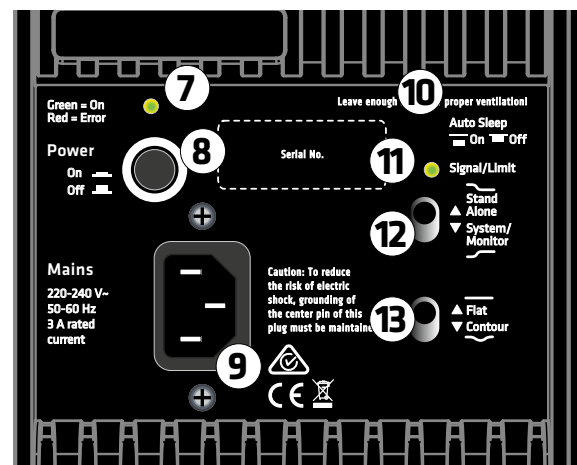
Der An/Aus-Schalter für den PULSAR Aktivlautsprecher. In eingeschaltetem Zustand leuchtet die Status-LED grün.

9 Mains

Verbinden Sie diese Anschlussbuchse mittels eines Kaltgerätestromkabels (im Lieferumfang enthalten) mit der Netzsteckdose.

Achtung! Dabei wird im ausgeschalteten Zustand etwa 0,5 Watt verbraucht.

Hinweis: Die PULSAR Aktiv-Toppteile sind mit verriegelbaren V-Lock-Netzeingangsbuchsen ausgestattet. In Kombination mit einem verriegelbaren Anschlusskabel (VOLEX oder baugleich, optional erhältlich) kann das Netzkabel arretiert und so gegen versehentliches Herausrutschen gesichert werden.



10 Auto Sleep

Die Toppteile der PULSAR Serie verfügen über eine Auto Sleep-Funktion, die ein- und ausgeschaltet werden kann. Bei Stellung „On“ schaltet die Endstufe – sofern 180 Minuten kein Signal anliegt – in den Ruhezustand (Verbrauch etwa 0,5 Watt). Um die PULSAR Lautsprecher wieder in Betriebszustand zu versetzen, schalten Sie die Box über den Power-Schalter für fünf Sekunden aus und anschließend wieder ein. Auto Sleep auf „off“ deaktiviert diese Funktion und die Toppteile bleiben dauerhaft in Betrieb.

11 Signal / Limit

Die zweifarbige LED ist ohne anliegendes Signal vorerst aus. Liegt ein Eingangssignal an, leuchtet sie grün. Signalspitzen bei hoher Lautstärke werden durch rotes Aufleuchten angezeigt.

Achtung! Hier handelt es sich nicht um eine Clip-LED. Die LED darf hin und wieder kurz rot leuchten, denn dies zeigt lediglich an, dass die Limiter arbeiten. Brennt die Signal-LED bei Signalspitzen immer rot und es ist kein Audiosignal hörbar, überprüfen Sie den Eingangspegel der Signalquelle und reduzieren Sie den Lautstärkeregler (Gain) an Ihrer Box. Leuchtet diese LED dauerhaft rot, liegt ein Fehler vor.

12 Stand Alone / System/Monitor



Dieser Schalter optimiert den Frequenzgang des PULSAR Aktivlautsprechers für den gewünschten Anwendungsfall. Die Schalterstellung „System/Monitor“ ist für den Einsatz des Topteils mit einem zusätzlichen Subwoofer oder separat für den Monitor-Einsatz gedacht. Im „Stand Alone“-Betrieb wird der Frequenzgang der PULSAR Aktivlautsprecher für die Nutzung als Standalone/ Fullrange Box durch eine Erweiterung des Bassbereichs angepasst.

13 Flat / Contour



Auf der Schalterstellung Flat wird der Frequenzgang auf eine lineare Wiedergabe optimiert und ist damit ideal für Liveanwendung. Im „Contour“-Setup wird der Mitteltonbereich auf ein weiches Klangbild abgestimmt, um stark komprimierte, mittenlastige Signale für kurze Distanzen zu optimieren.

1.2 Anschlüsse und Verkabelung

Schließen Sie die von Ihrer Tonquelle kommenden Signalkabel (Monitor Out, Line Out o.ä.) an die symmetrierten Input-Buchsen A und B mit einem XLR/Klinke-Mikrofonkabel oder an die Input-Buchsen C mit einem Cinchkabel an. Falls Sie ein Mikrofon direkt ohne Mischpult an dem PULSAR Aktivlautsprecher anschließen möchten, verwenden Sie den symmetrierten Input A und schalten Sie den Mic/Line Schalter auf „Mic“. Verwenden Sie auch hierzu ein XLR/Klinke-Mikrofonkabel.

1.3 Inbetriebnahme

- Achten Sie darauf, dass der PULSAR Aktivlautsprecher ausgeschaltet ist.

Achtung! Achten Sie darauf, dass die aufgedruckte Spannungsangabe der örtlichen Netzspannung entspricht. Der Anschluss an eine falsche Netzspannung kann die Elektronik des Aktivlautsprechers zerstören.

- Drehen Sie die Gain-Regler (Gain A/B/C) auf Linksanschlag.
- Achten Sie beim Anschluss eines Line-Signals darauf, dass alle übrigen angeschlossenen Komponenten schon vorher in Betrieb sind. Sowohl das angeschlossene Mischpult als auch alle mit ihm verbundenen Signalquellen wie Keyboards, Instrumentalverstärker, Effekte usw. sollten eingeschaltet sein. Achten Sie nun darauf, dass der Mic/Line-Schalter des PULSAR Aktivlautsprechers richtig eingestellt ist (Standard = Line). Der PULSAR Aktivlautsprecher sollte immer zuletzt, d.h. nach allen anderen Komponenten, eingeschaltet, und zuerst, d.h. vor allen angeschlossenen Geräten, ausgeschaltet werden.
- Nach dem Einschalten mit dem Power-Schalter läuft der Lüfter kurz an (Systemcheck) und geht nach ca. 5 Sekunden aus. Der Lüfter ist temperaturgesteuert. Er geht nur bei sehr hohen Lautstärken in Betrieb und regelt sich temperaturabhängig vom Belastungszustand. Während des Systemchecks leuchtet die Status-LED rot – sie wird grün wenn kein Fehler vorliegt und Netzspannung anliegt.

1.4 Einstellungen

Lautstärkeanpassung mit den Gain-Reglern

Passen Sie mit diesen Reglern und durch Drücken des Mic/Line-Schalters (nur Kanal A) das Eingangssignal für Line und Mikrofonssignale an. Falls Verzerrungen oder Übersteuerungen auftreten, überprüfen Sie die Signalquellen und reduzieren Sie nach Möglichkeit dort das Ausgangssignal.

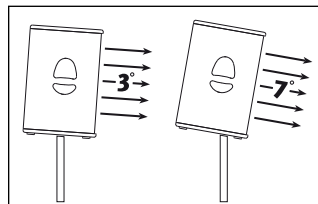
Drehen Sie die Gain Regler auf Mittelstellung (= 0 dB / Centerclick). Wenn Sie ein Mischpult zur Ansteuerung der PULSAR Aktivbox verwenden, ist diese Pegelstellung zu bevorzugen. Falls Sie direkt einen CD-Player oder z.B. ein Keyboard anschließen, kann je nach Signalstärke der Gain-Regler ganz nach rechts gedreht werden, um die maximale Lautstärke zu erzielen. Verwenden Sie Input C, um auch mobile Abspielgeräte direkt mit den PULSAR Topteilen zu verbinden.

Filtereinstellungen

Stellen Sie die Filter der PULSAR Topteile über die Stand Alone/System-Monitor und Flat/Contour-Schalter gemäß Ihres Anwendungsfalls oder Vorlieben ein (siehe Punkt 1.1).

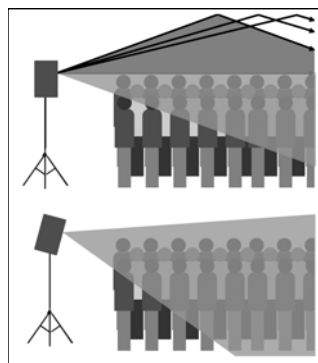
1.5 Ausrichtung

HK Audio DuoTilt™ 3/7 (PL 110 FA / PL 112 FA / PL 115 FA)



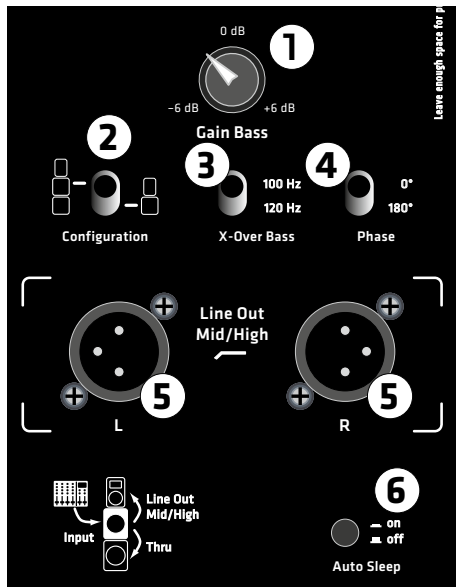
Mit dem HK Audio DuoTilt™ 3/7 können die PULSAR Aktivtops auf einem Lautsprecherstativ horizontal ausgerichtet werden. Dadurch können störende Reflexionen an der Decke vermieden bzw. verringert werden. Mit der vorderen Öffnung im DuoTilt™ beträgt der Neigungswinkel 7° und mit der hinteren 3°.

Wird ein PULSAR Aktivlautsprecher auf einem voll ausgefahrenem Boxenstativ bzw. Distanzstange betrieben, sollte der 7°-Winkel benutzt werden. Diese Einstellung eignet sich besonders gut, wenn weniger Zuhörer beschallt werden sollen, die unmittelbar in der Nähe der Lautsprecherboxen stehen. Sollen mehr Zuhörer beschallt werden, die sich weiter entfernt von den Lautsprechern befinden, eignet sich der 3° Winkel des DuoTilt™.



2 PL 118 Sub A

2.1 Bedienelemente



1 Gain Bass

Mit diesem Regler wird die Lautstärke des Subwoofers angepasst. In Mittenstellung ist die Lautstärke des Subwoofers an die PULSAR Aktivtops so angepasst, dass ein homogener Klangeindruck mit ausgewogenem Bass- und Mittelhochton-Anteil besteht. Durch Drehen des Gain Bass-Reglers nach links oder rechts kann die Lautstärke des Subwoofers bei Bedarf verringert bzw. erhöht und an die räumlichen Gegebenheiten angepasst werden (Regelbereich +/-6 dB).

2 Configuration

Mit dem Configuration Schalter können Sie den PL 118 Sub A für den Betrieb mit anderen Produkten der PULSAR Serie optimieren.



In der Schaltstellung unten ist der PULSAR Aktiv-Sub für die Nutzung mit einem PULSAR Aktivlautsprecher optimiert.



Die Schaltstellung oben ist für den Betrieb von zwei PULSAR Aktiv-Sub und einem PULSAR Aktivtop optimiert. In dieser Schaltstellung werden die Pegel der beiden Line Out Mid/High-Ausgänge angehoben, um bei der Nutzung von zwei PULSAR Aktiv-Sub und der daraus resultierenden Pegelerhöhung von 6 dB ein ausgewogenes Lautstärkeverhältnis zwischen Bass und Topteil zu erreichen.

3 X-Over Bass

Mit dem X-Over-Schalter können Sie die obere Trennfrequenz der integrierten Frequenzweiche des PL 118 Sub A zwischen 100 Hz und 120 Hz einstellen. Diese ist abhängig von den räumlichen Gegebenheiten und der Art der Darbietung.

4 Phase

Mit dem Phase-Schalter kann der PL 118 Sub A durch Drehung der Polarität an die Phasenlage der angeschlossenen Topteile angepasst werden (0°/180°). Im Betrieb mit PULSAR Topteilen muss der Schalter auf 0° eingestellt werden. Beim Betrieb mit anderen Lautsprechern ist unter Umständen eine Drehung der Polarität erforderlich.

5 Line Out Mid/High L/R

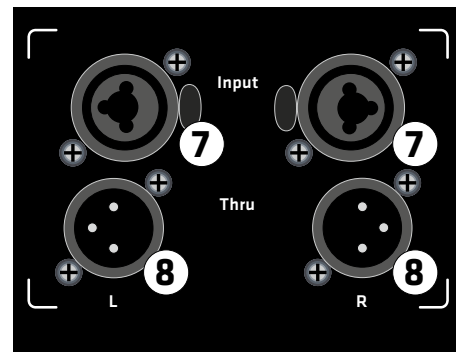
Zwei elektronisch symmetrierte XLR-Ausgangsbuchsen für das Anschließen von aktiven PULSAR Topteilen.

6 Auto Sleep

Der Subwoofer der PULSAR Serie verfügt über eine Auto Sleep-Funktion, die ein- und ausgeschaltet werden kann. Bei Stellung „On“ schaltet die Endstufe – sofern 180 Minuten kein Signal anliegt – in den Ruhezustand (Verbrauch etwa 0,5 Watt). Um den PULSAR Subwoofer wieder in Betriebszustand zu versetzen, schalten Sie ihn über den Power-Schalter für 5 Sekunden aus und anschließend wieder ein. Auto Sleep auf „Off“ deaktiviert diese Funktion und der Subwoofer bleibt dauerhaft in Betrieb.

7 Input L/R

Elektronisch symmetrierte, kombinierte XLR/Klinke-Buchsen für die Eingangssignale.



8 Thru L/R

Paralleler Ausgang zur Weiterleitung der Eingangssignale (Inputs L/R).

9 Status-LED

Diese LED leuchtet grün, wenn der Power-Schalter auf „On“ geschaltet ist und eine Stromverbindung besteht.

Wenn das Eingangssignal der Endstufe zu hoch ist bzw. ein Fehler vorliegt, leuchtet die LED rot. Ein kurzzeitiges rotes Aufleuchten zeigt das Arbeiten der Limiter bei Pegelspitzen an.

Achtung! Leuchtet die Power/Limiter-LED während des Betriebs dauerhaft rot, ist das System überlastet. Reduzieren Sie den Signalpegel! Wenn kein Audiosignal anliegt und die LED dauerhaft rot leuchtet, liegt ein Fehler vor.

10 Power

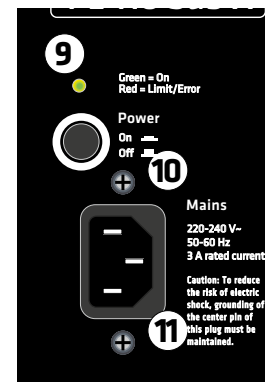
Der Ein/Aus-Schalter für den PULSAR Aktivsubwoofer. In eingeschaltetem Zustand leuchtet die Power-LED grün.

11 Mains

Verbinden Sie diese Anschlussbuchse mittels eines Kaltgerätestromkabels (im Lieferumfang enthalten) mit der Netzsteckdose.

Achtung! Dabei wird im ausgeschalteten Zustand etwa 0,5 Watt verbraucht.

Hinweis: Der PULSAR Aktiv-Sub ist mit verriegelbaren V-Lock-Netzanschlussbuchsen ausgestattet. In Kombination mit einem verriegelbaren Anschlusskabel (VOLEX oder baugleich, optional erhältlich) kann das Netzkabel arretiert werden und so gegen versehentliches Herausrutschen gesichert werden.



2.2 Anschlüsse und Verkabelung

Schließen Sie die von Ihrem Mischpult kommenden Signalkabel (Monitor Out, Line Out o.ä.) an die symmetrierten Input-Buchsen L/R mit einem XLR- / Klinkenkabel an. Verbinden sie die anzuschließenden Aktiv-Toppteile über die XLR-Ausgänge des „Line Out Mid/High Left/Right“. Zum Weiterschleifen des Fullrange-Signals auf weitere aktive Subwoofer bzw. Lautsprecher nutzen Sie die beiden Thru-Buchsen.

2.3 Inbetriebnahme

- Achten Sie darauf, dass der PL 118 Sub A Subwoofer ausgeschaltet ist.

Achtung! Achten Sie darauf, dass die aufgedruckte Spannungsangabe der örtlichen Netzspannung entspricht. Der Anschluss an eine falsche Netzspannung kann die Elektronik des Aktivlautsprechers zerstören.

- Drehen Sie den Gain Bass-Regler in die Mitte (0dB / Centerclick).
- Stellen Sie den Configuration-Schalter entsprechend der verwendeten Anzahl von PL 118 Sub A Subwoofern ein.
- Achten Sie darauf, dass alle übrigen angeschlossenen Komponenten schon vorher in Betrieb sind. Sowohl das angeschlossene Mischpult als auch alle mit ihm verbundenen Signalquellen wie Keyboards, Instrumentalverstärker, Effekte usw. sollten eingeschaltet sein. PULSAR Aktivlautsprecher sollten immer an den „Line Out Mid/High“ Buchsen angeschlossen werden und nach allen anderen Komponenten eingeschaltet werden. Beim Ausschalten bitte zuerst alle PULSAR-Komponenten abdrehen (Gain-Regler aller Inputs nach links drehen) und vor allen anderen angeschlossenen Geräten ausschalten.
- Nach dem Einschalten mit dem Power-Schalter läuft der Lüfter kurz an (Systemcheck) und geht nach ca. 5 Sekunden aus. Der Lüfter ist temperaturgesteuert. Er geht nur bei sehr hohen Lautstärken in Betrieb und regelt sich temperaturabhängig. Während des Systemchecks leuchtet die Status-LED rot – sie wird grün wenn kein Fehler vorliegt und Netzspannung anliegt.

2.4 Einstellungen

Lautstärkeanpassung mit dem Bass Gain-Regler

Passen Sie mit diesem Regler die Lautstärke des PL 118 Sub A Subwoofers an die jeweilige Beschallungssituation an. Durch Drehen des Gain Bass-Reglers nach links oder rechts kann die Lautstärke des Subwoofers bei Bedarf verringert bzw. erhöht werden (Regelbereich +/-6 dB). Falls Verzerrungen oder Übersteuerungen auftreten, überprüfen Sie die Signalquelle und reduzieren Sie nach Möglichkeit dort das Ausgangssignal.

Anpassung der Trennfrequenz mit dem X-Over Bass-Schalter

Passen Sie den Übertragungsbereich des PL 118 Sub A Subwoofers mit diesem Schalter an das zu übertragende Signal bzw. an die Umgebung an. Die Line Out Mid/High Left/Right Ausgänge sind von dieser Einstellung nicht betroffen.

Anpassen der Phasenlage mit dem Phasen-Schalter

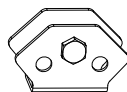
Passen Sie mit diesem Schalter die Phasenlage zwischen dem PL 118 Sub A Subwoofer und dem verwendeten Toppteil an. Bei der Verwendung von PULSAR Aktivlautsprechern muss der Phase-Schalter auf 0° gestellt werden. Bei Verwendung von anderen Aktiv-Tops ist unter Umständen ein Drehen der Polarität erforderlich. Hierzu muss der Schalter in die Schalterstellung 180° gebracht werden.

3 Anwendungen

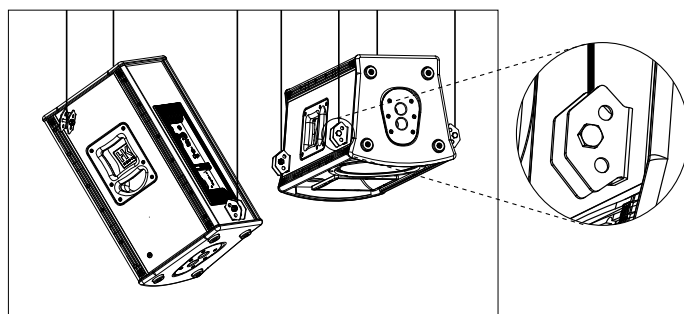
siehe Seite 42 – 45.

4 HK Audio Original-Zubehör

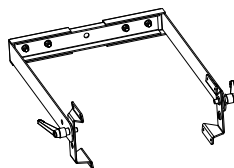
AP-8 Anschlagpunkt



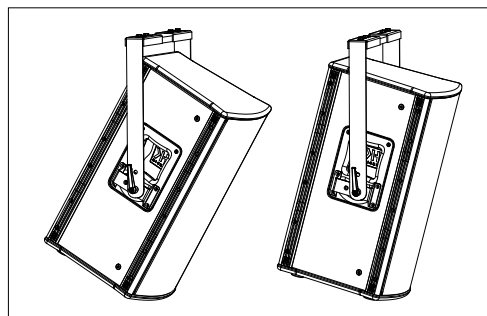
Mit einer Belastbarkeit von bis zu 360 kg (WLL) ermöglicht der Anschlagpunkt die sichere Installation von Lautsprecherboxen mit M8-Flugpunkten an Stahlseilen oder Ketten. Der AP-8 ist nach der Montage ausdrehgesichert und bietet eine große Auflagefläche. An drei Anschlagpunkten beträgt der maximal vorgesehene Neigewinkel einer Box bis zu 45°. Vier AP-8 erlauben sogar ein waagrechtes Fliegen der PL 110 FA, PL 112 FA und PL 115 FA (auch für die Fullrange-Toppteile der HK AUDIO Serien PREMIUM PR:O und LINEAR 5 geeignet).



TB-1 Neigebügel



Mit dem TB-1 Einzel-Neigebügel (auch für die Fullrange-Toppteile der LINEAR 5 Serie geeignet) lassen sich die Fullrangeboxen PL 112 FA und PL 115 FA mit Hilfe von Halbschellen oder Triggerclamps (M12) schnell an Truss-Holmen befestigen und entsprechend dem Anwendungsfall flexibel vertikal und horizontal ausrichten. Ebenso ist eine Installation an Decken, Wandauslegern oder auf Stativen möglich. Nach der Montage wird der gewünschte Neigewinkel eingestellt und mit den beiden stabilen Klemmhebeln fixiert.



5 Technische Daten

Modell	PL 110 FA	PL 112 FA	PL 115 FA	PL 118 Sub A
Max. SPL @ 10% THD	128 dB Halfspace	129 dB Halfspace	129 dB Halfspace	127 dB Halfspace
Max. SPL peak @ 10% THD	134 dB Halfspace	135 dB Halfspace	135 dB Halfspace	130 dB Halfspace
Max. SPL calculated	136 dB Halfspace	137 dB Halfspace	137 dB Halfspace	131 dB Halfspace
Frequenzgang +/- 3 dB	70 Hz - 16 kHz	70 Hz - 16 kHz	58 Hz - 16 kHz	44 Hz - X-Over
Frequenzgang -10 dB	58 Hz - 18 kHz	56 Hz - 18 kHz	49 Hz - 18 kHz	35 Hz - X-Over
Endstufenleistung	1000 Watt	1000 Watt	1000 Watt	600 Watt
Endstufe Woofer	650 W @ 4 Ohm	650 W @ 4 Ohm	650 W @ 4 Ohm	600 Watt @ 4 Ohm
Endstufe Treiber	350 W @ 4 Ohm	350 W @ 4 Ohm	350 W @ 4 Ohm	-
Preamp	DSP (Time Alignment)	DSP (Time Alignment)	DSP (Time Alignment)	analog
Endstufentyp	Class D - Biamped	Class D - Biamped	Class D - Biamped	Class D
Aktive Schutzschaltungen	Undervoltage-, Thermo-, Short-Circuit-, Overcurrent-Protection, Subsonic Filter, Peak-, RMS-, Multiband-Limiter, Look Ahead Temperature Control	Undervoltage-, Thermo-, Short-Circuit-, Overcurrent-Protection, Subsonic Filter, Peak-, RMS-, Multiband-Limiter, Look Ahead Temperature Control	Undervoltage-, Thermo-, Short-Circuit-, Overcurrent-Protection, Subsonic Filter, Peak-, RMS-, Multiband-Limiter, Look Ahead Temperature Control	Undervoltage-Protection, Thermo-Protection, Short-Circuit Protection, Overcurrent-Protection, Look Ahead Temperature Control, Peak Limiter
Basslautsprecher	10" mit Advanced-Cooling-Technologie	12" mit Advanced-Cooling-Technologie	15" mit Advanced-Cooling-Technologie	18" mit Advanced-Cooling-Technologie
Hochtontreiber	1"	1"	1"	-
Horncharakteristik	90° x 55° CD Horn	90° x 55° CD Horn	90° x 55° CD Horn	-
Trennfrequenz aktiv	2,5 kHz, 24 dB / Oktave	2,5 kHz, 24 dB / Oktave	2,5 kHz, 24 dB / Oktave	100 Hz / 120 Hz wählbar mit 24 dB / Oktave
Anschlüsse	2x XLR- Kombibuchse In, 1x Stereo Cinch In, 2x XLR-Thru, 1x XLR-Mix Out	2x XLR- Kombibuchse In, 1x Stereo Cinch In, 2x XLR-Thru, 1x XLR-Mix Out	2x XLR- Kombibuchse In, 1x Stereo Cinch In, 2x XLR-Thru, 1x XLR-Mix Out	2x XLR- Kombibuchse In, 2x XLR-Thru, 2x XLR-Mid/High Out
Eingangsempfindlichkeit	+4 dBu @ Gain Centerclick	+4 dBu @ Gain Centerclick	+4 dBu @ Gain Centerclick	+4 dBu @ Gain Centerclick
Filter Presets	2 EQ-Schalter: Stand Alone / System-Monitor u. Flat / Contour	2 EQ-Schalter: Stand Alone / System-Monitor u. Flat / Contour	2 EQ-Schalter: Stand Alone / System-Monitor u. Flat / Contour	Konfiguration: 1 Sub / 2 Sub
Netzanschluss	1x Kaltgeräteanschluss mit V-Lock Sicherungssystem	1x Kaltgeräteanschluss mit V-Lock Sicherungssystem	1x Kaltgeräteanschluss mit V-Lock Sicherungssystem	1x Kaltgeräteanschluss mit V-Lock Sicherungssystem
Leistungsaufnahme	3 A / 220-240 V (6 A / 100-120 V) Nenn-Stromverbrauch nach EN 60065	3 A / 220-240 V (6 A / 100-120 V) Nenn-Stromverbrauch nach EN 60065	3 A / 220-240 V (6 A / 100-120 V) Nenn-Stromverbrauch nach EN 60065	3 A / 220-240 V (6 A / 100-120 V) Nenn-Stromverbrauch nach EN 60065
Hochständerflansch	DuoTilt 3/7	DuoTilt 3/7	DuoTilt 3/7	M20
Flugpunkte	5x M8	5x M8	5x M8	-
Griffe	1, integriert	2, integriert	2, integriert	4, integriert
Gehäuse	Hybrid (MDF, Span)	Hybrid (MDF, Span)	Hybrid (MDF, Span)	Hybrid (MDF, Span)
Frontgitter	1 mm Metallgitter mit schwarzem Akustikschaumstoff	1 mm Metallgitter mit schwarzem Akustikschaumstoff	1 mm Metallgitter mit schwarzem Akustikschaumstoff	1 mm Metallgitter mit schwarzem Akustikschaumstoff
Oberfläche	Acryllack, schwarz	Acryllack, schwarz	Acryllack, schwarz	Acryllack, schwarz
Rollen	-	-	-	optional 100 mm
Optionales Zubehör	Schutzhülle, Tilt-Unit, Flugbügel	Schutzhülle, Tilt-Unit, Flugbügel	Schutzhülle, Tilt-Unit, Flugbügel	Schutzhülle, Vorbereitung für Rollenmontage, Tilt Unit
Abmessungen (BxHxT)	35 x 49 x 37 cm 13-25/32 x 19-9/32 x 14-9/16"	38 x 66 x 37 cm 14-31/32 x 25-63/64 x 14-9/16"	46,5 x 69 x 45,2 cm 18-3/8 x 27-5/32 x 17-51/64"	52,5 x 69 x 69,1 cm 20-45/64 x 27-5/32 x 27-13/64"
Gewicht	16 kg / 35,3 lbs.	19,7 kg / 43,4 lbs.	25,7 kg / 56,7 lbs	40,5 kg / 89,3 lbs

Consignes de sécurité importantes ! A lire avant de se connecter !

Ce produit a été construit conformément à la norme IEC 60065 par le fabricant et a quitté l'usine en bon état de marche. Pour garantir son intégrité et un fonctionnement sans risque, l'utilisateur se doit de suivre les conseils et les avertissements préconisés dans cette notice d'utilisation. En cas d'utilisation de ce produit dans un véhicule terrestre, un navire ou un avion, ou encore à une altitude supérieure à 2 000 mètres, il convient de prendre en considération les normes de sécurité suivantes, en plus de la norme IEC 60065.

ATTENTION : Afin d'éviter tout risque d'incendie et d'électrocution, n'exposez pas cet appareil à l'humidité ou à la pluie. N'ouvrez pas le boîtier ; les pièces se trouvant à l'intérieur ne nécessitent pas d'entretien de la part des utilisateurs. Adressez-vous à un spécialiste qualifié pour procéder à l'entretien de l'appareil.



Ce symbole, quel que soit l'endroit où il apparaît, vous signale des pièces sous tension non isolées dans le boîtier. Une tension suffisante pour présenter un risque d'électrocution.



Ce symbole, quel que soit l'endroit où il apparaît, vous signale des pièces sous tension accessibles depuis l'extérieur du boîtier. Tous les câbles extérieurs raccordés à un composant marqué de ce symbole doivent être de type préfabriqués et conformes aux spécifications du fabricant ou doivent avoir été installés par des spécialistes qualifiés.



Ce symbole, quel que soit l'endroit où il apparaît, vous signale des instructions importantes relatives à l'utilisation ou l'entretien de l'appareil à lire dans les documents l'accompagnant. Lisez la notice d'utilisation.



Ce symbole, quel que soit l'endroit où il apparaît, vous signale un risque de brûlure dû à une surface chaude. Ne touchez pas cette surface afin d'éviter de vous brûler.

- Lisez ces instructions.
- Conservez ces instructions.
- Prenez en compte tous les avertissements et toutes les instructions mentionnés sur le produit ou dans cette notice d'utilisation.
- N'utilisez pas ce produit à proximité de l'eau. Ne le placez pas près de l'eau, d'une baignoire, d'un bassin, d'un évier, d'une surface humide, d'une piscine ou d'une pièce humide.
- Ne mettez pas d'objet contenant du liquide sur l'appareil, par exemple, un vase, un verre ou une bouteille, etc.
- Nettoyez-le exclusivement avec un chiffon sec.
- N'enlevez pas le boîtier, ne serait-ce que partiellement.
- La tension de fonctionnement de l'appareil doit être réglée de manière à correspondre à la tension d'alimentation de l'endroit où vous vous trouvez. Si vous n'êtes pas sûr de connaître la tension d'alimentation, demandez à votre revendeur ou à la compagnie d'électricité locale.
- Avant de brancher l'appareil, assurez-vous systématiquement que l'installation électrique (alimentation) dispose de systèmes de protection suffisants contre les courts-circuits et les erreurs de mise à la terre des appareils raccordés.
- Afin de réduire le risque d'électrocution, vous ne devez jamais supprimer la mise à la terre de l'appareil. Utilisez uniquement le câble d'alimentation fourni avec le produit et maintenez la broche centrale de la prise (mise à la terre) en état de fonctionnement. Ne négligez pas la sécurité offerte par les prises polarisées ou avec mise à la terre. Assurez-vous que l'appareil est bien raccordé à une prise disposant d'une terre de protection et que celle-ci est en ordre de marche.
- Protégez le câble d'alimentation afin d'éviter que quelqu'un marche dessus ou qu'il soit pincé, notamment près de la prise, de la prise murale ou à la sortie de l'appareil même ! Les câbles d'alimentation doivent être tout le temps maniés avec précaution. Vérifiez régulièrement que le câble n'est pas fendu ou qu'il ne présente pas de signe d'usure, en particulier près de la prise et à la sortie de l'appareil.
- N'utilisez jamais de câble d'alimentation usé.
- Débranchez l'appareil en cas d'orage ou si vous ne l'utilisez pas pendant une longue période.
- Débranchez l'appareil uniquement en le tenant par la prise au niveau de la prise murale ou de la rallonge. L'appareil doit être placé de telle manière à ce qu'il puisse être débranché facilement à tout moment.
- Fusibles : si nécessaire, remplacez-les uniquement par des fusibles de type IEC127 (5x20 mm) afin de garantir une meilleure performance. Il est interdit d'utiliser des fusibles bricolés ou de raccourcir le porte-fusible. Seul un personnel qualifié est habilité à remplacer les fusibles.
- Confiez tous les travaux d'entretien à des spécialistes qualifiés. Il est nécessaire d'effectuer de tels travaux lorsque l'unité a été endommagée, comme par exemple dans les cas suivants :

- Lorsque le câble d'alimentation est endommagé ou effiloché.
- Si du liquide a pénétré ou un objet est tombé dans le boîtier.
- Si l'appareil a été exposé à la pluie ou à l'humidité.
- Si l'appareil ne fonctionne pas correctement alors que vous avez suivi toutes les instructions à la lettre.
- Si l'appareil est tombé ou que le boîtier est endommagé.
- En cas de raccordement de haut-parleurs à cet appareil, il faut veiller à ne pas descendre sous l'impédance minimale indiquée sur ledit appareil ou dans la présente notice. Les câbles employés doivent présenter une section suffisante, qui soit conforme aux réglementations locales en vigueur.
- Ne l'exposez pas directement aux rayons du soleil.
- Ne l'installez pas à proximité d'une source de chaleur, telle qu'un radiateur, une grille de chauffage, un four ou tout autre appareil susceptible de produire de la chaleur.
- Ne masquez pas les bouches d'aération. Installez l'appareil conformément aux instructions du fabricant. Il ne doit pas être placé dans un emplacement confiné, comme un rack ou une console, sauf si une ventilation suffisante est garantie.
- Si vous déplacez l'appareil, attendez qu'il soit à température ambiante avant de le démarrer, sinon de la condensation peut se former à l'intérieur et endommager l'appareil.
- Ne posez pas de d'objet à flamme ouverte sur l'appareil, comme par exemple une bougie allumée.
- L'appareil doit être placé à au moins 20 cm/8" pouces du premier mur.
- Utilisez l'appareil uniquement avec un chariot, un support, un trépied, des fixations ou une table recommandés par le fabricant ou vendus avec le produit. Si vous utilisez un chariot, maniez-le avec précaution afin d'éviter tout risque de blessure s'il se renverse.
- Utilisez uniquement les accessoires recommandés par le fabricant. Cette consigne concerne toute sorte d'accessoires, qu'il s'agisse de couvercles de protection, de sacs de transport, de supports ou de dispositifs de fixation au mur ou au plafond. Si vous fixez un accessoire à l'appareil, suivez toujours les instructions d'utilisation du fabricant. N'utilisez pas d'autres points de fixation que ceux préconisés par le fabricant.
- Cet appareil NE convient PAS aux personnes dont les capacités motrices, sensorielles ou mentales sont déficientes (y compris les enfants) ou aux personnes ne disposant pas de l'expérience ou des connaissances nécessaires pour faire fonctionner le présent appareil. Cet appareil doit dans tous les cas et être tenu constamment hors de portée des enfants de moins de quatre ans.
- N'insérez jamais d'objets à travers les grilles du boîtier, car ils pourraient toucher des pièces sous tension dangereuses ou provoquer un court-circuit pouvant causer un risque d'incendie ou d'électrocution.
- Cet appareil est capable de délivrer un niveau de pression acoustique de 90 dB, pouvant ainsi causer des troubles irréversibles de l'audition ! L'exposition continue à une nuisance sonore peut provoquer une perte d'audition permanente. Portez des protections auditives adéquates si vous vous exposez de manière continue à un tel niveau de pression acoustique.
- Le fabricant garantit la sécurité, la fiabilité et l'efficacité de fonctionnement de son produit uniquement si :
 - l'assemblage, l'extension, le réajustement, la modification ou la réparation de l'appareil ont été effectués par le fabricant ou par des personnes agréées pour ce genre de travaux.
 - l'installation électrique concernée est conforme aux normes IEC (ANSI).
 - l'unité est utilisée conformément aux instructions d'utilisation.
- Ce produit a été optimisé pour une utilisation avec des signaux musicaux ou voix. Une utilisation avec des signaux sinusoïdaux, rectangulaires ou autres signaux de mesure risque de l'endommager gravement.

Consignes de sécurité générales pour systèmes de haut-parleurs



Les systèmes de fixation doivent exclusivement être employés pour les systèmes de haut-parleurs fournis par le fabricant et avec les accessoires de montage tels qu'évoqués dans la notice de montage. Dans ce cadre, il convient de respecter scrupuleusement les indications de montage du fabricant. En cas d'utilisation non conforme d'accessoires ou d'installation d'accessoires de montage non d'origine, le dommage en résultant éventuellement ne sera pas couvert par la garantie et la responsabilité du fabricant ne pourra en aucun cas être engagée. Si des modifications sont apportées aux haut-parleurs, aux accessoires de montage, aux raccords et fixations ainsi qu'au matériel d'élingage, la portabilité du système ne pourra plus être garantie et la responsabilité du fabricant ne pourra en aucun cas être engagée. Toute réparation d'éléments de sécurité ne peut être effectuée que par le fabricant ou son représentant agréé, faute de quoi le permis d'exploitation s'éteint.



L'installation sera exclusivement réalisée par un spécialiste, et ce, uniquement dans des zones de montage présentant une capacité de charge suffisante, un point à vérifier notamment par la prise en compte des normes de construction appliquées. Le matériel de fixation prescrit par le constructeur dans la notice de montage (vis, chevilles, etc.) doit impérativement être employé. Les raccords boulonnés doivent être assurés contre tout desserrement au moyen de mesures appropriées.



Les installations fixes ou mobiles (ici les haut-parleurs, accessoires de montage compris) doivent être assurés contre la chute par deux dispositifs indépendants l'un de l'autre. Les éléments supplémentaires lâches ou les pièces se desserrant doivent pouvoir être retenus par des dispositifs adaptés. En cas d'utilisation de raccords, d'éléments de fixation et de matériel d'élingage, il convient de respecter les dispositions nationales en la matière. Le calcul du dimensionnement des dispositifs de sécurité requiert la prise en compte des charges dynamiques possibles (forces de recul).



En cas d'utilisation de trépieds, il faut surtout prendre en considération la charge maximale supportée. En outre, de par leur conception, la plupart des trépieds permettent uniquement de supporter des charges parfaitement centrées. Les trépieds doivent dès lors être disposés de façon stable. Il est nécessaire d'assurer les trépieds par des mesures supplémentaires dans les cas suivants (liste non exhaustive) :

- lorsque leur surface de pose n'offre pas une stabilité suffisante ;
- lorsque leur hauteur limite leur stabilité ;
- lorsque la force du vent risque d'être élevée ;
- lorsqu'ils risquent d'être heurtés par des personnes.

Des mesures particulières peuvent également s'avérer nécessaires, à titre préventif, pour se prémunir contre des comportements dangereux de la part de spectateurs. Les trépieds ne doivent donc pas être disposés dans des voies d'évacuation ou des passages réservés aux secours. En cas d'installation sur des voies de circulation, veiller à respecter la largeur de circulation requise, à verrouiller le secteur de façon adaptée et à mettre en place la signalisation idoine. Le montage et le démontage sont des phases qui présentent des risques particuliers. Il faut dès lors employer des moyens auxiliaires appropriés. Veiller également, lors de ces opérations, à respecter la législation nationale en la matière.



Lors du montage, il est indispensable de porter des équipements de sécurité adaptés (en particulier un casque, des gants et des chaussures de sécurité) et d'utiliser uniquement des dispositifs d'aide à l'ascension adaptés (échelles, échafaudages, etc.). La responsabilité dans ce domaine incombe uniquement à la société de montage exécutive.



ATTENTION !

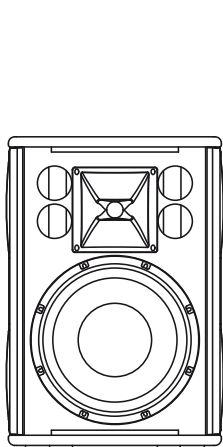
À l'issue du montage, il y a lieu de contre-vérifier la fixation ou la suspension du système (haut-parleurs et supports). L'exploitant des systèmes de haut-parleurs (fixes ou mobiles) est tenu de vérifier, ou de faire vérifier, tous les composants du système en fonction des réglementations en vigueur dans le pays concerné, et de faire éliminer sans délai les éventuels défauts constatés. En outre, nous recommandons fortement de constituer une documentation détaillée sur toutes les mesures d'inspection dans les registres de contrôle ou similaires. En cas d'utilisation prolongée ou permanente de haut-parleurs en plein air, tenir compte, pour la stabilité et la capacité portante des structures et surfaces, de l'influence de paramètres tels le vent, la neige, la glace et autres facteurs thermiques. Dans ce cas, il convient en particulier de dimensionner avec des réserves de sécurité suffisantes les points de support de charge de systèmes suspendus. Veiller également, lors de ces opérations, à respecter la législation nationale en la matière.

- Adressez-vous au fabricant pour savoir si votre produit convient à un usage en extérieur.

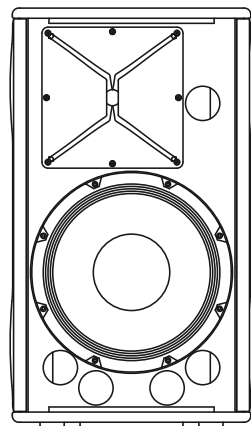


Les systèmes de haut-parleurs professionnels sont capables de produire des niveaux sonores dangereux pour la santé. Même des niveaux sonores a priori inoffensifs peuvent, en cas d'exposition prolongée, provoquer des pertes auditives irréversibles (à partir de 95 dBA SPL environ) ! C'est pourquoi nous conseillons à toutes les personnes soumises à des niveaux sonores élevés en raison de l'exploitation de systèmes de haut-parleurs, de porter des protections auditives professionnelles (bouchons d'oreilles ou casques antibruit). Fabricant : Stamer Musikanlagen GmbH, Magdeburger Str. 8, 66606 St. Wendel, Allemagne

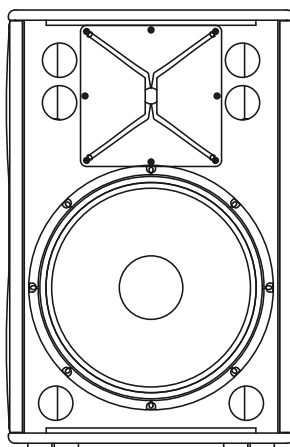
PULSAR



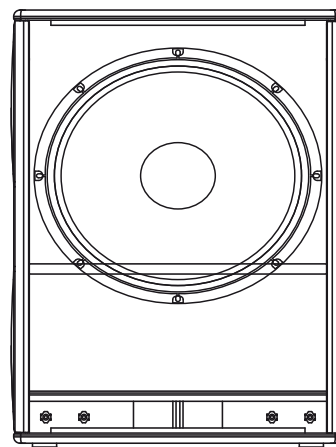
PL 110 FA



PL 112 FA



PL 115 FA



PL 118 Sub A

Bienvenue dans la famille HK Audio !

Nous vous remercions d'avoir opté pour un produit de notre marque, produit que nous avons développé et fabriqué pour vous, avec le plus grand soin.

Même si vous avez déjà une longue expérience des installations de sonorisation, vous constaterez que ce produit affiche certaines caractéristiques qui seront nouvelles pour vous. C'est pourquoi nous vous conseillons de lire la présente notice et de la conserver ensuite pour consultation ultérieure.

Nous vous souhaitons le meilleur des sons !

L'équipe HK Audio

Garantie

Veuillez enregistrer chaque enceinte active PULSAR – et vous obtiendrez une prolongation de garantie gratuite pouvant aller jusqu'à 5 ans ! Vous pouvez, pour ce faire, utiliser notre service d'enregistrement en ligne convivial sur notre site www.hkaudio.com.

Si vous n'avez pas la possibilité de vous inscrire en ligne, veuillez remplir entièrement et lisiblement la carte de garantie ci-jointe et nous la renvoyer par courrier ou par fax.

Cet enregistrement sera uniquement valable si la carte ad hoc dûment remplie a été retournée à HK AUDIO dans les 30 jours qui suivent la date d'achat ou si l'enregistrement a été effectué sur Internet dans les délais impartis.

Par ailleurs, nous aimerions savoir où et par qui nos appareils sont utilisés. Ces informations nous permettent en effet d'améliorer encore la conception de nos produits. Bien entendu, ces données resteront confidentielles, conformément à la législation en vigueur.

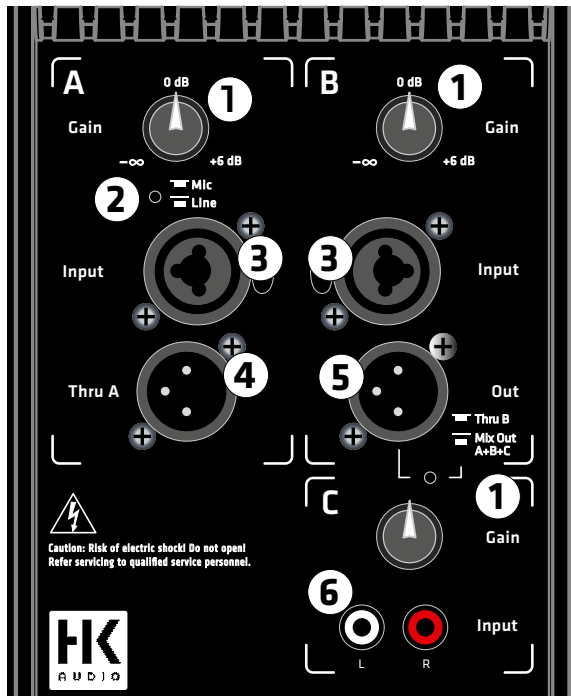
Avec tous nos remerciements

HK AUDIO
Service technique
Postfach 1509
66959 St. Wendel, Allemagne
Fax: +49 6851 905 100

1 PL 110 FA / PL 112 FA / PL 115 FA

Les satellites actifs de la série PULSAR sont dotés de trois canaux d'entrée (A, B, C) qui peuvent être exploités en parallèle et indépendamment les uns des autres.

1.1 Commandes



1 Gain

Ces potentiomètres permettent d'adapter le niveau de chaque entrée A, B ou C.

2 Interrupteur Mic/Line (uniquement entrée A)

En cas de raccordement d'un micro, vous optimiserez la sensibilité en entrée via la position « Mic » de cet interrupteur. Celle-ci augmente alors de 30 dB.

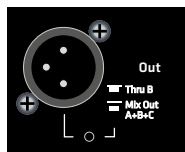
3 Entrée Input A/B

Douille d'entrée XLR/jack combinée symétrisée électroniquement, accueillant le signal d'entrée.

4 Thru A

Thru A est une sortie XLR parallèle symétrisée permettant de transmettre les signaux d'entrée de l'entrée A (par exemple à un moniteur actif).

5 Out (Thru B / Mix Out)



Cette douille Out du canal B est une sortie XLR symétrisée qui remplit la double fonction suivante :

Position Thru B :

Dans ce cas, la douille est une sortie parallèle permettant la transmission exclusive des signaux d'entrée d'Input B à un moniteur actif, par exemple.

Position Mix Out A+B+C :

En mode Mix Out, cette sortie permet de poursuivre la boucle du signal total (mixé) des entrées A, B et C. Le signal total peut se régler via les potentiomètres Gain correspondants.

6 Input (canal C)

Douilles Cinch pour signal d'entrée stéréo. Canal gauche et droit sont ici regroupés en une somme mono.

7 DEL d'état

La DEL bicolor indique l'état de l'enceinte active PULSAR (vert = Power On (alimentation active), rouge = erreur).

8 Marche/arrêt

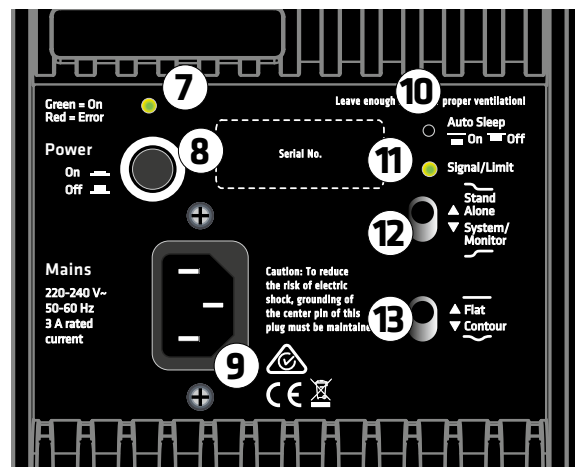
Interrupteur marche/arrêt du haut-parleur actif PULSAR. Lorsque le système est activé, la DEL d'état s'allume en vert.

9 Prise secteur (Mains)

Sur la prise secteur, branchez la fiche correspondante du cordon secteur avec prise de terre (fourni avec l'appareil).

Attention ! Alimentation coupée, l'appareil continue à consommer 0,5 watt environ.

Conseil : Les satellites actifs PULSAR sont équipés de prises d'entrée secteur verrouillables de type V-Lock. Le raccordement verrouillable (VOLEX ou de conception similaire, disponible en option) permet d'éviter tout débranchement accidentel.



10 Fonction Auto Sleep

Les satellites de la série PULSAR intègrent une fonction Auto Sleep désactivable. En position « On », l'étage de sortie bascule en mode veille (consommation : 0,5 watt environ), en l'absence de signal pendant 180 minutes. Pour ramener les haut-parleurs PULSAR en mode de fonctionnement, coupez l'alimentation au niveau de l'interrupteur marche/arrêt (Power) pendant 5 secondes, puis rallumez. En position « Off », la fonction Auto Sleep est désactivée. En d'autres termes, les enceintes restent activées en permanence.

11 Signal / Limit

Cette DEL bicolor reste éteinte tant qu'aucun signal n'est présent. En présence d'un signal d'entrée, elle s'allume en vert. Lorsque des crêtes de signal sont atteintes en cas de volume élevé, la DEL s'allume en rouge. Attention ! Il ne s'agit pas ici d'une Clip-LED. Elle ne devra s'allumer en rouge que sur de brèves périodes, car elle montre uniquement que les limiteurs fonctionnent. Si la DEL de signal reste toujours rouge en cas de crête de signal et qu'aucun signal audio n'est audible, vérifiez le niveau d'entrée de la source de signal, puis réduisez le volume au potentiomètre correspondant (Gain) sur votre enceinte. Si la DEL d'état reste allumée en rouge de façon durable, c'est qu'il y a dysfonctionnement.

12 Interrupteur Stand Alone / System/Monitor



Optimise la réponse en fréquence de l'enceinte active PULSAR pour le cas d'application souhaité. La position « System/Monitor » sert à l'utilisation du satellite avec un sub-woofer supplémentaire ou en mode séparé, pour l'emploi d'un moniteur. En position « Stand Alone », la réponse en fréquence des enceintes actives PULSAR est adaptée à l'utilisation en tant que haut-parleur autonome/pleine gamme par extension de la plage des basses.

13 Interrupteur Flat / Contour



En position « Flat », cet interrupteur permet d'optimiser la réponse en fréquence sur une restitution linéaire, ce qui convient alors idéalement pour une utilisation live. En position « Contour », les médiums sont assouplis, ce qui permet d'optimiser, sur de courtes distances, les signaux de charge moyenne fortement comprimés.

1.2 Raccordements et commandes

À l'aide d'un câble pour micro XLR/jack, raccordez les câbles de signaux (Monitor Out, Line Out ou autres) provenant de votre source sonore aux prises d'entrée A et B. Si vous souhaitez brancher un micro directement sur l'enceinte active PULSAR, sans passer par une table de mixage, vous utiliserez la douille d'entrée symétrique Input A et placerez l'interrupteur Mic/Line en position « Mic ». Dans ce cas, utilisez également un câble micro XLR/jack.

1.3 Mise en service

- Assurez-vous que l'enceinte active PULSAR est coupée.

Attention ! Veillez à ce que la tension indiquée sur l'appareil corresponde à la tension secteur disponible. En effet, le raccordement à une tension secteur incorrecte est susceptible de détruire l'électronique de l'enceinte active.

- Coupez les potentiomètres Gain (Gain A/B/C) (les amener en butée de gauche).
- Veillez à ce que, lors du raccordement d'un signal Line, tous les autres composants raccordés soient préalablement sous tension. Concrètement, la table de mixage raccordée ainsi que toutes les autres sources de signal (claviers, amplis d'instruments, effets, etc.) doivent avoir été activés. Veillez à ce que l'interrupteur Mic/Line de l'enceinte active PULSAR soit correctement positionné (standard = Line). Le haut-parleur actif PULSAR doit toujours être mis sous tension en dernier, c'est-à-dire après tous les autres composants. De la même façon, c'est lui qui sera coupé en premier, avant tous les appareils raccordés.
- Après mise sous tension via l'interrupteur Power, le ventilateur tourne brièvement (autocontrôle du système), puis se coupe après 5 secondes environ. Le ventilateur est à déclenchement thermostatique. En d'autres termes, il tourne uniquement en cas de volumes très élevés et se régule ensuite en fonction de la température (déterminée par l'état de charge). Lors de la phase d'autocontrôle du système, la DEL d'état s'allume d'abord en rouge, avant de passer au vert si aucun défaut n'est détecté et si la tension secteur est disponible.

1.4 Réglages

Adaptation du volume via les potentiomètres Gain

Vous agirez sur ces potentiomètres et appuierez sur l'interrupteur Mic/Line (canal A uniquement) pour adapter le signal d'entrée aux signaux Line et micro. En cas d'apparition de distorsions ou de saturations, vérifiez les sources de signal et réduisez si possible le signal de sortie correspondant.

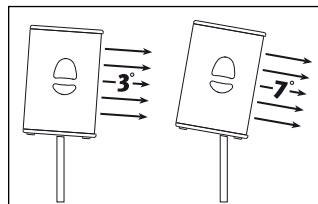
Amenez le potentiomètre Gain Line en position centrale (= 0 dB / clic central). Si vous utilisez une table de mixage pour commander le système actif PULSAR, privilégiez cette position. Si vous raccordez directement un lecteur de CD ou, par exemple, un clavier, vous pouvez, selon la force du signal, tourner le potentiomètre entièrement vers la droite, afin d'obtenir le volume maximal. Employez l'entrée C pour relier aussi, directement, des lecteurs portables aux satellites PULSAR.

Réglages des filtres

Réglez les filtres des satellites PULSAR via les interrupteurs Stand Alone / System/Monitor et Flat/Contour, selon le cas d'application ou vos préférences (voir point 1.1).

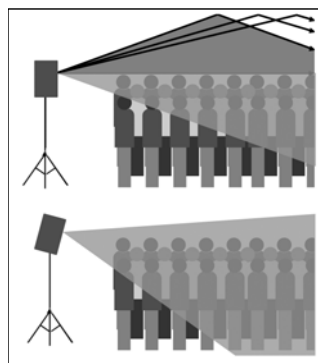
1.5 Orientation

HK Audio DuoTilt™ 3/7 (PL 110 FA / PL 112 FA / PL 115 FA)



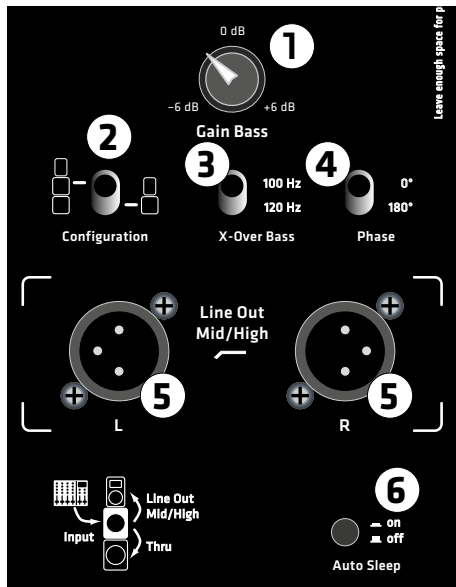
Grâce au système HK Audio DuoTilt™ 3/7, les enceintes actives PULSAR peuvent être disposées horizontalement sur un pied spécifique. On réduit, voire on évite de cette façon la réflexion perturbatrice du plafond. Grâce à l'ouverture avant du DuoTilt™, l'angle d'inclinaison atteint 7° et grâce à l'ouverture arrière, 3°.

Si un haut-parleur actif PULSAR doit être monté sur un pied d'enceinte entièrement déployé ou sur une entretoise, il convient d'utiliser l'angle d'inclinaison de 7°. Ce réglage convient particulièrement bien lorsque le public est peu nombreux et qu'il est placé à proximité immédiate des haut-parleurs. Si le nombre d'auditeurs est plus important et que ceux-ci se trouvent plus loin des enceintes, l'angle de 3° du DuoTilt™ est préférable.



2 PL 118 Sub A

2.1 Commandes





1 Potentiomètre Gain Bass

Ce potentiomètre permet de régler le volume du subwoofer. En position médiane, le volume du caisson de basses s'adapte aux haut-parleurs actifs PULSAR de façon à procurer une impression d'homogénéité sonore grâce à l'équilibre basses/médiums-aigus. En tournant le potentiomètre Gain Bass vers la gauche ou vers la droite, vous pouvez, selon les besoins et en fonction des conditions imposées par la salle, réduire ou augmenter le volume sonore du caisson de basses (plage de réglage : +/-6 dB).

2 Commutateur de configuration

Ce commutateur permet d'optimiser le subwoofer PL 118 Sub A pour un fonctionnement avec d'autres produits de la gamme PULSAR.

 Commutateur en position basse, le sub actif PULSAR est optimisé pour une utilisation avec un haut-parleur actif PULSAR.

 Commutateur en position haute, le fonctionnement pour deux subs actifs PULSAR et un satellite actif PULSAR est optimisé. Le commutateur permet alors de relever le niveau des deux sorties Line Out Mid/High, ce qui permet d'atteindre, en cas d'utilisation de deux subs actifs PULSAR (donc avec une augmentation du niveau de 6 dB), un différentiel de volume équilibré entre caisson de basses et satellites.

3 Commutateur X-Over Bass

Le commutateur X-Over permet de régler entre 100 Hz et 120 Hz la fréquence de coupure supérieure du diviseur de fréquence intégré du subwoofer PL 118 Sub A. Celle-ci dépend des conditions imposées par la salle et du type de prestation.

4 Commutateur de phase

Le commutateur de phase permet, par modification de la polarité, d'adapter le subwoofer PL 118 Sub A à la position de phase des satellites raccordés (de 0° à 180°). En cas d'utilisation avec des satellites PULSAR, il doit être ramené à 0°. En cas d'utilisation avec d'autres haut-parleurs, il peut s'avérer nécessaire, dans certaines circonstances, de modifier la polarité.

5 Sorties Line Out Mid/High L/R

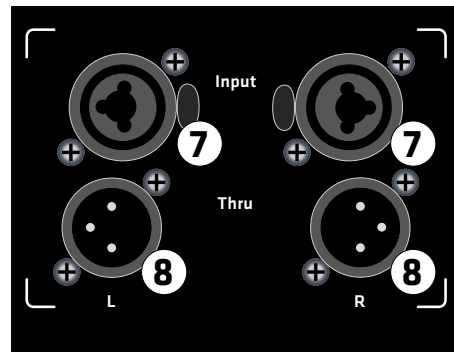
Il s'agit de deux douilles de sortie XLR (gauche/droite) symétrisées électriquement, prévues pour le raccordement de satellites PULSAR.

6 Fonction Auto Sleep

Le Subwoofer de la série PULSAR intègre une fonction Fonction Auto Sleep (mise en veille automatique) désactivable. En position « On », l'étage de sortie bascule en mode veille (consommation : 0,5 watt environ), en l'absence de signal pendant 180 minutes. Pour ramener le subwoofer PULSAR en mode de fonctionnement, coupez l'alimentation au niveau de l'interrupteur marche/arrêt (Power) pendant 5 secondes, puis rallumez. En position « Off », la fonction Fonction Auto Sleep est désactivée. En d'autres termes, le subwoofer reste activé en permanence.

7 Input L/R

Douilles XLR/jack combinées, symétrisées électriquement, pour les signaux d'entrée.



8 Thru L/R

Sorties parallèles pour la transmission des signaux d'entrée gauche/droite (Input L/R).

9 DEL d'état

Cette DEL s'allume en vert lorsque l'interrupteur marche/arrêt est sur « On » et qu'une connexion secteur est présente.

Cette DEL s'allume en rouge lorsque le signal d'entrée de l'étage de sortie est trop élevé ou qu'un dysfonctionnement est présent. Si la DEL émet une lumière rouge par intermittence, elle indique simplement l'intervention des limiteurs en cas de pic de niveau.

Attention ! Si la DEL Power/Limiter reste rouge durablement alors que l'appareil est en fonctionnement, c'est que le système subit une surcharge. Vous devez alors absolument réduire le niveau de signal ! De même, si la DEL reste allumée en rouge en permanence alors qu'aucun signal audio n'est présent, c'est qu'il y a dysfonctionnement.

10 Interrupteur marche/arrêt

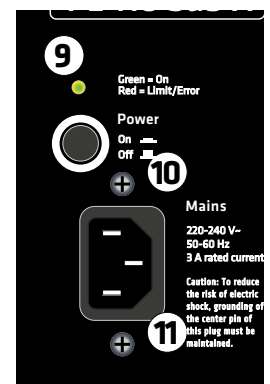
Interrupteur marche/arrêt du subwoofer actif PULSAR. Lorsque le système est activé, la DEL Power s'allume en vert.

11 Prise Mains

La prise secteur accueille la fiche correspondante du cordon secteur (fourni avec l'appareil).

Attention ! Alimentation coupée, l'appareil continue à consommer 0,5 watt environ.

Conseil : Le sub actif PULSAR est équipé de prises d'entrée secteur verrouillables de type V-Lock. Le raccordement verrouillable (VOLEX ou de conception similaire, disponible en option) permet d'éviter tout débranchement accidentel.



2.2 Raccordements et commandes

À l'aide d'un câble XLR/jack, raccordez les câbles de signaux (Monitor Out, Line Out ou autres) de votre table de mixage aux prises Input symétrisées gauche/droite (L/R). Raccordez les satellites actifs concernés via les sorties XLR « Line Out Mid/High Left/Right ». Pour poursuivre la boucle du signal pleine gamme sur d'autres subwoofers ou haut-parleurs actifs, vous utiliserez les deux douilles Thru.

2.3 Mise en service

- Assurez-vous que le subwoofer PL 118 Sub A est coupé.

Attention ! Veillez à ce que la tension indiquée sur l'appareil corresponde à la tension secteur disponible. En effet, le raccordement à une tension secteur incorrecte est susceptible de détruire l'électronique de l'enceinte active.

- Amenez le potentiomètre Gain Bass en position centrale (0 dBV / clic central).
- Réglez le commutateur de configuration en fonction du nombre de subwoofers PL 118 Sub A employés.
- Veillez à ce que tous les autres composants raccordés soient préalablement sous tension. Concrètement, la table de mixage raccordée ainsi que toutes les autres sources de signal (claviers, amplis d'instruments, effets, etc.) doivent avoir été activés. Les haut-parleurs actifs PULSAR doivent toujours être raccordés aux douilles « Line Out Mid/High ». Ils doivent l'être après branchement de tous les autres composants. Inversement, au débranchement, couper d'abord tous les composants PULSAR (tourner vers la gauche les potentiomètres Gain de toutes les entrées), puis les débrancher avant tous les autres appareils raccordés.
- Après mise sous tension via l'interrupteur Power, le ventilateur tourne brièvement (autocontrôle du système), puis se coupe après 5 secondes environ. Le ventilateur est à déclenchement thermostatique. En d'autres termes, il tourne uniquement en cas de volumes très élevés et se régule ensuite en fonction de la température. Lors de la phase d'autocontrôle du système, la DEL d'état s'allume d'abord en rouge, avant de passer au vert si aucun défaut n'est détecté et si la tension secteur est disponible.

2.4 Réglages

Adaptation du volume via le potentiomètre Gain Bass

Ce potentiomètre permet d'adapter le volume du subwoofer PL 118 Sub A à la situation de sonorisation. En tournant le potentiomètre Gain Bass vers la gauche ou vers la droite, vous pouvez, selon les besoins, réduire ou augmenter le volume sonore du caisson de basses (plage de réglage : +/-6 dB). En cas d'apparition de distorsions ou de saturations, vérifiez les sources de signal et réduisez si possible le signal de sortie correspondant.

Adaptation de la fréquence de coupure au moyen du commutateur X-Over Bass

Au moyen de ce commutateur, adaptez la plage de transmission du subwoofer PL 118 Sub A au signal à transmettre ou à l'environnement. Les sorties Line Out Mid/High Left/Right ne sont pas concernées par ce réglage.

Adaptation de la position de phase via le commutateur de phase

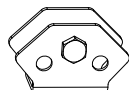
Ce commutateur permet d'adapter la position de phase entre le subwoofer PL 118 Sub A et le satellite employé. En cas d'utilisation de haut-parleurs actifs PULSAR, le commutateur de phase doit être placé sur 0°. En cas d'utilisation avec d'autres satellites, il peut s'avérer nécessaire, dans certaines circonstances, de modifier la polarité. Dans ce cas, le commutateur doit être amené en position 180°.

3 Applications

Voir pages 42-45.

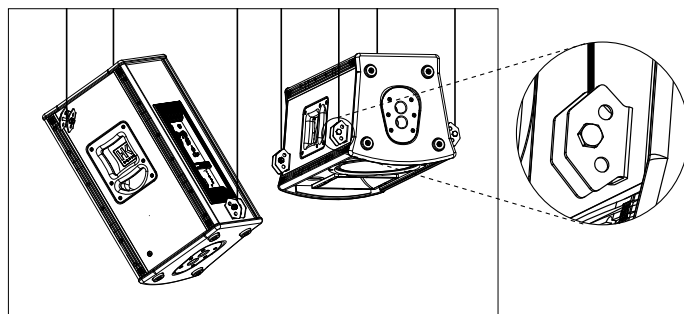
4 Accessoires d'origine HK Audio

Ancrage AP-8

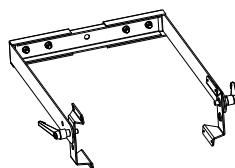


Capable de supporter jusqu'à 360 kg (WLL), le dispositif d'ancrage AP-8 permet un montage sûr de haut-parleurs, via des points de fixation aérienne M8, à des câbles d'acier ou à des chaînes.

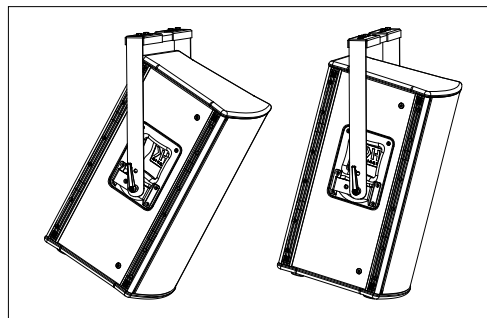
Une fois monté, l'AP-8 est indévissable et offre une grande surface d'appui. L'emploi de trois dispositifs d'ancrage permet de porter jusqu'à 45° l'angle d'inclinaison maximal prévu d'une enceinte. Avec quatre AP-8, les PL 110 FA, PL 112 FA et PL 115 FA peuvent même être suspendues à l'horizontale (convient également pour les satellites pleine gamme des séries PREMIUM PR:0 et LINEAR 5 de HK AUDIO).



Étrier d'inclinaison TB-1



L'étrier d'inclinaison TB-1 (convenant également pour les satellites pleine gamme de la série LINEAR 5) permet de fixer rapidement les enceintes pleine gamme PL 112 FA et PL 115 FA à des traverses, via des demi-coquilles ou des colliers à fixation rapide (M12), et de les orienter facilement, vers la verticale ou l'horizontale, selon le cas d'application. Ce système permet dès lors une suspension depuis le plafond, un montage via équerres murales ou encore une pose sur pieds. Une fois le montage effectué, l'angle d'inclinaison peut être réglé à la valeur souhaitée, puis l'ensemble fixé en place via les deux robustes leviers de serrage.



5 Caractéristiques techniques

Modèle	PL 110 FA	PL 112 FA	PL 115 FA	PL 118 Sub A
SPL max. à 10% de THD	128 dB half space	129 dB half space	129 dB half space	127 dB half space
SPL max. en crête à 10% de THD	134 dB half space	135 dB half space	135 dB half space	130 dB half space
SPL max. calculée	136 dB half space	137 dB half space	137 dB half space	131 dB half space
Réponse en fréquence +/- 3 dB	70 Hz – 16 kHz	70 Hz – 16 kHz	58 Hz – 16 kHz	44 Hz – X-Over
Réponse en fréquence -10 dB	58 Hz – 18 kHz	56 Hz – 18 kHz	49 Hz – 18 kHz	35 Hz – X-Over
Puissance de l'étage de sortie	1.000 watts	1.000 watts	1.000 watts	600 watts
Woofers d'étage de sortie	650 watts sous 4 ohms	650 watts sous 4 ohms	650 watts sous 4 ohms	600 watts sous 4 ohms
Moteur d'étage de sortie	350 watts sous 4 ohms	350 watts sous 4 ohms	350 watts sous 4 ohms	-
Préampli	Module DSP (Time Alignment)	Module DSP (Time Alignment)	Module DSP (Time Alignment)	Analogique
Type d'étage de sortie	Classe D - bi-amplifié	Classe D - bi-amplifié	Classe D - bi-amplifié	Classe D
Circuits de protection actifs	Protection contre : sous-tensions, surchauffe, courts-circuits, surtensions ; filtre Subsonic ; limiteurs : crête, RMS, Multiband ; Look Ahead Temperature Control	Protection contre : sous-tensions, surchauffe, courts-circuits, surtensions ; filtre Subsonic ; limiteurs : crête, RMS, Multiband ; Look Ahead Temperature Control	Protection contre : sous-tensions, surchauffe, courts-circuits, surtensions ; filtre Subsonic ; limiteurs : crête, RMS, Multiband ; Look Ahead Temperature Control	Protection contre : sous-tensions, surchauffe, courts-circuits, surtensions ; Look Ahead Temperature Control ; limiteur de crête
Haut-parleur de basses	10" avec technologie Advanced Cooling	12" avec technologie Advanced Cooling	15" avec technologie Advanced Cooling	18" avec technologie Advanced Cooling
Moteur d'aigus	1"	1"	1"	-
Caractéristiques de pavillon	90° x 55° pavillon CD	90° x 55° pavillon CD	90° x 55° pavillon CD	-
Fréquence de coupure active	2,5 kHz, 24 dB/octave	2,5 kHz, 24 dB/octave	2,5 kHz, 24 dB/octave	100/120 Hz sélectionnable, 24 dB/oct.
Connexions	2x XLR In combinée, 1x Cinch In stéréo, 2x XLR Thru, 1x XLR Mix Out	2x XLR In combinée, 1x Cinch In stéréo, 2x XLR Thru, 1x XLR Mix Out	2x XLR In combinée, 1x Cinch In stéréo, 2x XLR Thru, 1x XLR Mix Out	2x XLR In combinée, 2x XLR Thru, 2x XLR Mid/High-Out
Sensibilité en entrée	+4 dBu à Gain clic central	+4 dBu à Gain clic central	+4 dBu à Gain clic central	+4 dBu à Gain clic central
Presets de filtres	2 commutateurs d'égalisation : Stand Alone / System-Monitor et Flat / Contour	2 commutateurs d'égalisation : Stand Alone / System-Monitor et Flat / Contour	2 commutateurs d'égalisation : Stand Alone / System-Monitor et Flat / Contour	Configuration : 1 sub / 2 subs
Raccordement au secteur	1x avec prise avec terre et système de verrouillage V-Lock	1x avec prise avec terre et système de verrouillage V-Lock	1x avec prise avec terre et système de verrouillage V-Lock	1x avec prise avec terre et système de verrouillage V-Lock
Puissance absorbée	3 A / 220-240 V (6 A / 100-120 V), consommation de courant nominale selon norme EN 60065	3 A / 220-240 V (6 A / 100-120 V), consommation de courant nominale selon norme EN 60065	3 A / 220-240 V (6 A / 100-120 V), consommation de courant nominale selon norme EN 60065	3 A / 220-240 V (6 A / 100-120 V), consommation de courant nominale selon norme EN 60065
Embase pour pied	DuoTilt 3/7	DuoTilt 3/7	DuoTilt 3/7	M20
Points de fixation pour suspension	5x M8	5x M8	5x M8	-
Poignées	1, intégrées	2, intégrées	2, intégrées	4, intégrées
Caisse	Hybride (MDF et panneaux de particules)	Hybride (MDF et panneaux de particules)	Hybride (MDF et panneaux de particules)	Hybride (MDF et panneaux de particules)
Grille	Grille métallique 1 mm avec mousse acoustique noire	Grille métallique 1 mm avec mousse acoustique noire	Grille métallique 1 mm avec mousse acoustique noire	Grille métallique 1 mm avec mousse acoustique noire
Surface	Laque acrylique noire	Laque acrylique noire	Laque acrylique noire	Laque acrylique noire
Roulettes	-	-	-	100 mm, en option
Accessoires (en option)	Housse de protection, Tilt Unit, étrier pour suspension	Housse de protection, Tilt Unit, étrier pour suspension	Housse de protection, Tilt Unit, étrier pour suspension	Housse de protection, préinstallation pour montage de roulettes, Tilt Unit
Dimensions (l x H x P)	35 x 49 x 37 cm 13-25/32 x 19-9/32 x 14-9/16"	38 x 66 x 37 cm, 14-31/32 x 25-63/64 x 14-9/16"	46,5 x 69 x 45,2 cm 18-3/8 x 27-5/32 x 17-51/64"	52,5 x 69 x 69,1 cm 20-45/64 x 27-5/32 x 27-13/64"
Poids	16 kg / 35,3 lbs.	19,7 kg / 43,4 lbs	25,7 kg / 56,7 lbs	40,5 kg / 89,3 lbs

Istruzioni di sicurezza importanti.

Leggere prima di effettuare il collegamento!

Il presente prodotto è stato fabbricato dal produttore in conformità alla norma IEC 60065 ed è uscito dallo stabilimento in perfette condizioni di funzionamento. Per preservare tali condizioni e garantirne l'uso sicuro, l'utente deve attenersi alle indicazioni e alle avvertenze riportate nelle istruzioni per l'uso. Se volete usare questo prodotto su veicoli, a bordo di navi o di aerei oppure ad altitudini superiori a 2000 m dovete badare alle rispettive norme di sicurezza suppletive alla norma IEC 60065.

AVVISO: Per evitare il rischio di incendio o folgorazione, non esporre l'apparecchio ad umidità o pioggia. Non aprire l'involucro poiché al suo interno non vi sono parti riparabili dall'utente. Per la riparazione rivolgersi a personale tecnico qualificato.



Questo simbolo segnala la presenza all'interno dell'involucro di tensione pericolosa priva di isolamento sufficientemente alta da costituire un pericolo di folgorazione.



Questo simbolo segnala la presenza di tensione pericolosa accessibile dall'esterno. Il cablaggio esterno collegato ad un qualunque morsetto contrassegnato da questo simbolo deve essere un cavo preconfezionato conforme ai requisiti indicati dal produttore o un cablaggio installato da personale qualificato.



Questo simbolo segnala importanti istruzioni per l'uso e la manutenzione nella documentazione allegata. Leggere il manuale.



Questo simbolo ha il seguente significato: Attenzione! Superficie calda! Non toccare per evitare scottature.

- Leggere queste istruzioni.
- Conservare queste istruzioni.
- Attenersi a tutti gli avvisi e istruzioni riportati sul prodotto e nel manuale.
- Non utilizzare il prodotto vicino all'acqua. Non collocare il prodotto vicino ad acqua, vasche, lavandini, zone umide, piscine o stanze con presenza di vapore.
- Non collocare sul prodotto oggetti contenenti liquidi, quali vasi, bicchieri, bottiglie ecc.
- Pulire solo con un panno asciutto.
- Non togliere alcun coperchio o parti dell'involucro.
- La tensione di esercizio prescritta per il prodotto deve corrispondere alla tensione di alimentazione della rete locale. In caso di dubbi sul tipo di alimentazione disponibile, rivolgersi al proprio rivenditore o all'azienda di fornitura elettrica locale.
- Prima di collegare l'apparecchio, verificate che l'impianto elettrico sia munito di adatti dispositivi di protezione contro corto circuito e errori della messa a terra in apparecchi collegati.
- Per ridurre il rischio di folgorazione, la messa a terra del prodotto deve essere mantenuta. Utilizzare solo il cavo di alimentazione in dotazione al prodotto e mantenere sempre in funzione il connettore centrale (di terra) del collegamento alla rete. Non escludere la funzione di sicurezza del connettore polarizzato o di messa a terra. Collegare l'apparecchio soltanto a prese di corrente con messa in terra conforme alle norme vigenti.
- Proteggere il cavo di alimentazione affinché non venga calpestato o pizzicato, in particolare in corrispondenza delle prese e degli innesti e nel punto di uscita dal dispositivo. Maneggiare sempre con cura i cavi di alimentazione. Controllare periodicamente la presenza di tagli o usura sui cavi, soprattutto all'altezza della presa e nel punto di uscita dal dispositivo.
- Non utilizzare mai il cavo di alimentazione se danneggiato.
- Scollegare il prodotto in caso di temporale o di lunghi periodi di inutilizzo.
- Il prodotto si scollega completamente dall'alimentazione di rete solo staccando la spina di alimentazione dall'unità o dalla presa a muro. Il prodotto va collocato sempre in modo che sia possibile scollegarlo dall'alimentazione con facilità.
- Fusibili: per garantire prestazioni ottimali, i fusibili utilizzabili come ricambio devono essere di tipo IEC127 (5x20 mm) e dell'ampereaggio nominale richiesto. È vietato utilizzare fusibili riparati o cortocircuitare il portafusibili. Fate sostituire i fusibili soltanto da un tecnico qualificato.
- Per tutte le operazioni di riparazione, rivolgersi a personale qualificato. L'unità va riparata nel caso abbia subito danni, come nei seguenti casi:

- Il cavo o la presa di alimentazione sono danneggiati o usurati.
- È penetrato del liquido o degli oggetti all'interno del prodotto.
- Il prodotto è stato esposto a pioggia o umidità.
- Il prodotto non funziona correttamente seguendo le istruzioni.
- Il prodotto ha subito una caduta o l'armadio è stato danneggiato.
- Quando collegate altoparlanti badate di non scendere sotto l'impedenza minima dichiarata sull'apparecchio oppure in questo manuale. Usate sempre cavi dello spessore adatto e corrispondenti alle vigenti norme locali.
- Non esporre ai raggi solari diretti.
- Non installare accanto a fonti di calore quali radiatori, bocchette di diffusione d'aria calda, fornelli o altri dispositivi che generano calore.
- Non chiudere le aperture di ventilazione. Installare l'unità seguendo le istruzioni fornite dal produttore. Il prodotto non è adatto all'installazione ad incasso, ad esempio in un rack, a meno di non garantire un'adeguata ventilazione.
- Quando viene spostato all'interno di un locale, attendere sempre che il dispositivo, se freddo, raggiunga la temperatura ambiente. Qualora venga utilizzato senza che si sia riscaldato, sussiste il rischio di formazione di condensa al suo interno e di conseguenti danni.
- Non collocare sul prodotto fiamme libere, come ad esempio candele accese.
- Il dispositivo va collocato ad almeno 20 cm/8" di distanza dalle pareti.
- Utilizzare solo in abbinamento al carrello, supporto, piedistallo, staffa o tavola specificati dal produttore o venduti insieme al prodotto. Qualora si utilizzi un carrello, prestare attenzione nello spostare il carrello/la combinazione di prodotto per evitare lesioni causate dall'inciampamento.
- Utilizzare solo accessori consigliati dal produttore. Tale prescrizione si applica a tutti i tipi di accessori, ad esempio coperchi di protezione, borse per il trasporto, supporti, dispositivi per il montaggio a parete o a soffitto, ecc. In caso di applicazione di qualsiasi tipo di accessorio al prodotto, osservare sempre le istruzioni per l'uso fornite dal produttore. Non utilizzare mai punti di fissaggio sul prodotto diversi da quelli indicati dal produttore.
- Questo apparecchio NON è adatto all'uso da parte di persone (compresi i bambini) con capacità fisiche, mentali o sensoriali limitate o da persone prive della necessaria esperienza e/o conoscenza. Tenere sempre l'apparecchio al di fuori della portata dei bambini di età inferiore ai 4 anni.
- Non inserire mai oggetti di alcun tipo all'interno del prodotto attraverso le fessure dell'armadio, poiché potrebbero toccare punti con presenza di tensione pericolosa o causare il cortocircuito dei componenti, con il conseguente rischio di incendio o folgorazione.
- Questo prodotto genera livelli di pressione sonora superiori a 90 dB in grado di causare danni permanenti all'udito. L'esposizione a livelli di rumore estremamente elevati può causare la perdita permanente dell'udito. In caso di esposizione continua, indossare protezioni per l'udito.
- Il produttore garantisce la sicurezza, l'affidabilità e l'efficienza del prodotto solo se:
 - l'assemblaggio, l'ampliamento, la reimpostazione, le modifiche o le riparazioni sono eseguiti dal produttore o da personale autorizzato.
 - l'impianto elettrico dell'area interessata è conforme ai requisiti specificati nelle norme IEC (ANSI).
 - l'unità è utilizzata secondo le istruzioni per l'uso.
- Questo prodotto è stato concepito per un'ottima riproduzione di segnali vocali e musicali. Una riproduzione di segnali sinusoidali, onde quadre o altri segnali di misurazione a livelli elevati può gravemente danneggiare l'apparecchio.

Avvisi di sicurezza per sistemi di altoparlanti



Usate soltanto sistemi di montaggio autorizzati dal produttore per il rispettivo sistema di altoparlanti. Seguite attentamente le istruzioni di montaggio ed usate soltanto accessori di montaggio omologati. È escluso qualsiasi diritto di garanzia in caso di montaggio improprio o se vengono usati accessori di montaggio non omologati. Modificazioni agli altoparlanti, agli accessori di montaggio, agli elementi di connessione e di fissaggio e alle imbracature potrebbero alterare la stabilità del sistema e faranno decadere ogni forma di garanzia. La riparazione di componenti rilevanti dal punto di vista della sicurezza deve venir eseguita soltanto dal produttore o da un suo rappresentante autorizzato – altrimenti decadrà ogni forma di garanzia.



L'installazione deve venir eseguita soltanto da personale competente. Usate soltanto punti di montaggio con una sufficiente capacità portante, considerando eventuali vincoli architettonici. È assolutamente obbligatorio di usare il materiale di fissaggio (viti, tasselli ecc.) indicato nelle istruzioni di montaggio del produttore. Adottate provvedimenti adatti (frenafili, dadi autobloccanti) per prevenire un allentamento dei raccordi filettati.



Assicurate installazioni stazionarie e/o mobili (in questo caso gli altoparlanti e gli accessori di montaggio) contro una caduta dall'alto con due dispositivi indipendenti. Provvedete ad installare dispositivi adatti per cogliere ogni elemento allentato prima che questo possa cadere in terra. Assicuratevi che gli elementi di montaggio e di fissaggio e le imbracature vengano scelti e montati nel rispetto delle normative nazionali e locali vigenti. Tenete conto dei carichi dinamici (forze di trazione-compressione) per calcolare le dimensioni dei dispositivi di sicurezza.



Se usate stativi, badate che non venga oltrepassato il loro carico massimo ammissibile. Badate inoltre che, per motivi costruttivi, gli stativi di solito sono concepiti ed omologati soltanto per portare un carico centrato. Gli stativi devono essere posizionati in modo sicuro e stabile. Provvedete ad assicurare (o meglio ancora fissare) gli stativi se per esempio:

- la loro superficie di appoggio non consenta un posizionamento stabile,
- la loro altezza limita la stabilità,
- si potrebbero manifestare venti forti,
- potrebbero essere rovesciate da persone.

Prendete provvedimenti contro ogni forma di comportamento rischioso a parte degli spettatori. È vietato posare stativi che ingombrano le vie di fuga e l'accesso soccorsi. Se volete posare stativi in una via di comunicazione, verificate prima che la larghezza della via lo consenta e badate in ogni caso ad una protezione (transenne, cordone ecc.) e ad una segnalazione adeguata. Il montaggio e smontaggio degli altoparlanti significa un rischio elevato. Utilizzate sempre l'attrezzatura adatta e assicuratevi che le attività vengano svolte nel rispetto delle normative nazionali in vigore.



Durante il montaggio, indossate sempre indumenti protettivi appropriati (casco, guanti, calzature di sicurezza) ed usate soltanto mezzi di salita adatti e sicuri (scala, ponteggio ecc.). Il rischio è a esclusivo carico della ditta o del tecnico che esegue i lavori di montaggio.



ATTENZIONE!

Verificate dopo il montaggio del sistema di altoparlanti che il montaggio e cablaggio sia avvenuto in modo corretto e che tutte le giunzioni siano stabili.

L'operatore di un sistema di altoparlanti (stazionario o mobile) è obbligato a controllare o a fare controllare regolarmente ogni componente del sistema nel rispetto delle normative nazionali e locali in vigore e a fare riparare ogni danno immediatamente.

Vi consigliamo di documentare meticolosamente ogni missione di controllo in un libretto di controllo.

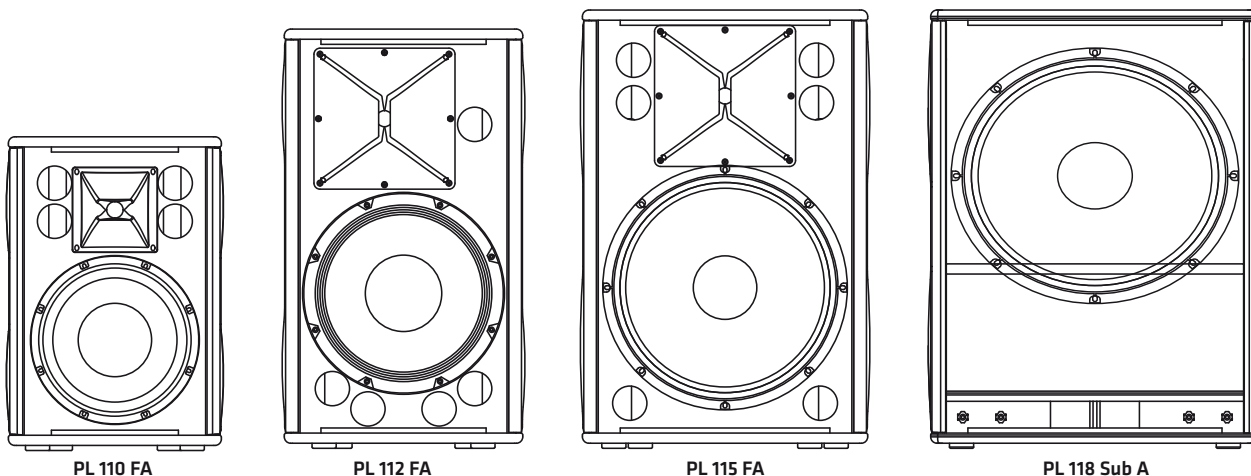
Per un sicuro montaggio di altoparlanti all'aperto dovete prendere in considerazione i vari fenomeni che potrebbero limitare la stabilità e la capacità portante dell'impianto, soprattutto i carichi dovuti al vento, al peso della neve o del ghiaccio e gli influssi di temperatura. Badate a dimensionare i punti di sollevamento per un montaggio in sospensione prendendo in considerazione una sufficiente riserva di sicurezza. Assicuratevi che tutto avvenga nel rispetto delle normative nazionali in vigore.

- Se siete insicuri, chiedete al rispettivo produttore se il vostro prodotto sia adatto per un uso all'aperto.



I sistemi di sonorizzazione professionali sono in grado di produrre livelli sonori nocivi alla salute. Anche essere sottoposto a livelli apparentemente inoffensivi (a partire da circa 95 dBA SPL) per un elevato periodo di tempo può provocare perdite dell'udito. Quindi consigliamo che ogni persona sottoposta ad alti livelli sonori provenienti da un sistema di sonorizzazione porti un'adatta protezione per l'udito (tappi auricolari o paraorecchie). Produttore: Stamer Musikanlagen GmbH, Magdeburger Str. 8, 66606 St. Wendel, Germania

PULSAR



Benvenuti nella famiglia HK AUDIO!

Grazie per aver scelto un prodotto di marca concepito e fabbricato nella nostra casa secondo i nostri meticolosi criteri di qualità.

Anche se siete un utente esperto di sistemi di sonorizzazione - questo prodotto vi offrirà alcuni aspetti che saranno nuovi per voi. Per questo vi preghiamo di non ignorare questo manuale e di conservarlo in un luogo sicuro per averlo sempre a disposizione.

Vi auguriamo il migliore suono in qualsiasi situazione!

Il vostro team HK Audio

Garanzia

Registrate ogni singolo diffusore attivo PULSAR per ottenere gratis un prolungamento del periodo di garanzia fino a 5 anni! Il modo più veloce e confortevole: la registrazione on line sul nostro sito www.hkaudio.com.

Se non avete la possibilità di registrarvi on line vi preghiamo di completare la cartolina di garanzia inclusa e di spedirla per posta o per fax.

La registrazione è valida soltanto se la cartolina di registrazione riempita ci verrà spedita entro 30 giorni dalla data di acquisto oppure se in questo periodo avverrà la registrazione on line.

Oltre a scopi di garanzia, la registrazione serve a darci un'idea su come e dove i nostri prodotti vengono utilizzati. Queste informazioni ci saranno utili per sviluppare nuovi prodotti. Le vostre indicazioni sono naturalmente coperte dalla segretezza dei dati.

Grazie!

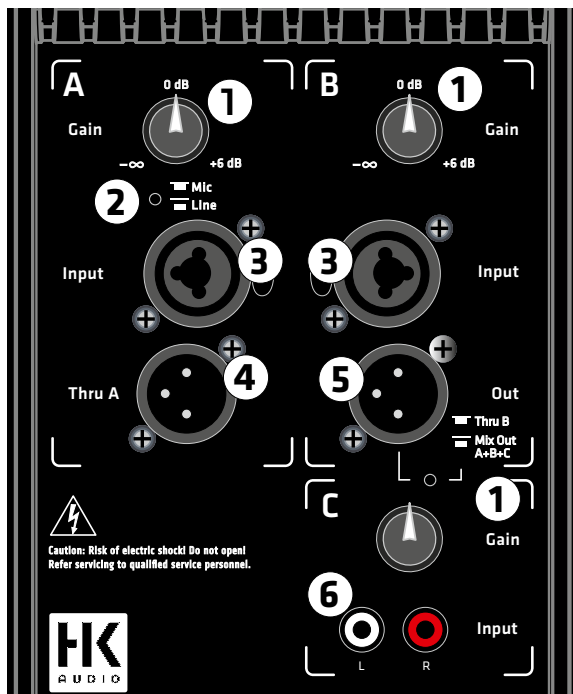
HK AUDIO

Technischer Service (servizio tecnico)
Postfach 1509
66959 St. Wendel, Germania
Fax: +49 6851 905 100

1 PL 110 FA / PL 112 FA / PL 115 FA

I satelliti attivi della serie PULSAR dispongono di tre canali d'ingresso (A, B, C) indipendentemente regolabili che possono essere usati contemporaneamente.

1.1 Elementi di Controllo



1 Gain

Controlli per regolare il livello del segnale fornito agli ingressi A, B e C.

2 Selettore Mic/Line (soltanto ingresso canale A)

Se collegate un microfono, mettete il selettore su „Mic“ per adattare la sensibilità d'ingresso al microfono alzandola di 30 dB.

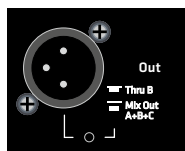
3 Input A/B

Presca combinata XLR/jack, bilanciata elettronicamente per collegare una fonte audio.

4 Thru A

Uscita XLR parallela e bilanciata per un bypass del segnale fornito all'ingresso A (per esempio per collegare un monitor attivo).

5 Out (Thru B / Mix Out)



Uscita XLR bilanciata del canale B con la seguente funzione doppia, selezionabile col tasto sotto la uscita:

Posizione Thru B:

Out funziona come uscita parallela per trasmettere esclusivamente il segnale proveniente dall'ingresso B ad un monitor attivo (per esempio).

Posizione Mix Out A+B+C:

L'uscita ora serve per un bypass del segnale cumulativo (mixato) degli ingressi A, B e C. Potete regolare i componenti del segnale cumulativo coi rispettivi controlli Gain.

6 Input (canale C)

Prese cinch (RCA) per collegare una fonte audio stereo. Il canale sinistro e destro vengono abbinati per fornire un segnale monofonico.

7 Indicatore di stato

Spia led bicolore che indica lo stato del diffusore attivo del PULSAR (verde = Power On, rosso = errore)..

8 Power

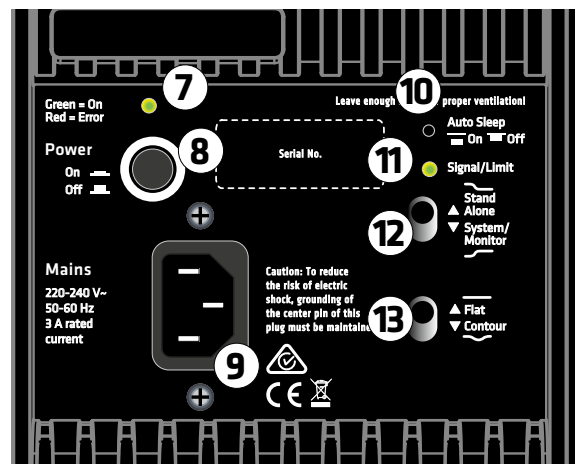
Interruttore per attivare/disattivare il diffusore attivo PULSAR. Quando attivato, la spia si illumina in verde.

9 Mains

Presca d'alimentazione. Usate il cavo d'alimentazione contenuto nella confezione per collegare questa presa alla corrente.

Attenzione! Quando disattivato, il consumo di corrente ammonta a 0,5 Watt circa.

Nota: I satelliti attivi PULSAR sono muniti di prese d'alimentazione ad alta sicurezza V-Lock. In combinazione con un cavo d'alimentazione pressa e rilascia (VOLEX o simile, in vendita opzionale) viene impedito un disimpegno involontario del cavo d'alimentazione.



10 Auto Sleep

Selettore per attivare o disattivare la funzione automatica di risparmio energetico dei satelliti della serie PULSAR. Sulla posizione „On“, lo Auto Sleep della finale di potenza verrà attivato dopo 180 minuti senza segnale d'ingresso (consumo: 0,5 Watt circa). Per riattivare i diffusori PULSAR, basta premere l'interruttore Power e aspettare cinque secondi prima di premerlo di nuovo. Sulla posizione „Off“ invece, la funzione automatica di risparmio energetico viene disattivata e i satelliti rimangono accesi.

11 Signal / Limit

Spia led bicolore che rimane spenta quando non è presente un segnale. La spia si illumina in verde quando è presente un segnale d'ingresso. Un peak di segnale a volume elevato viene indicato con una luce rossa.

Attenzione! Non si tratta di una spia Clip. Non è grave se la spia si illumina in rosso di tanto in tanto, perché questo indica soltanto un'attivazione del limiter. Se invece questa spia si illumina in rosso con ogni peak di segnale senza che si possa udire un segnale audio, bisogna ridurre il livello della fonte audio col controllo Gain del satellite. Se la spia rossa non si spegne più è avvenuto un errore.

12 Stand Alone / System/Monitor



Selettore per adattare la risposta in frequenza del diffusore attivo PULSAR al modo di uso. Scegliete la posizione „System/Monitor“ se volete usare il satellite in combinazione con un subwoofer o separatamente come monitor.

La posizione „Stand Alone“ allarga la risposta in frequenza del diffusore attivo PULSAR per poterlo usare come diffusore standalone/fullrange - ora verranno trasmessi anche i bassi.

13 Flat / Contour



Mettete questo selettore su „Flat“ per ottenere una risposta in frequenza lineare, ideale per l'uso sul palcoscenico. Nella posizione „Contour“ invece, le frequenze medie vengono attenuate per una migliore riproduzione di segnali

fortemente compressi su distanze corte.

1.2 Collegamenti e connessione dei cavi

Collegate la vostra fonte audio (Monitor Out, Line Out o simili) con un cavo di microfono XLR/jack agli ingressi bilanciati Input A e B, oppure con un cavo cinch (RCA) all'ingresso Input C. Se volete collegare il vostro microfono direttamente al diffusore attivo PULSAR (senza usare un mixer), collegatelo all'ingresso bilanciato Input A e mettete il selettore Mic/Line sulla posizione „Mic“. Usate anche in questo caso un cavo di microfono XLR/jack.

1.3 Messa in funzione

- Verificate che il diffusore attivo PULSAR sia disattivato.

Attenzione! Assicuratevi che la tensione della rete alla quale vi volete collegare corrisponda al valore indicato sul retro del diffusore. Collegando l'apparecchio ad una tensione non adatta rischiate di distruggere l'elettronica del diffusore attivo.

- Abbassate il Gain girando i rispettivi controlli (Gain A/B/C) completamente nel senso antiorario.
- Prima di collegare un segnale di linea, assicuratevi che tutti i componenti collegati siano stati attivati. Vale a dire, sia il mixer, sia ogni fonte audio collegata al mixer come tastiere, amplificatori per strumenti, processori di segnale ecc. devono essere accesi. Verificate che il selettore Mic/Line del diffusore attivo PULSAR sia messo sulla posizione giusta (Standard = Line). Badate di attivare il diffusore attivo PULSAR sempre come ultimo, vale a dire dopo aver attivato tutti i componenti di periferia, e di disattivarlo sempre prima di disattivare questi.
- Dopo aver azionato l'interruttore d'alimentazione, l'aeratore si accende per un breve periodo di circa 5 secondi (check-up del sistema). L'aeratore si attiva automaticamente quando l'unità raggiunge la temperatura di soglia. Si attiva soltanto a livelli di volume molto elevati e si regola dipendente dalla temperatura causata dal carico. Durante il check-up del sistema, l'indicatore di stato si illumina in rosso - per poi illuminarsi in verde se non sono presenti degli errori e se il sistema viene alimentato con corrente.

1.4 Regolazioni

Regolare il volume con i controlli Gain

I controlli Gain servono - in combinazione col selettore Mic/Line (soltanto canale A) - ad adattare la sensibilità d'ingresso per segnali di linea oppure per segnali di microfono. Se si fanno presenti distorsioni o saturazioni, dovete ridurre il livello del segnale generato dalla fonte audio.

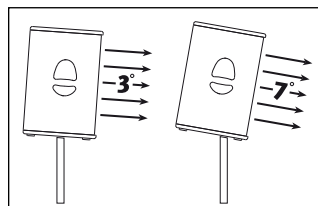
Mettete i controlli Gain sulla posizione mezzogiorno (= 0 dB / Centerclick). Se utilizzate un mixer per controllare il diffusore attivo PULSAR, conviene lasciare il controllo in questa posizione. Se volete collegare un lettore CD o una tastiera, conviene di girare il controllo Gain nel senso orario secondo il livello del segnale per ottenere un volume maggiore. Usate l'ingresso Input C per collegare apparecchi audio mobili direttamente al satellite PULSAR.

Regolare i filtri

Usate i selettori Stand Alone/System Monitor e Flat/Contour dei satelliti PULSAR per selezionare i filtri adatti alla situazione e al vostro gusto (vedi paragrafo 1.1)

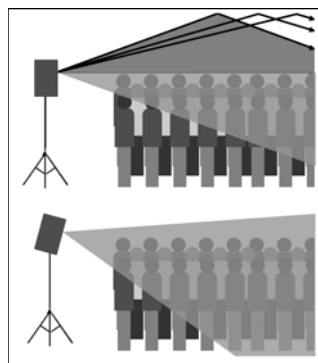
1.5 Orientamento

HK Audio DuoTilt™ 3/7 (PL 110 FA / PL 112 FA / PL 115 FA)



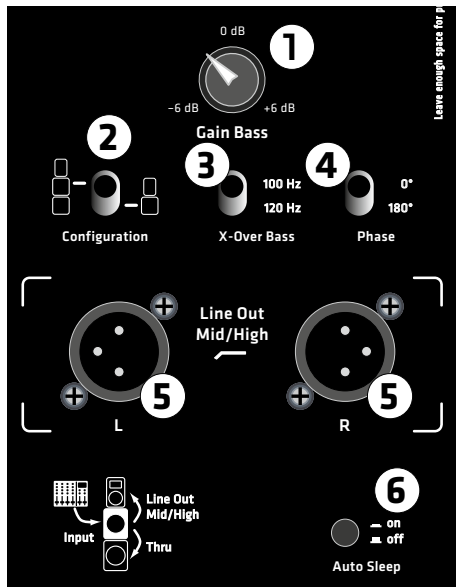
La flangia di supporto HK Audio DuoTilt™ 3/7 vi permette di orientare i satelliti attivi PULSAR in modo orizzontale per evitare o diminuire indesiderate riflessioni sonori della soffitta. Con la flangia anteriore del DuoTilt™, inclinate il diffusore di 7°, con la flangia posteriore di 3°.

Se volete montare il diffusore attivo PULSAR su uno stativo di supporto alto oppure su un'asta alta, vi consigliamo di scegliere l'angolo di 7°. Questo angolo conviene soprattutto quando il pubblico non è troppo numeroso e quando si trova in diretta vicinanza dei diffusori. Per un grande pubblico che si trova assai distante dagli altoparlanti, conviene scegliere l'angolo di 3° del DuoTilt™.



2 PL 118 Sub A

2.1 Elementi di Controllo



1 Gain Bass

Controllo per regolare il volume del subwoofer. Nella posizione mezzogiorno, i volumi del subwoofer e dei satelliti attivi PULSAR sono sintonizzati per ottenere una riproduzione sonora omogenea e bilanciata. Girando il controllo Gain Bass nel senso antiorario o orario, potete ridurre o aumentare il volume del subwoofer secondo le delle condizioni del locale (campo di controllo: +/-6 dB).

2 Configuration

Selettore per adattare il subwoofer attivo PL 118 Sub A all'uso con altri prodotti della gamma PULSAR.



Mettendolo sulla posizione inferiore, scegliete le caratteristiche ottime per collegare un subwoofer attivo PULSAR a un diffusore attivo PULSAR.



La posizione superiore invece viene selezionata se collegate due subwoofer attivi PULSAR ad un diffusore attivo PULSAR. In questa posizione, i livelli delle due uscite Line Out Mid/High vengono alzati per ottenere una bilanciata proporzione dei volumi dei subwoofer e del satellite che compensa l'aumento del livello massimo di 6 dB risultando dall'uso di due subwoofer attivi PULSAR.

3 X-Over Bass

Il selettore X-Over serve a scegliere la frequenza di separazione superiore del filtro divisore integrato nel subwoofer attivo PL 118 Sub A (100 Hz o 120 Hz), secondo le caratteristiche del locale e della prestazione.

4 Phase

Selettore per compensare un'eventuale controfase dei segnali del subwoofer attivo PL 118 Sub A e dei satelliti collegati (0°/180°). Se avete collegato dei satelliti PULSAR, mettete il selettore su 0°. Se invece volete utilizzare altri diffusori, potrebbe convenire girare la fase di 180°.

5 Line Out Mid/High L/R

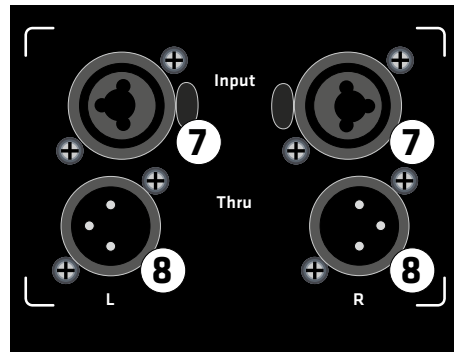
Due uscite XLR, bilanciate elettronicamente per collegare satelliti attivi PULSAR.

6 Auto Sleep

Selettore per attivare o disattivare la funzione automatica di risparmio energetico del subwoofer della serie PULSAR. In posizione „On“: la finale di potenza verrà disattivata dopo 180 minuti senza segnale d'ingresso (consumo: 0,5 Watt circa). Per riattivare il subwoofer PULSAR, basta premere l'interruttore Power e aspettare cinque secondi prima di premerlo di nuovo. Sulla posizione „Off“ invece, la funzione automatica di risparmio energetico viene disattivata e il subwoofer rimane acceso.

7 Input L/R

Presi combinate XLR/jack, bilanciate elettronicamente per collegare una fonte audio.



8 Thru L/R

Uscita parallela per un bypass dei segnali d'ingresso (Inputs L/R).

9 Indicatore Stato

Questa spia led si illumina in verde quando l'interruttore d'alimentazione è messo su „On“ e quando l'apparecchio è collegato alla rete di corrente. La spia si illumina in rosso se il segnale d'ingresso della finale di potenza è troppo alto oppure quando è avvenuto un errore. Un breve lampeggiare rosso della spia indica i peak di segnale trattati dal limiter.

Attenzione! Se l'indicatore stato si illumina permanentemente in rosso, il sistema viene sovraccaricato. In questo caso dovete ridurre il livello del segnale! Se invece l'indicatore stato si illumina permanentemente in rosso senza che sia presente un segnale, è avvenuto un errore.

10 Power

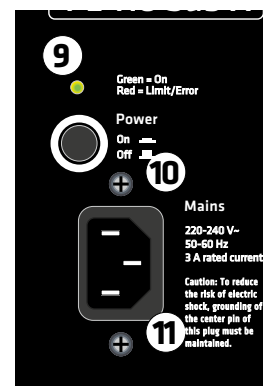
Interruttore per attivare/disattivare il subwoofer attivo PULSAR. L'indicatore status si illumina in verde quando il subwoofer è attivato.

11 Mains

Presi d'alimentazione. Usate il cavo d'alimentazione contenuto nella confezione per collegare questa presi alla corrente.

Attenzione! Quando disattivato, il consumo di corrente ammonta a 0,5 Watt circa.

Nota: Il subwoofer attivo PULSAR è munito di prese d'alimentazione ad alta sicurezza V-Lock. In combinazione con un opzionale cavo d'alimentazione pressa e rilascia (VOLEX o simile) viene impedito un disimpegno involontario del cavo d'alimentazione.



2.2 Collegamenti e connessione dei cavi

Collegate le uscite del vostro mixer (Master Out, Monitor Out, Line Out o simili) agli ingressi bilanciati Input L/R utilizzando un cavo di microfono XLR/jack. Collegate i satelliti attivi tramite le uscite XLR „Line Out Mid/High Left/Right“. Per un bypass del segnale fullrange ad altri subwoofer o diffusori attivi, usate le due prese Thru.

2.3 Messa in funzione

- Verificate che il subwoofer attivo PL 118 A sia disattivato.

Attenzione! Assicuratevi che la tensione della rete alla quale vi volete collegare corrisponda al valore indicato sul retro del diffusore. Collegando l'apparecchio ad una tensione non adatta rischiate di distruggere l'elettronica del diffusore attivo.

- Girate il controllo Gain Bass sulla posizione mezzogiorno (0 db / Center-click).
- Mettete il selettore Configuration sulla posizione che corrisponde al numero dei subwoofer attivi PL 118 Sub A usati.
- Badate prima che tutti gli altri componenti collegati siano stati attivati. Vale a dire, sia il mixer, sia ogni fonte audio collegata al mixer come tastiere, amplificatori per strumenti, processori di segnale ecc. devono essere accesi. Badate sempre di collegare diffusori attivi PULSAR alle uscite „Line Out Mid/High“ e di attivarle soltanto dopo aver attivato tutti gli altri componenti collegati. Badate inoltre sempre di togliere il volume dei diffusori attivi PULSAR (girare i controlli Gain di ogni ingresso nel senso antiorario) prima di disattivarli e di disattivarli prima di spegnere gli altri apparecchi collegati.
- Dopo aver azionato l'interruttore d'alimentazione, l'aeratore si accende per un breve periodo di circa 5 secondi (check-up del sistema). L'aeratore si attiva automaticamente quando l'unità raggiunge la temperatura di soglia. Si attiva soltanto a livelli di volume molto elevati e si regola dipendente dalla temperatura. Durante il check-up del sistema, l'indicatore di stato si illumina in rosso - per poi illuminarsi in verde se non sono presenti degli errori e se il sistema viene alimentato con corrente.

2.4 Regolazioni

Regolazione del volume col controllo Gain Bass

Usate questo controllo per regolare il volume del subwoofer attivo PL 118 Sub A secondo la situazione. Girando il controllo Gain Bass nel senso antiorario o orario, potete ridurre o aumentare il volume del subwoofer (campo di controllo: +/-6 dB). Se si fanno presenti distorsioni o saturazioni, dovete ridurre il livello del segnale generato dalla fonte audio.

Scegliere la frequenza di separazione col selettore X-Over Bass

Usate questo selettore per scegliere la banda di frequenza del subwoofer attivo LINEAR adatta al segnale che volete riprodurre oppure alla situazione in loco. La posizione di questo selettore non ha alcun'influenza sulle uscite „Line Out Mid/High“.

Adattare le fasi col selettore di fase

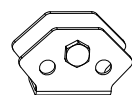
Con questo selettore potete compensare un'eventuale controfase dei segnali del subwoofer attivo PL 118 Sub A e del satellite collegato. Se collegate diffusori attivi PULSAR, mettete il selettore di fase su 0°. Se invece volete utilizzare altri satelliti, potrebbe convenire girare la polarità di 180° mettendo il selettore sulla posizione 180°.

3 Applicazioni

Vedi pagine 42 - 45.

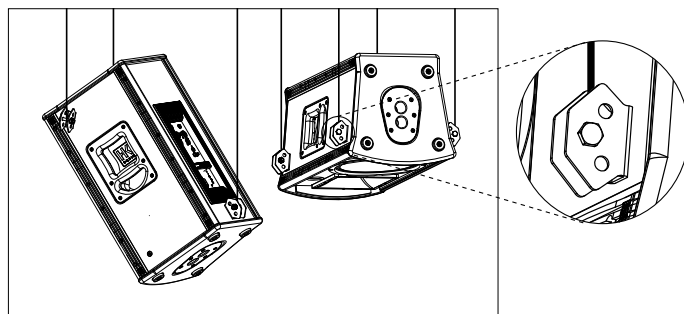
4 Accessori originali HK Audio

AP-8 Punto di ancoraggio

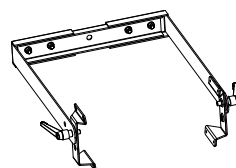


Il punto di ancoraggio con una portata massima di 360 kg (WLL) vi permette un sicuro montaggio in sospensione dei satelliti muniti con punti da rigging M8 (usando cavi d'acciaio oppure catene).

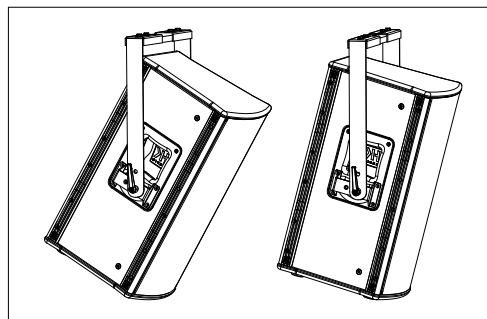
L'AP 8 dispone di una sicura per evitare un involontario svitamento e di una grande superficie d'appoggio. Usando tre punti di ancoraggio, potete inclinare i satelliti fino ad un angolo di 45°. Se usate 4 AP-8, potete montare il PL 110 FA, PL 112 FA e il PL 115 FA in sospensione orizzontale (e gli altri satelliti fullrange delle serie HK AUDIO PREMIUM PR:0 e LINEAR 5).



TB-1 Staffa di montaggio



La staffa di montaggio TB-1 (compatibile anche per i satelliti fullrange della serie LINEAR 5) vi permette un semplice montaggio dei diffusori fullrange PL 112 FA e PL 115 FA su travi truss, usando cavallotti o triggerclamps (M12), e di orientarli in direzione verticale ed orizzontale. Naturalmente potete montare la staffa anche sul soffitto, su una trave a sbalzo o su uno stativo. Dopo aver montato la staffa, potete scegliere l'angolo d'inclinazione e fissare la posizione desiderata con le due leve di fissaggio.



5 Caratteristiche tecniche

Modello	PL 110 FA	PL 112 FA	PL 115 FA	PL 118 Sub A
Max. SPL @ 10% THD	128 dB half space	129 dB half space	129 dB half space	127 dB half space
Max. SPL peak @ 10% THD	134 dB half space	135 dB half space	135 dB half space	130 dB half space
Max. SPL calculated:	136 dB half space	137 dB half space	137 dB half space	131 dB half space
Risposta in frequenza +/-3 dB:	70 Hz - 16 kHz	70 Hz - 16 kHz	58 Hz - 16 kHz	44 Hz - X-Over:
Risposta in frequenza -10 dB	58 Hz - 18 kHz	56 Hz - 18 kHz	49 Hz - 18 kHz	35 Hz - X-Over:
Rendimento amplificatore	1000 Watt	1000 Watt	1000 Watt	600 Watt
Woofers amplificatore	650 W @ 4 Ohm	650 W @ 4 Ohm	650 W @ 4 Ohm	600 Watt @ 4 Ohm
Driver amplificatore	350 W @ 4 Ohm	350 W @ 4 Ohm	350 W @ 4 Ohm	-
Preamp	DSP (Time Alignment)	DSP (Time Alignment)	DSP (Time Alignment)	analogico
Tipo d'amplificatore	Class D - Biamped	Class D - Biamped	Class D - Biamped	Class D
Circuiti di protezione attivi:	Undervoltage-, Thermo-, Short-Circuit-, Overcurrent-Protection, Subsonic Filter, Peak-, RMS-, Multiband-Limiter, Look Ahead Temperature Control	Undervoltage-, Thermo-, Short-Circuit-, Overcurrent-Protection, Subsonic Filter, Peak-, RMS-, Multiband-Limiter, Look Ahead Temperature Control	Undervoltage-, Thermo-, Short-Circuit-, Overcurrent-Protection, Subsonic Filter, Peak-, RMS-, Multiband-Limiter, Look Ahead Temperature Control	Undervoltage-Protection, Thermo-Protection, Short-Circuit Protection, Overcurrent-Protection, Look Ahead Temperature Control, Peak Limiter
Altoparlante bassi	10" con tecnologia Advanced-Cooling	12" con tecnologia Advanced-Cooling	15" con tecnologia Advanced-Cooling	18" con tecnologia Advanced-Cooling
Driver acuti	1"	1"	1"	-
Caratteristiche della tromba:	90° x 55° tromba CD	90° x 55° tromba CD	90° x 55° tromba CD	-
Frequenza di separazione attiva	2,5 kHz, 24 dB/ ottava	2,5 kHz, 24 dB/ ottava	2,5 kHz, 24 dB/ ottava	100 Hz / 120 Hz selezionabili con 24 dB / ottava
Conessioni	2x presa combinata XLR-In, 1x Stereo Cinch In, 2x XLR-Thru, 1x XLR-Mix Out	2x presa combinata XLR-In, 1x Stereo Cinch In, 2x XLR-Thru, 1x XLR-Mix Out	2x presa combinata XLR-In, 1x Stereo Cinch In, 2x XLR-Thru, 1x XLR-Mix Out	2x presa combinata XLR-In, 2x XLR-Thru, 2x XLR-Mid/High Out
Sensibilità d'ingresso	+4 dBu @ Gain Centerclick	+4 dBu @ Gain Centerclick	+4 dBu @ Gain Centerclick	+4 dBu @ Gain Centerclick
Preset dei filtri	2 selettori EQ: Stand Alone / System-Monitor e Flat / Contour	2 selettori EQ: Stand Alone / System-Monitor e Flat / Contour	2 selettori EQ: Stand Alone / System-Monitor e Flat / Contour	Configurazione: 1 Sub / 2 Sub
Alimentazione	1x cavo d'alimentazione con sistema di sicurezza V-Lock	1x cavo d'alimentazione con sistema di sicurezza V-Lock	1x cavo d'alimentazione con sistema di sicurezza V-Lock	1x cavo d'alimentazione con sistema di sicurezza V-Lock
Assorbimento di potenza	3 A / 220-240 V (6 A / 100-120 V) consumo energetico nominale conforme alla normativa EN 60065	3 A / 220-240 V (6 A / 100-120 V) consumo energetico nominale conforme alla normativa EN 60065	3 A / 220-240 V (6 A / 100-120 V) consumo energetico nominale conforme alla normativa EN 60065	3 A / 220-240 V (6 A / 100-120 V) consumo energetico nominale conforme alla normativa EN 60065
Flangia di supporto	DuoTilt 3/7	DuoTilt 3/7	DuoTilt 3/7	M20
Punti da rigging	5x M8	5x M8	5x M8	-
Manici	1, integrati	2, integrati	2, integrati	4, integrati
Custodia	ibrido (compensato, truciolato)	ibrido (compensato, truciolato)	ibrido (compensato, truciolato)	ibrido (compensato, truciolato)
Griglia frontale	Griglia in metallo 1 mm con plastico espanso speciale	Griglia in metallo 1 mm con plastico espanso speciale	Griglia in metallo 1 mm con plastico espanso speciale	Griglia in metallo 1 mm con plastico espanso speciale
Superficie	Smalto acrilico, nero	Smalto acrilico, nero	Smalto acrilico, nero	Smalto acrilico, nero
Rulli	-	-	-	opzionali 100 mm
Accessori opzionali	Custodia di protezione, Tilt-Unit, staffa da rigging	Custodia di protezione, Tilt-Unit, staffa da rigging	Custodia di protezione, Tilt-Unit, staffa da rigging	Custodia di protezione, preparazione per montaggio rullini, Tilt-Unit
Dimensioni (L x A x P)	35 x 49 x 37 cm 13-25/32 x 19-9/32 x 14-9/16"	38 x 66 x 37 cm 14-31/32 x 25-63/64 x 14-9/16"	46,5 x 69 x 45,2 cm 18-3/8 x 27-5/32 x 17-51/64"	52,5 x 69 x 69,1 cm 20-45/64 x 27-5/32 x 27-13/64"
Peso	16 kg / 35,3 lbs.	19,7 kg / 43,4 lbs.	25,7 kg / 56,7 lbs	40,5 kg / 89,3 lbs

Importantes instrucciones de seguridad.

¡Leer antes de encender!

Este producto ha sido elaborado por el fabricante de conformidad con IEC 60065 y ha salido de fábrica en perfecto estado. Para que se mantenga en perfectas condiciones y asegurar que no exista riesgo alguno, el usuario deberá observar los avisos y advertencias que se encuentran en el manual de instrucciones. En caso de utilizar este producto en vehículos, embarcaciones o aviones, así como a altitudes superiores a los 2.000 m sobre el nivel del mar, además de la norma IEC 60065 también se deberán cumplir las demás normas de seguridad aplicables

ADVERTENCIA: Para prevenir el riesgo de incendio y el peligro de electrocución, evite la exposición del equipo a humedad o lluvia. No abra la cubierta: en el interior no hay elementos que deba manipular el usuario. El mantenimiento deberá quedar a cargo de personal cualificado.



La presencia de este símbolo advierte de la existencia de tensión peligrosa sin aislar en el interior que podría ser suficiente para provocar una electrocución.



La presencia de este símbolo advierte de la existencia de tensión peligrosa accesible desde el exterior. Todo cableado externo conectado con algún terminal marcado con este símbolo deberá ser un cableado preelaborado que satisfaga las recomendaciones del fabricante o deberá ser instalado por personal cualificado.



La presencia de este símbolo advierte de importantes instrucciones de uso y mantenimiento en la bibliografía adjunta. Lea el manual.



La presencia de este símbolo indica: ¡Precaución! ¡Superficie caliente! No tocar para evitar quemaduras.

- Lea las presentes instrucciones.
- Conserve las presentes instrucciones.
- Observe todas las advertencias e indicaciones señaladas en el producto y en las instrucciones.
- No utilice el producto cerca del agua. No coloque el producto cerca de agua, baños, bañeras, fregaderos, zonas húmedas, piscinas o saunas.
- No coloque objetos que contengan líquidos sobre el producto, como jarrones, vasos, botellas, etcétera.
- Limpie exclusivamente con paños secos.
- No retire ninguna cubierta ni elementos del armazón.
- La tensión operativa del producto deberá ajustarse a la tensión del suministro eléctrico local. Si no está seguro del tipo de electricidad disponible, consulte con su distribuidor o con la compañía eléctrica local.
- Antes de conectar el aparato debe asegurarse de que la instalación de alimentación de red tenga equipos de protección suficientes contra cortocircuito y fallo de puesta a tierra de los dispositivos conectados.
- Para reducir el riesgo de electrocución, deberá mantenerse la puesta a tierra del producto. Utilice solamente el cable de alimentación suministrado con el producto y mantenga siempre activo de la patilla central (puesta a tierra) del cuadro de conexiones. No desactive la función de seguridad del enchufe polarizado o con puesta a tierra. El aparato solamente debe conectarse a enchufes que tengan una puesta a tierra de protección que funcione reglamentariamente.
- Proteja el cable de alimentación de pisadas o pinzamientos, especialmente junto a enchufes, soportes de dispositivos y el punto de salida desde el equipo. Los cables de alimentación deberán manipularse siempre con precaución. Compruebe periódicamente que los cables no tengan cortes ni signos de desgaste, especialmente en el enchufe y en el punto de salida desde el equipo.
- No utilice nunca un cable dañado.
- Desenchufe el producto durante las tormentas con aparato eléctrico o cuando vaya a estar en desuso durante periodos prolongados.
- El producto solamente se puede desconectar por completo de la red extrayendo el enchufe de red de la unidad o de la toma de la pared. El producto deberá colocarse en todo momento de tal modo que su desconexión de la red sea sencilla.
- Fusibles: Reemplace solamente con fusibles de tipo (5x20 mm) y amperaje según IEC 127. Está prohibido usar „fusibles parcheados“ o cortocircuitar los portafusibles. La sustitución de los fusibles debe ser realizada únicamente por personal cualificado.
- El mantenimiento deberá quedar a cargo de personal cualificado. Será necesaria una revisión si la unidad resulta dañada de cualquier forma, por ejemplo:

- si el cable de alimentación o el enchufe están dañados o deshilachados;
- si se han derramado líquidos sobre el producto o han caído objetos en él;
- si el producto se ha visto expuesto a lluvia o humedad;
- si el producto no funciona con normalidad pese a seguirse las instrucciones de uso;
- si el producto ha sido salpicado o el cajetín ha sido dañado.
- Cuando se conecten altavoces a este aparato no se podrá sobrepasar el límite de impedancia mínima especificado en el aparato o en las presentes instrucciones. La sección de los cables empleados debe ser suficiente en conformidad con la reglamentación local.
- Proteja de la luz solar directa.
- No instale cerca de fuentes de calor como radiadores, difusores de calor, estufas u otros dispositivos que produzcan calor.
- No bloquee ninguna abertura de ventilación. Instale de conformidad con las instrucciones del fabricante. No deberá situarse el producto en una instalación integrada, como una rejilla, a no ser que exista la ventilación necesaria.
- Permita siempre que un dispositivo frío se caliente a temperatura ambiente cuando se traslade a alguna sala. Pueden formarse condensaciones en el interior del producto y dañarlo cuando se usa sin precalentamiento.
- No sitúe fuentes de llama abierta, como velas encendidas, sobre el producto.
- El dispositivo deberá situarse al menos a 20 cm/8" de distancia de las paredes.
- Utilice solamente con el carro, soporte, trípode, abrazadera o tablero especificado por el fabricante o vendido junto con el producto. Cuando se use un carro, deberá tenerse precaución al mover la combinación de carro/producto para evitar daños por vuelcos.
- Utilice solamente accesorios recomendados por el fabricante; esto será de aplicación para todo tipo de accesorios, por ejemplo, cubiertas protectoras, bolsas de transporte, pies, soportes murales o de techo. En caso de instalación de cualquier tipo de accesorio en el producto, siga siempre las instrucciones de uso suministradas por el fabricante. Nunca utilice puntos de fijación distintos de los especificados por el fabricante.
- El dispositivo NO es apropiado para su uso por parte de cualquier persona o personas (niños incluidos) con las capacidades físicas, sensoriales o mentales limitadas o sin la experiencia o el conocimiento suficientes con productos de este tipo. El dispositivo deberá mantenerse siempre fuera del alcance de los niños menores de 4 años.
- Nunca introduzca objetos de ninguna clase en el producto a través de las ranuras del cajetín, ya que podrían tocar puntos de tensión peligrosa, ni cortocircuite elementos que pudieran causar riesgo de incendio o electrocución.
- El producto puede emitir niveles de presión sonora por encima de 90 dB, lo que puede causar daños auditivos permanentes. La exposición a niveles sonoros extremadamente altos puede causar pérdidas auditivas permanentes. Lleve protección auditiva si va a estar expuesto de forma continua a dicho tipo de elevados niveles.
- El fabricante solamente garantiza la seguridad, la fiabilidad y la eficiencia del producto si:
 - el montaje, la extensión, el reajuste, las modificaciones o las reparaciones son realizados por el fabricante o por personal autorizado;
 - la instalación eléctrica del área interesada es conforme con los requisitos de las especificaciones de IEC (ANSI);
 - la unidad se utiliza conforme a las instrucciones de uso.
- Este producto está optimizado para el uso de señales de música y voz. El uso de señales senoidales, rectangulares o de medición de otro tipo con nivel superior puede dañar seriamente el aparato.

Instrucciones generales de seguridad para sistemas de altavoces



Los sistemas de fijación deben usarse exclusivamente para los sistemas de altavoces autorizados por el fabricante y con los accesorios de montaje indicados en las Instrucciones de montaje. Deben tenerse en cuenta obligatoriamente las Instrucciones de montaje del fabricante. No puede garantizarse la carga indicada y el fabricante no asume ninguna responsabilidad en caso de montaje inadecuado o uso de accesorios de montaje no autorizados. No puede garantizarse la capacidad de carga del sistema y el fabricante no asume ninguna responsabilidad si se realizan modificaciones en los altavoces, los accesorios de montaje, los elementos de unión y de fijación, así como los medios de sujeción. Las reparaciones en las piezas relevantes para la seguridad deben ser realizadas sólo por el fabricante o personas autorizadas por él, de lo contrario se extinguirá la autorización de funcionamiento.



La instalación tiene que realizarla exclusivamente un experto y sólo en puntos de montaje con una capacidad de carga suficiente, si procede, teniendo en cuenta las servidumbres de construcción. Debe usarse el material de fijación (tornillos, tacos, etc.) estipulado por el fabricante en las Instrucciones de montaje. Las uniones atornilladas deben asegurarse contra aflojamiento con las medidas apropiadas.



Las instalaciones estacionarias o móviles (altavoces incluidos accesorios de montaje) deben asegurarse contra caídas por medio de dos dispositivos de actuación independiente entre sí. Las piezas adicionales sueltas o las que se aflojen deben sujetarse con los dispositivos apropiados. Si se usan elementos de unión y de fijación, así como medios de sujeción, deben tenerse en cuenta las normas nacionales. Respecto a la medición de los medios de seguridad, deben tenerse en cuenta las posibles cargas dinámicas (fuerzas a sacudidas).



En los pies de soporte debe tenerse en cuenta principalmente la carga máxima. Además, por motivos constructivos, la mayoría de los pies de soporte sólo están autorizados para soportar la carga exactamente centrada. Los pies de soporte deben instalarse de forma estable. Los pies de soporte tienen que asegurarse adicionalmente con las medidas apropiadas, por ejemplo cuando:

- su superficie de apoyo no permita un apoyo estable,
- sus alturas limiten la estabilidad,
- se espere una presión del viento excesiva,
- se prevea que puedan ser volcados por personas.

Pueden ser también necesarias medidas especiales como precaución contra el comportamiento peligroso de los espectadores. Los pies de soporte no deben instalarse en las vías de escape y de emergencia. En caso de instalación en vías de circulación debe tenerse en cuenta la anchura necesaria de las vías y el bloqueo y señalización reglamentarios. Existe un peligro especial al colocar y apilar. Para ello deben usarse los medios auxiliares adecuados. Deben tenerse en cuenta las normas nacionales.



Durante el montaje debe usarse equipo protector adecuado (especialmente casco protector, guantes y calzado de seguridad) y sólo deben usarse ayudas para subir apropiadas (escaleras, andamios, etc.). La responsabilidad exclusiva será de la empresa que realice la instalación.



¡ATENCIÓN!

Después del montaje tiene que comprobarse la suspensión del sistema en el soporte y la fijación segura de los altavoces.

El explotador de los sistemas de altavoces (estacionarios o móviles) está obligado a comprobar o hacer comprobar regularmente todos los componentes del sistema teniendo en cuenta las regulaciones nacionales respectivas y hacer solucionar inmediatamente los posibles daños.

Además, recomendamos una documentación completa de todas las medidas de comprobación en los libros de inspección o similares. Para el uso prolongado o permanente de altavoces al aire libre deben tenerse en cuenta también las cargas de viento, nieve y hielo o las influencias térmicas para la estabilidad y capacidad portante de las superestructuras y superficies. En especial, los puntos de sujeción de la carga de los sistemas suspendidos tienen que dimensionarse con reservas de seguridad suficientes. Deben tenerse en cuenta las normas nacionales.

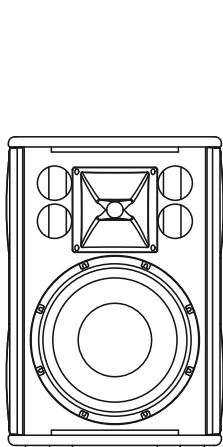
- Consulte con el fabricante si su producto es apropiado para el funcionamiento al aire libre.



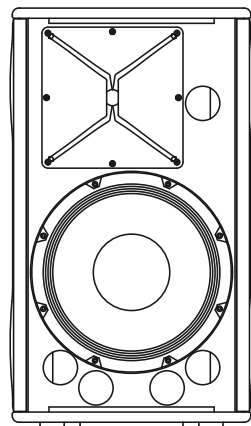
Los sistemas de altavoces profesionales pueden crear niveles acústicos perjudiciales para la salud. La influencia de un nivel acústico aparentemente inofensivo durante un periodo prolongado puede causar daños permanentes en la audición (desde aprox. 95 dBA SPL). Por ello, aconsejamos que todas las personas expuestas a un nivel acústico alto debido al funcionamiento de sistemas de altavoces usen protección acústica profesional (tapones para los oídos o auriculares protectores).

Fabricante: Stamer Musikanlagen GmbH, Magdeburger Str. 8, 66606 St. Wendel, Alemania

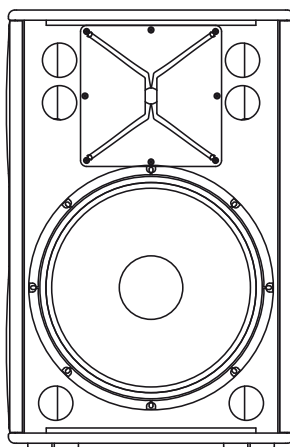
PULSAR



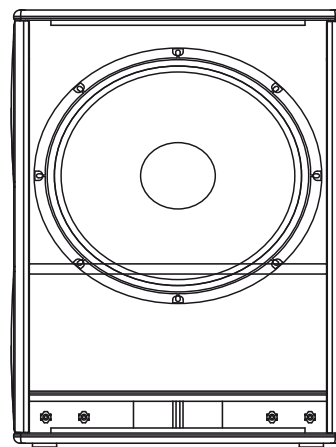
PL 110 FA



PL 112 FA



PL 115 FA



PL 118 Sub A

¡Bienvenido a la familia HK Audio!

Muchas gracias por haberse decidido por un producto de una de nuestras marcas, que hemos desarrollado y cuidado con el máximo esmero.

Aunque tenga ya una amplia experiencia con instalaciones de sonido, en este producto encontrará novedades para Ud. Por lo tanto, debe leer este manual del usuario y guardarlo para su consulta posterior.

¡Le deseamos que disfrute del mejor sonido que haya oído nunca!

El equipo HK Audio

Garantía

Registre cada caja activa PULSAR y obtendrá ¡una prolongación gratuita de la garantía hasta 5 años! Utilice el cómodo registro online a través de www.hkaudio.com.

Si no puede registrarse online, rellene íntegramente y bien legible la tarjeta de garantía adjunta y envíela por correo o fax.

El registro solamente es válido si se ha enviado la tarjeta de registro totalmente cumplimentada dentro de un plazo de 30 días desde la fecha de compra a HK AUDIO o si ha realizado el registro dentro del plazo a través de Internet.

Además deseamos obtener una impresión de dónde se utilizan nuestros aparatos y quién lo hace. Estas informaciones son útiles para el desarrollo de nuestros productos futuros. Por supuesto, sus datos están sujetos a las disposiciones de la ley protección de datos alemana.

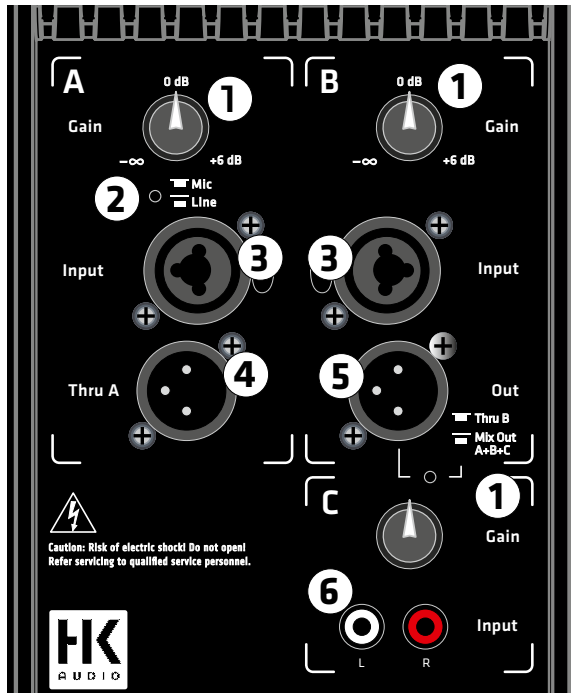
¡Muchas gracias!

HK AUDIO
Technischer Service
Postfach 1509
66959 St. Wendel, Alemania
Fax: +49 6851 905 100

1 PL 110 FA / PL 112 FA / PL 115 FA

Las partes superiores activas de la serie PULSAR cuentan con tres canales de entrada (A, B, C), que pueden utilizarse paralelamente y regularse independientemente entre sí.

1.1 Elementos de mando



1 Gain

Con estos reguladores se adapta el nivel de entrada respectivo de las entradas A, B y C.

2 Interruptor Mic/Line (sólo canal de entrada A)

Si se conecta un micrófono, optimice la sensibilidad de entrada con la posición del interruptor „Mic“. Se aumenta 30 dB.

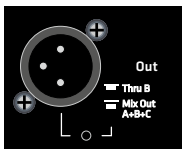
3 Input A/B

Conector XLR/jack combinado, simetrizado electrónicamente para la señal de entrada.

4 Thru A

Thru A es una salida XLR simetrizada, paralela, para la transmisión de señales de entrada de la entrada A (p. ej. a un monitor activo).

5 Out (Thru B / Mix Out)



El conector hembra Out del canal B es una salida XLR simétrica que cumple la doble función siguiente:

Posición de pulsador Thru B:

Out es ahora una salida paralela para la transmisión exclusiva de las señales de entrada de la entrada B, p. ej. a un monitor activo.

Posición de pulsador Mix Out A+B+C:

En el modo Mix Out, esta salida sirve para pasar en bucle las señales acumulativas (mixtas) de las entradas A, B y C. La señal acumulativa puede regularse con los reguladores Gain respectivos.

6 Input (canal C)

Conectores hembra cinch para una señal de entrada estéreo. Los canales izquierdo y derecho se suman en una señal mono.

7 LED de estado

El LED bicolor indica el estado del altavoz activo PULSAR (verde = alimentación activa, rojo = error).

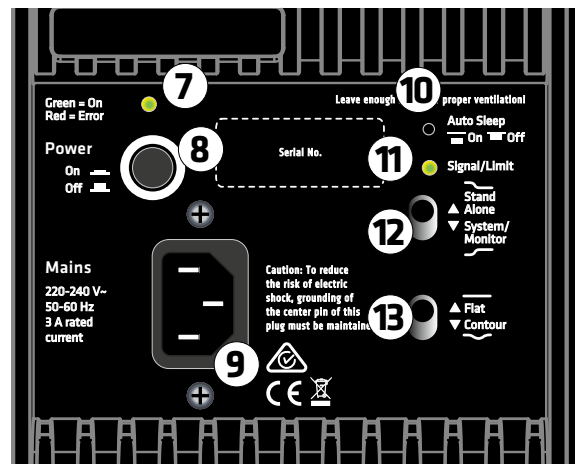
8 Power

Interruptor de conexión/ desconexión del altavoz activo PULSAR. Cuando está conectado, el LED de estado se ilumina de color verde.

9 Mains

Conecte este conector hembra por medio de un cable de alimentación para aparatos de baja tensión (incluido en el volumen de suministro) a un enchufe de red.

¡Atención! En estado desconectado, el consumo es de unos 0,5 Vatios. Nota: Las partes superiores activas PULSAR están equipadas con conectores hembra de entrada de red V-Lock bloqueables. El cable de red puede bloquearse junto con un cable de conexión bloqueable (VOLEX o similar, suministrable opcionalmente) y, de este modo, asegurarse contra la desconexión involuntaria.



10 Auto Sleep

Las partes superiores de la serie PULSAR poseen una función Auto Sleep que puede conectarse y desconectarse. En la posición „On“, la etapa final entra en estado de reposo – si no hay ninguna señal en 180 minutos – (consumo de unos 0,5 Vatios). Para poner de nuevo los altavoces PULSAR en estado operativo, desconecte la caja por medio del interruptor Power durante cinco segundos y después conéctela de nuevo. Poniendo Auto Sleep en „off“ se desactiva esta función y las partes superiores permanecen en servicio permanentemente.

11 Signal / Limit

El LED bicolor se apaga, momentáneamente, cuando no hay señal. Cuando hay presente señal de entrada, se ilumina de color verde. Los picos de señal con un volumen alto se indican cuando se ilumina en rojo.

¡Atención! Se trata de un LED de clip. Si el LED hace intermitencia corta en rojo, sólo indica que los limitadores funcionan. Si el LED de señal está siempre rojo cuando hay picos de señal y no se oye ninguna señal de audio, compruebe el nivel de entrada de la fuente de señal y reduzca el regulador de volumen (Gain) en su caja. Si este LED se ilumina fijo de color rojo es que hay un error.

12 Stand Alone / System/Monitor



Este interruptor optimiza la respuesta de frecuencia del altavoz activo PULSAR para el caso de aplicación deseado. La posición de interruptor „System/Monitor“ está pensada para usar la parte superior con un subwoofer adicional o separadamente, para uso como monitor. En el modo „Stand Alone“ se adapta la respuesta de frecuencia del altavoz activo PULSAR para su uso como caja Stand Alone/Fullrange mediante una ampliación del rango de graves.

13 Flat / Contour



En la posición de interruptor Flat se optimiza la respuesta de frecuencia para una reproducción lineal y, de este modo, es ideal para el uso en vivo. En la configuración „Contour“ se adapta el rango de tonos medios para una imagen acústica más suave, para optimizar las señales de tonos medios, muy comprimidas, para distancias cortas.

1.2 Conexiones y cableado

Conecte el cable de señal procedente de su fuente de sonido (Monitor Out, Line Out o similar) a los conectores hembra de entrada simetrizados A y B con un cable de micrófono XLR/jack o a los conectores hembra C con un cable cinch. Si desea conectar un micrófono directamente sin mesa de mezclas al altavoz activo PULSAR, utilice la entrada A simetrizada y ponga el interruptor Mic/Line en „Mic“. Para ello, utilice también un cable de micrófono XLR/jack.

1.3 Puesta en servicio

- Asegúrese de que el altavoz activo PULSAR esté desconectado.

¡Atención! Compruebe que la indicación de tensión visualizada coincida con la tensión de red local. La conexión a una tensión de red errónea puede destruir la electrónica del altavoz activo.

- Gire el regulador Gain (Gain A/B/C) hasta el tope izquierdo.
- Al conectar una señal de línea compruebe que ya estén previamente en funcionamiento todos los componentes restantes conectados. Tanto la mesa de mezclas conectada como también todas las fuentes de señal conectadas a él, como teclados, amplificadores de instrumental, efectos, etc. deben estar conectados. Compruebe que el interruptor Mic/Line del altavoz activo PULSAR esté correctamente ajustado (por defecto = Line). El altavoz activo PULSAR debe conectarse siempre el último, es decir, después de todos los demás componentes y debe desconectarse el primero, es decir, antes que todos los aparatos conectados a él.
- Después de conectar con el interruptor Power se pone en marcha brevemente el ventilador (comprobación del sistema) y se apaga después de 5 segundos aprox. El ventilador está controlado por temperatura. Se pone en funcionamiento con volúmenes de sonido muy altos y realiza una autorregulación dependiente de la temperatura del estado de carga. Durante la comprobación del sistema, el LED de estado se ilumina de color rojo, cuando no hay ningún error se ilumina de color verde y se aplica tensión de red.

1.4 Ajustes

Adaptación de volumen con los reguladores Gain

Adapte la señal de entrada para Line y las señales de micrófono con estos reguladores y pulsando el interruptor Mic/Line (sólo canal A). Si se producen distorsiones o saturaciones, compruebe las fuentes de señal y reduzca la señal de salida en la medida de lo posible.

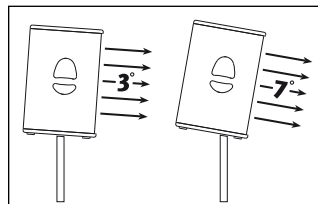
Gire el regulador Gain a la posición central (= 0 dB / clic central). Si utiliza una mesa de mezclas para controlar la caja activa PULSAR, ésta es la posición del nivel preferente. Si conecta directamente un reproductor de CD o, por ejemplo, un teclado, según la intensidad de señal puede girarse completamente a la derecha el regulador Gain para lograr el máximo volumen. Utilice la entrada C para conectar también reproductores móviles directamente con las partes superiores PULSAR.

Ajustes de filtro

Coloque los filtros de las partes superiores PULSAR sobre el monitor Stand Alone/System y el interruptor Flat/Contour según su caso de aplicación o preferencia (véase el punto 1.1).

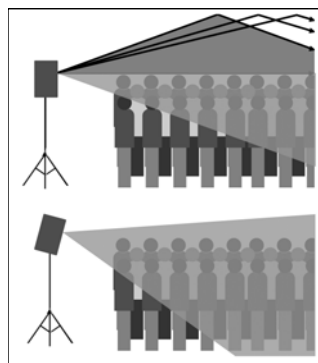
1.5 Orientación

HK Audio DuoTilt™ 3/7 (PL 110 FA / PL 112 FA / PL 115 FA)



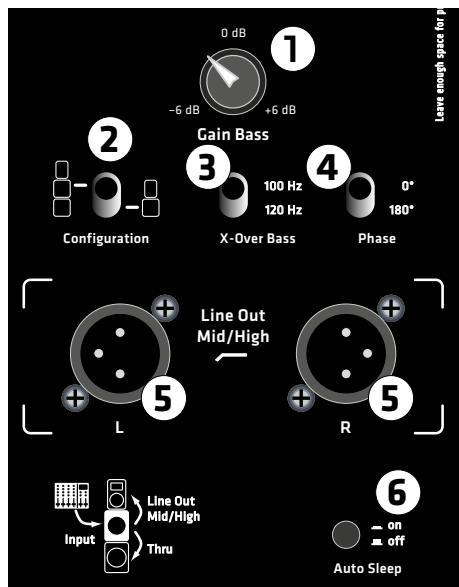
Con el HK Audio DuoTilt™ 3/7 pueden orientarse horizontalmente las partes superiores activas PULSAR sobre un pie de altavoz. De este modo pueden evitarse o reducirse las reflexiones perturbadoras en el techo. Con la abertura delantera en el DuoTilt™ el ángulo de inclinación es de 7° y con el trasero 3°.

Si se utiliza un altavoz activo PULSAR sobre un pie de cajas o barra distanciadora totalmente desplegado, el ángulo debe ser de 7°. Este ajuste es especialmente apropiado cuando hay que hacer llegar el sonido a pocos espectadores que están situados cerca de las cajas de altavoces. Si tiene que llegar a más público, situado más lejos de los altavoces, es idóneo el ángulo de 3° del DuoTilt™.



2 PL 118 Sub A

2.1 Elementos de mando



1 Gain Bass

Con este regulador se adapta el volumen del subwoofer. En la posición central, el volumen del subwoofer en la parte superior activa PULSAR se adapta de forma que existe una presión acústica homogénea con una proporción de graves y agudos medios. Girando el regulador Gain Bass a izquierda o derecha puede reducirse o aumentarse el volumen del subwoofer, si es necesario y adaptarse a las condiciones de espacio (rango de regulación +/-6 dB).

2 Configuration

Con el interruptor Configuration puede optimizar el PL 118 Sub A para el funcionamiento con otros productos de la serie PULSAR.



En la posición de interruptor inferior, el subwoofer activo PULSAR está optimizado para el uso con un altavoz activo PULSAR.



La posición de interruptor superior está optimizada para el funcionamiento de dos subwoofers activos PULSAR y una parte superior activa PULSAR. En esta posición del interruptor se aumentan los niveles de ambas salidas Line Out Mid/High para lograr un equilibrio de volumen entre los graves y la parte superior cuando se usan dos subwoofers activos PULSAR y el aumento de nivel resultante de ello de 6 dB.

3 X-Over Bass

Con el interruptor X-Over puede ajustar la frecuencia de separación superior del diplexor integrado del PL 118 Sub A entre 100 Hz y 120 Hz. Éste depende de las condiciones de espacio y del tipo de función.

4 Phase

Con el interruptor Phase puede adaptarse el PL 118 Sub A girando la polaridad a la posición de fases de las partes superiores conectadas (0°/180°). En el servicio con partes superiores PULSAR, el interruptor tiene que ajustarse en 0°. Para el funcionamiento con otros altavoces puede ser necesario girar la polaridad.

5 Line Out Mid/High L/R

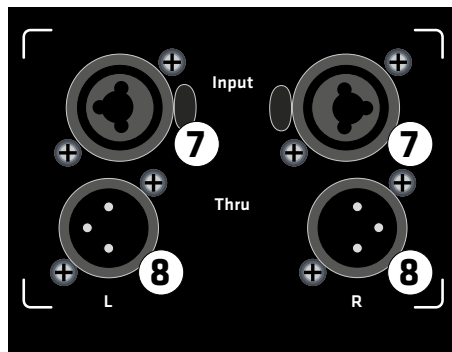
Dos conectores hembra de salida XLR simetrizados electrónicamente para conectar partes superiores PULSAR activas.

6 Auto Sleep

El subwoofer de la serie PULSAR posee una función Auto Sleep que puede conectarse y desconectarse. En la posición „On“, la etapa final entra en estado de reposo – si no hay ninguna señal en 180 minutos – (consumo de unos 0,5 Vatios). Para poner de nuevo el subwoofer PULSAR en estado operativo, desconéctelo por medio del interruptor Power durante 5 segundos y después conéctelo de nuevo. Poniendo Auto Sleep en „Off“ se desactiva esta función y el subwoofer permanece en servicio permanentemente.

7 Input L/R

Conectores hembra XLR/jack combinados, simetrizados electrónicamente, para las señales de entrada.



8 Thru L/R

Salida paralela para la transmisión de señales de entrada (entradas L/R).

9 LED de estado

Este LED se ilumina de color verde cuando el interruptor Power está en „On“ y existe una conexión de corriente. Cuando la señal de entrada de la etapa final es demasiado alta o existe un error, el LED se ilumina de color rojo. Si el LED se ilumina brevemente de color rojo, indica el funcionamiento del limitador con picos de nivel.

¡Atención! Si el LED Power/Limiter se ilumina fijo de color rojo durante el funcionamiento, el sistema está sobrecargado. ¡Reduzca el nivel de señal! Cuando se aplica señal de audio y el LED está iluminado fijo de color rojo, existe un error.

10 Power

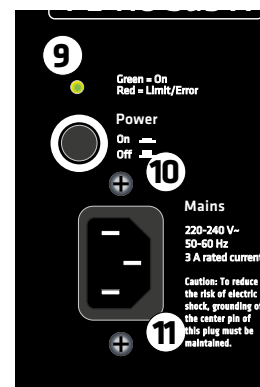
El interruptor de conexión/desconexión para el subwoofer activo PULSAR. Cuando está conectado, el LED Power se ilumina de color verde.

11 Mains

Conecte este conector hembra por medio de un cable de alimentación para aparatos de baja tensión (incluido en el volumen de suministro) a un enchufe de red.

¡Atención! En estado desconectado, el consumo es de unos 0,5 Vatios.

Nota: El subwoofer activo PULSAR posee conectores hembra de entrada de red V-Lock bloqueables. El cable de red puede bloquearse junto con un cable de conexión bloqueable (VOLEX o similar, suministrable opcionalmente) y, de este modo, asegurarse contra la desconexión involuntaria.



2.2 Conexiones y cableado

Conecte el cable de señal procedente de su mesa de mezclas (Monitor Out, Line Out u otro) a los conectores hembra simetrizados de entrada L/R con un cable XLR/jack. Conecte las partes superiores activas a unir por medio de las salidas XLR de "Line Out Mid/High Left/Right". Para pasar en bucle la señal Fullrange a otro subwoofer o altavoz activo, utilice ambos conectores hembra Thru.

2.3 Puesta en servicio

- Asegúrese de que el subwoofer PL 118 Sub A esté desconectado.

¡Atención! Compruebe que la indicación de tensión visualizada coincida con la tensión de red local. La conexión a una tensión de red errónea puede destruir la electrónica del altavoz activo.

- Ponga el regulador Gain Bass en el centro (0 dB / clic central).
- Ajuste el interruptor Configuration según el número de subwoofers PL 118 Sub A.
- Asegúrese de que todos los componentes restantes conectados estén ya en funcionamiento previamente. Tanto la mesa de mezclas conectada como también todas las fuentes de señal conectadas a él, como teclados, amplificadores de instrumental, efectos, etc. deben estar conectados. Los altavoces activos PULSAR deben conectarse siempre a los conectores hembra "Line Out Mid/High" y después de activar todos los demás componentes. Al desconectar deben apagarse primero todos los componentes PULSAR (girar a la izquierda los reguladores Gain de todas las entradas) y antes de desactivar todos los demás aparatos conectados.
- Después de activar con el interruptor Power, el ventilador se pone en marcha brevemente (comprobación del sistema) y se apaga después de 5 segundos aprox. El ventilador está controlado por temperatura. Se pone en funcionamiento con volúmenes de sonido muy altos y realiza una autorregulación dependiente de la temperatura. Durante la comprobación del sistema, el LED de estado se ilumina de color rojo, se ilumina verde cuando no hay ningún error y existe tensión de red.

2.4 Ajustes

Adaptación del volumen con los reguladores Bass Gain

Adapte con estos reguladores el volumen del subwoofer PL 118 Sub A para la situación de sonorización respectiva. Girando el regulador Gain Bass a la izquierda o a la derecha, si es necesario, el volumen del subwoofer puede reducirse o aumentarse (rango de regulación +/-6 dB). Si se producen distorsiones o saturaciones, compruebe las fuentes de señal y reduzca, en la medida de lo posible, la señal de salida.

Adaptación de la frecuencia de separación con el interruptor X-Over Bass

Adapte el rango de transmisión del subwoofer PL 118 Sub A con este interruptor a la señal que debe transmitirse o al entorno. Las salidas Line Out Mid/High Left/Right no se ven afectadas por este ajuste.

Adaptación de la situación de fases con el interruptor Phasen

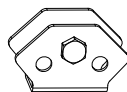
Adapte con este interruptor la situación de fases entre el subwoofer PL 118 Sub A y la parte superior utilizada. Cuando se usen altavoces activos PULSAR, el interruptor Phase debe ponerse en 0°. Cuando se usan otras partes superiores puede ser necesario girar la polaridad. Para ello, el interruptor debe ponerse en la posición 180°.

3 Aplicaciones

Véanse las páginas 42 – 45

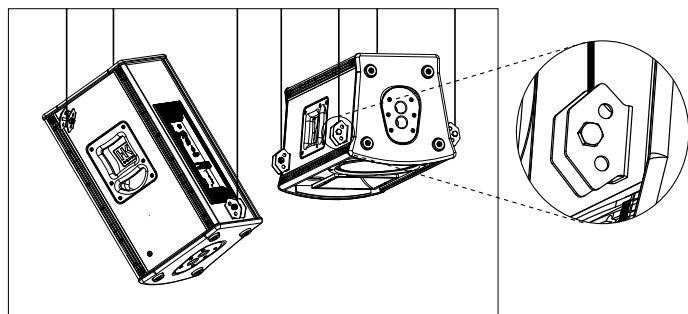
4 Accesorios originales HK Audio

Punto de sujeción del AP-8

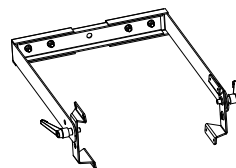


Con una capacidad de carga de hasta 360 kg (WLL), el punto de sujeción permite la instalación segura de cajas de altavoces con puntos de suspensión M8 en cables de acero o cadenas.

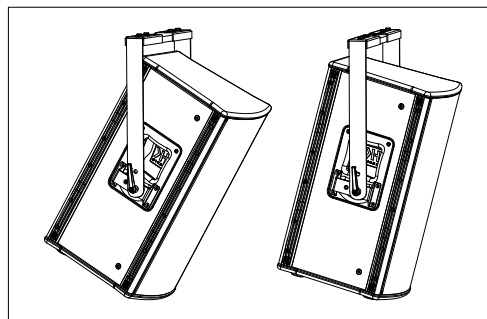
Después del montaje, el AP-8 está asegurado contra giro y ofrece una amplia superficie de apoyo. En tres puntos de sujeción, el ángulo máximo de inclinación previsto de una caja es de hasta 45°. Cuatro AP-8 permiten incluso una suspensión horizontal de PL 110 FA, PL 112 FA y PL 115 FA (también apropiados para las partes superiores Fullrange de las series PREMIUM PR:O y LINEAR 5 HK AUDIO).



Estribo de inclinación TB-1



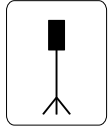
Con el estribo de inclinación individual TB-1 (también para las partes superiores Fullrange de la serie LINEAR 5) pueden fijarse las cajas Fullrange PL 112 FA y PL 115 FA con ayuda de las abrazaderas o trigger clamps (M12) rápidamente con ayuda de largueros y alinearse vertical y horizontalmente de forma flexible según el caso de aplicación. También es posible la instalación en techos, brazos en pared o pies. Después del montaje se ajusta el ángulo de inclinación deseado y se fija con las dos palancas de apriete estables.



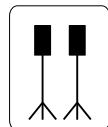
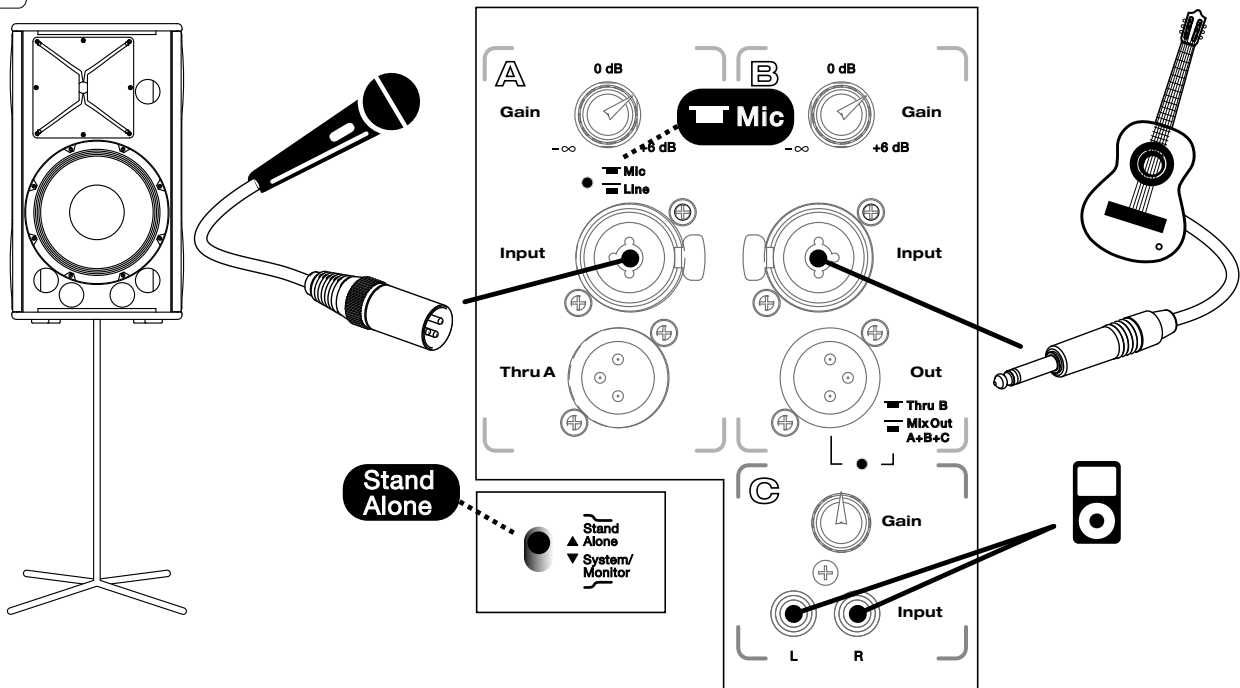
5 Datos técnicos

Modelo	PL 110 FA	PL 112 FA	PL 115 FA	PL 118 Sub A
Máx. SPL@10% THD	128 dB medio espacio	129 dB medio espacio	129 dB medio espacio	127 dB medio espacio
Máx. SPL Peak@10% THD	134 dB medio espacio	135 dB medio espacio	135 dB medio espacio	130 dB medio espacio
SPL máx. calculado	136 dB medio espacio	137 dB medio espacio	137 dB medio espacio	131 dB medio espacio
Respuesta de frecuencia +/- 3 dB	70 Hz - 16 kHz	70 Hz - 16 kHz	58 Hz - 16 kHz	44 Hz - X-Over
Respuesta de frecuencia -10 dB	58 Hz - 18 kHz	56 Hz - 18 kHz	49 Hz - 18 kHz	35 Hz - X-Over
Potencia de la etapa final	1000 W	1000 W	1000 W	600 W
Etapa final Woofer	650 W @ 4 Ohmios	650 W @ 4 Ohmios	650 W @ 4 Ohmios	600 W @ 4 Ohmios
Etapa final motor	350 W @ 4 Ohmios	350 W @ 4 Ohmios	350 W @ 4 Ohmios	-
Preamplificador	DSP (alineación de tiempo)	DSP (alineación de tiempo)	DSP (alineación de tiempo)	analógico
Tipo de etapa final	Clase D - Biamped	Clase D - Biamped	Clase D - Biamped	Clase D
Circuitos protectores activos	Protección contra subtensión, térmica, contra cortocircuito, sobrecorriente, filtro subsónico, limitador de pico, RMS, multibanda, control de temperatura de registro anticipado (look ahead)	Protección contra subtensión, térmica, contra cortocircuito, sobrecorriente, filtro subsónico, limitador de pico, RMS, multibanda, control de temperatura de registro anticipado (look ahead)	Protección contra subtensión, térmica, contra cortocircuito, sobrecorriente, filtro subsónico, limitador de pico, RMS, multibanda, control de temperatura de registro anticipado (look ahead)	Protección contra subtensión, térmica, contra cortocircuito, sobrecorriente, control de temperatura de registro anticipado (look ahead), limitador de pico
Altavoz de graves	10" con tecnología Advanced-Cooling	12" con tecnología Advanced-Cooling	15" con tecnología Advanced-Cooling	18" con tecnología Advanced-Cooling
Altavoz de agudos	1"	1"	1"	-
Característica de difusor	90° x 55° CD bocina	90° x 55° CD bocina	90° x 55° CD bocina	-
Frecuencia de separación activa	2,5 kHz, 24 dB / octava	2,5 kHz, 24 dB / octava	2,5 kHz, 24 dB / octava	100 Hz / 120 Hz seleccionable con 24 dB / octava
Conexiones	2x conector hembra combinado XLR In, 1x Stereo Cinch In, 2x XLR-Thru, 1x XLR-Mix Out	2x conector hembra combinado XLR In, 1x Stereo Cinch In, 2x XLR-Thru, 1x XLR-Mix Out	2x conector hembra combinado XLR In, 1x Stereo Cinch In, 2x XLR-Thru, 1x XLR-Mix Out	2x conector hembra combinado XLR In, 2x XLR-Thru, 2x XLR-Mid/High Out
Sensibilidad de entrada	+4 dBu @ Gain clic central	+4 dBu @ Gain clic central	+4 dBu @ Gain clic central	+4 dBu @ Gain clic central
Preajustes de filtros	2 Interruptor EQ: Stand Alone / System Monitor y Flat / Contour	2 Interruptor EQ: Stand Alone / System Monitor y Flat / Contour	2 Interruptor EQ: Stand Alone / System Monitor y Flat / Contour	Configuración: 1 Sub / 2 Sub
Conexión de red	1x Conexión para aparatos de bajo consumo con sistema de protección V-Lock	1x Conexión para aparatos de bajo consumo con sistema de protección V-Lock	1x Conexión para aparatos de bajo consumo con sistema de protección V-Lock	1x Conexión para aparatos de bajo consumo con sistema de protección V-Lock
Consumo de potencia	3 A / 220-240 V (6 A / 100-120 V) Consumo de corriente nominal según EN 60065	3 A / 220-240 V (6 A / 100-120 V) Consumo de corriente nominal según EN 60065	3 A / 220-240 V (6 A / 100-120 V) Consumo de corriente nominal según EN 60065	3 A / 220-240 V (6 A / 100-120 V) Consumo de corriente nominal según EN 60065
Brida para soporte en altura	DuoTilt 3/7	DuoTilt 3/7	DuoTilt 3/7	M20
Puntos de suspensión	5x M8	5x M8	5x M8	-
Asas	1, integradas	2, integradas	2, integradas	4, integradas
Carcasa	Híbrido (MDF, Span)	Híbrido (MDF, Span)	Híbrido (MDF, Span)	Híbrido (MDF, Span)
Rejilla frontal	Rejilla metálica de 1 mm con espuma negra acústica	Rejilla metálica de 1 mm con espuma negra acústica	Rejilla metálica de 1 mm con espuma negra acústica	Rejilla metálica de 1 mm con espuma negra acústica
Superficie	Laca acrílica, negra	Laca acrílica, negra	Laca acrílica, negra	Laca acrílica, negra
Ruedas	-	-	-	opcional 100 mm
Accesorios opcionales	Funda protectora, unidad de inclinación, estribo de suspensión	Funda protectora, unidad de inclinación, estribo de suspensión	Funda protectora, unidad de inclinación, estribo de suspensión	Funda protectora, preparación para montaje sobre ruedas, unidad de inclinación
Dimensiones (AxAxP):	35 x 49 x 37 cm 13-25/32 x 19-9/32 x 14-9/16"	38 x 66 x 37 cm 14-31/32 x 25-63/64 x 14-9/16"	46,5 x 69 x 45,2 cm 18-3/8 x 27-5/32 x 17-51/64"	52,5 x 69 x 69,1 cm 20-45/64 x 27-5/32 x 27-13/64"
Peso	16 kg / 35,3 lbs.	19,7 kg / 43,4 lbs.	25,7 kg / 56,7 lbs	40,5 kg / 89,3 lbs

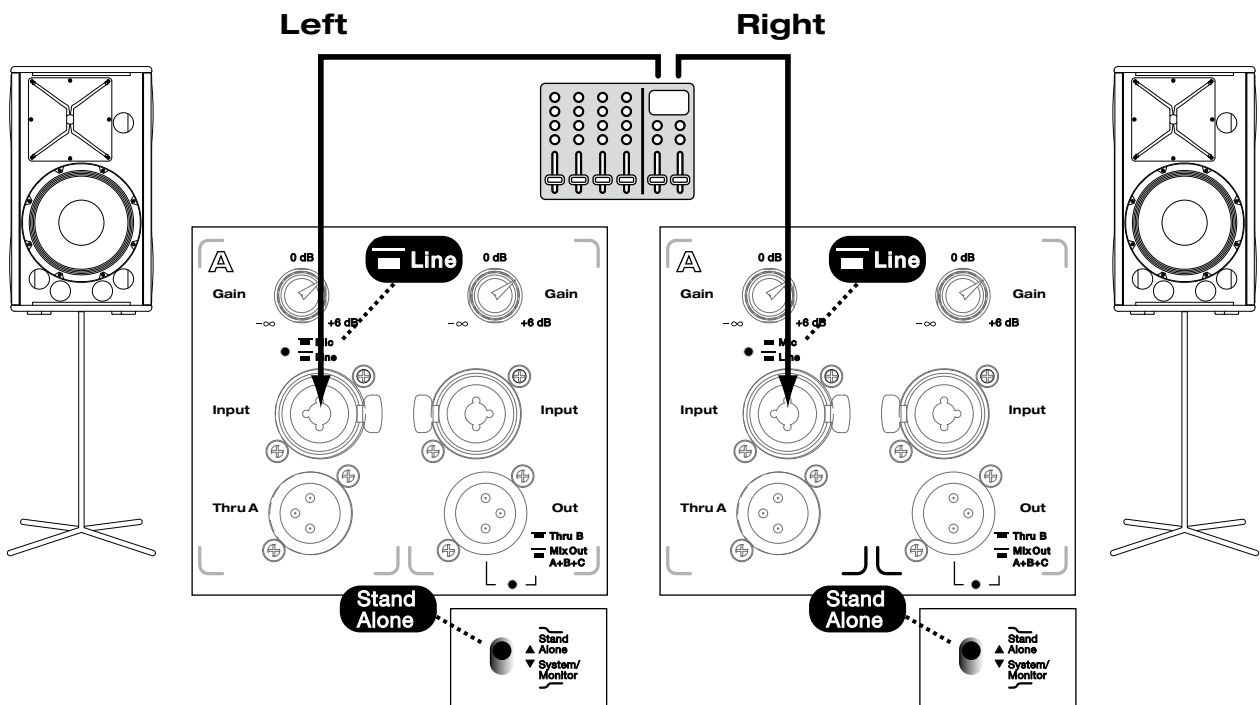
Application Samples

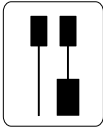


Mono Fullrange/Monitor System: 1x PL 110 FA / PL 112 FA / PL 115 FA

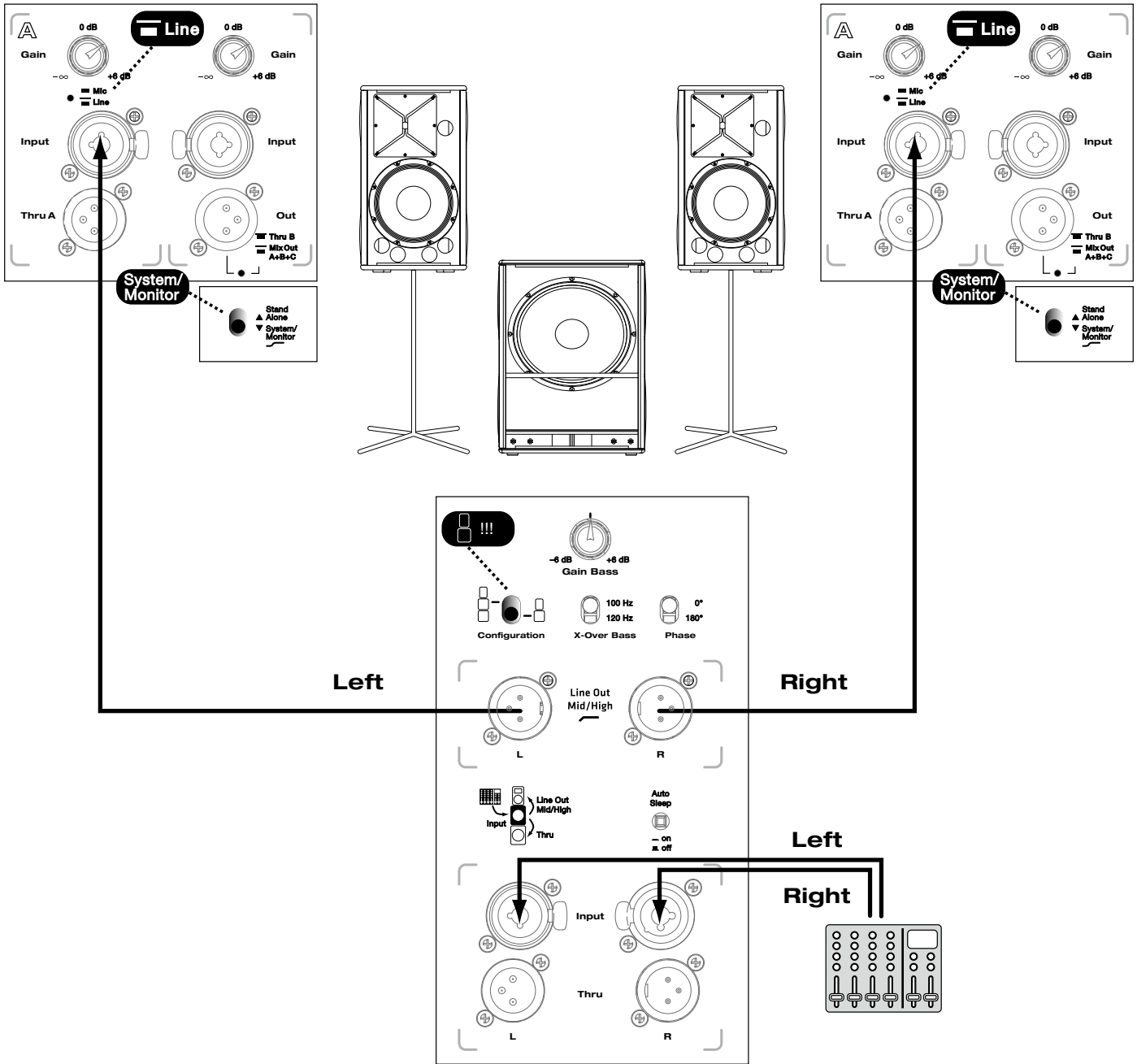


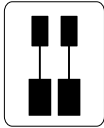
Stereo Fullrange System: 2x PL 110 FA / PL 112 FA / PL 115 FA



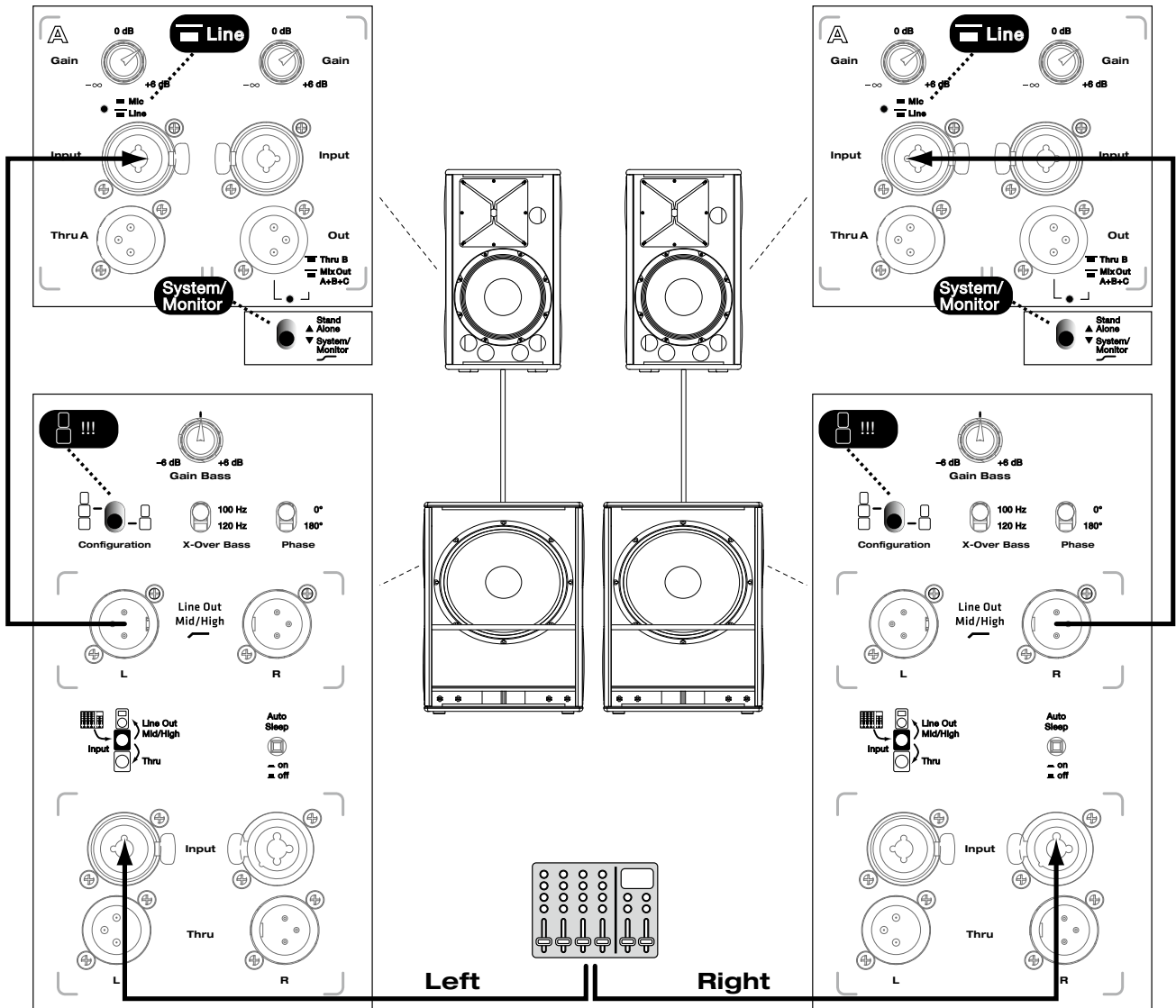


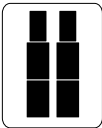
2.1 System: 2x PL 110 FA / PL 112 FA / PL 115 FA + 1x PL 118 Sub A



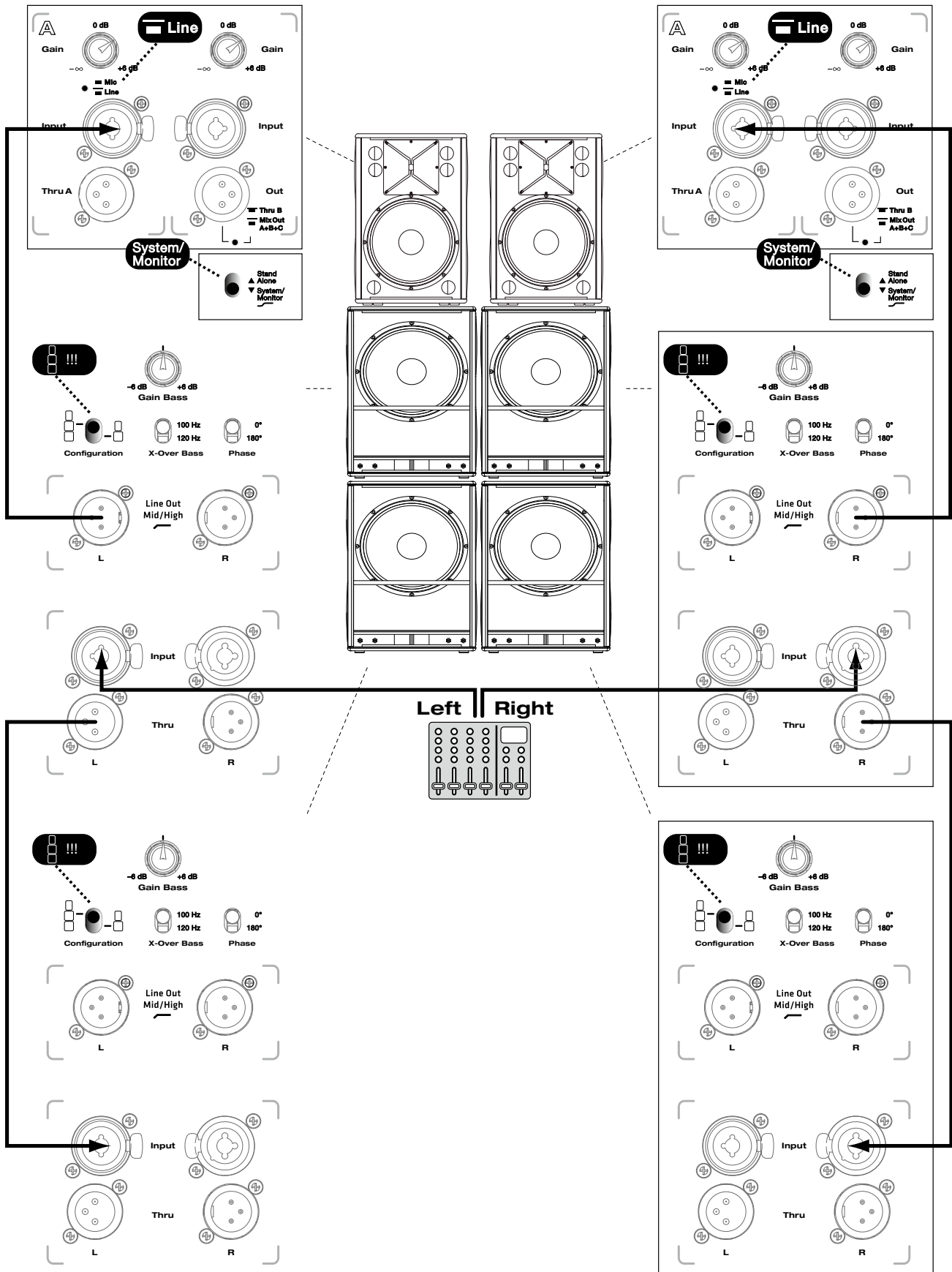


**Halfstack System: 2x PL 110 FA / PL 112 FA / PL 115 FA
+ 2x PL 118 Sub A**





**Fullstack System: 2x PL 112 FA / PL 115 FA
+ 4x PL 118 Sub A**



PULSAR



HK Audio® • Postfach 1509 • 66595 St. Wendel • Germany • info@hkaudio.com • www.hkaudio.com
International Inquiries: fax +49-68 51-905 215 • international@hkaudio.com

Subject to change without notice • Technische Änderungen vorbehalten
Copyrights 2013-2016 Music & Sales GmbH • 07/2016

Manufacturer • Hersteller • Fabricant • Produttore • Fabricante • メーカー • 制造商:
Stamer Musikanlagen GmbH, Magdeburger Str. 8, 66606 St. Wendel, Germany