

P10 Ceiling mount

A suitable ceiling bracket is available for mounting on a ceiling and subsequent alignment to the audience areas below.

The concealed cable routing in the tube as well as the wide swivel and tilt range allow the implementation of a high-quality sound reinforcement even in difficult rooms where the speakers must be brought as close as possible to the audience area (such as in very noisy and/or reverberant environments).

The ceiling mount provides the appropriate mechanical solution for such applications while requiring minimal space or mounting height.

When using one P10, a vertical tilt angle of -40° is permitted. If two P10s are mounted, the permissible tilt angle is reduced to -12.5° .

Two articles are available:

- The **single article**, consisting of a tube holder and an adapter plate, in black, white or RAL color as desired, or
- A **set article**, consisting of a pipe bracket, an adapter plate, two connector plates and an anchor point, also in black, white or RAL color as desired.

Order numbers:

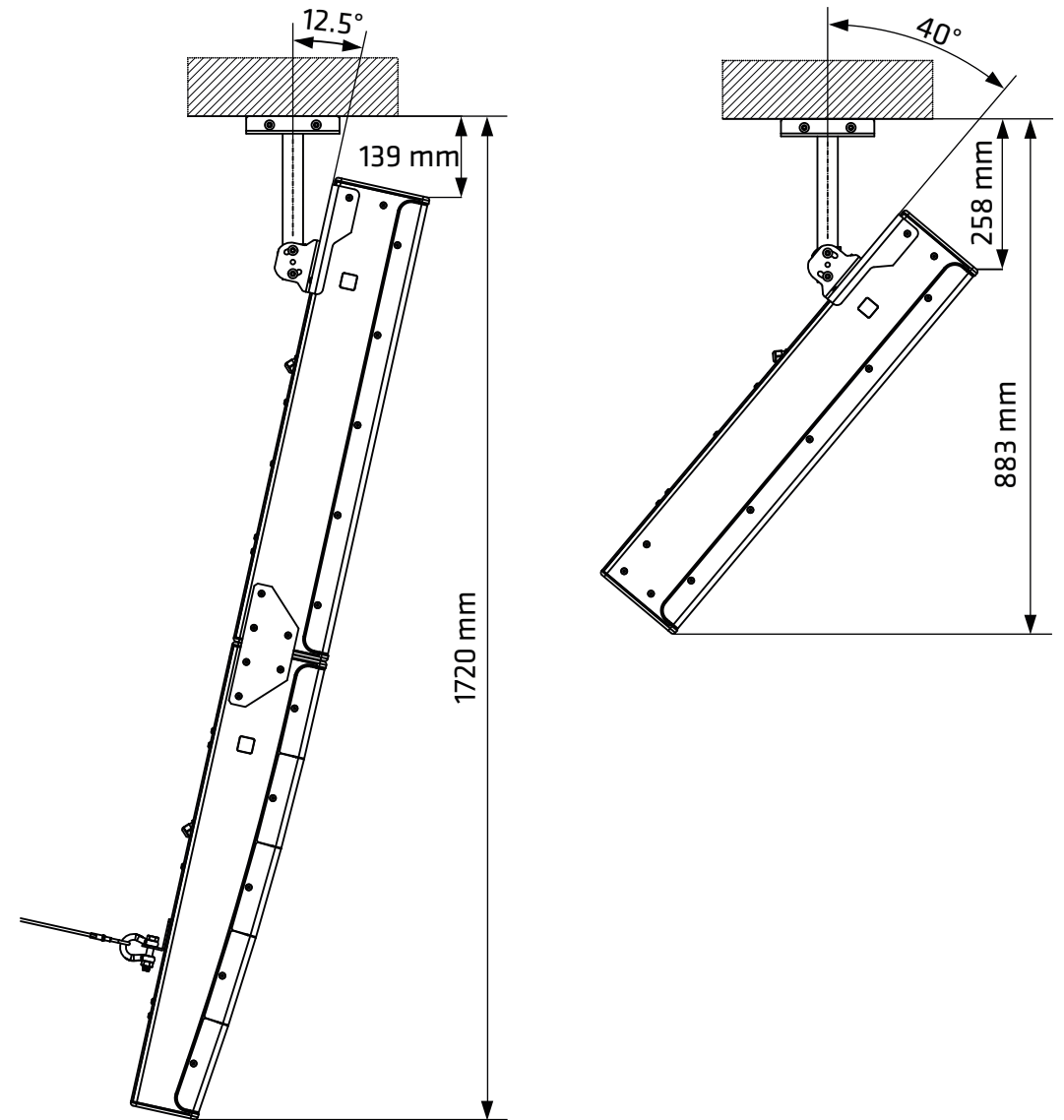
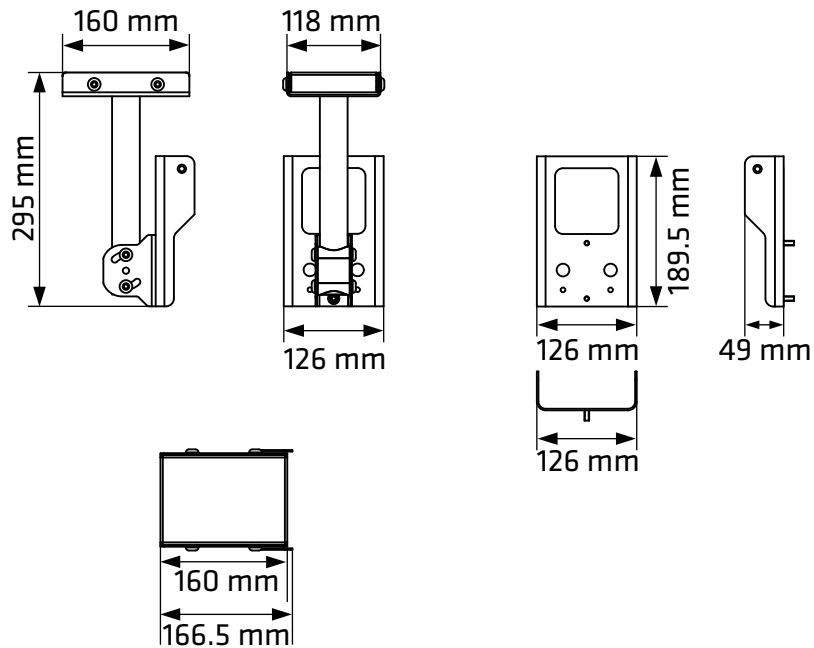
- Ceiling bracket for 1× P10 sw **1007815**
- Ceiling bracket for 1× P10 w/RAL **1007816**
- Ceiling bracket for 2× P10 sw **1990174**
- Ceiling bracket for 2× P10 w/RAL **1990176**



P10 Ceiling mount

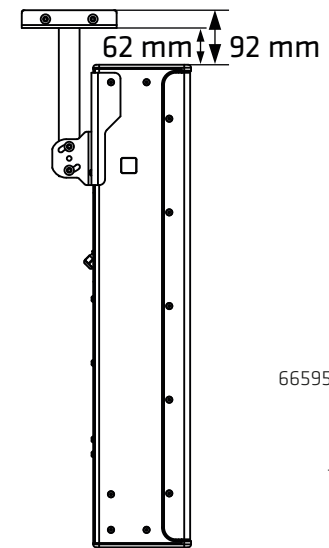
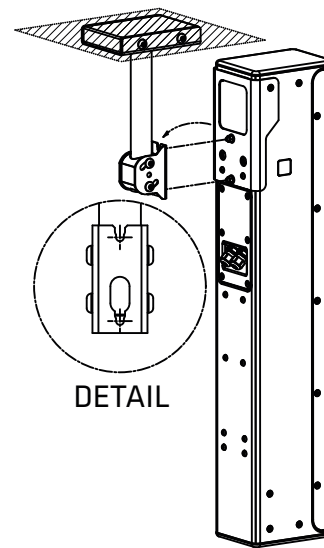
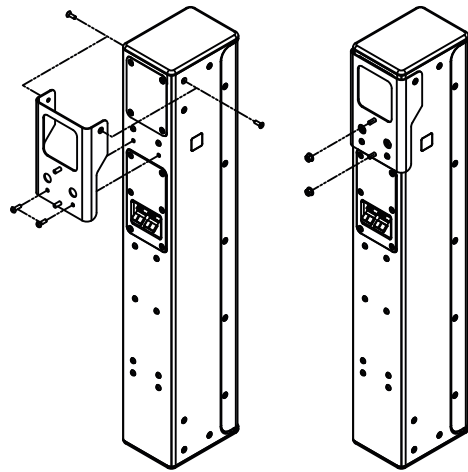
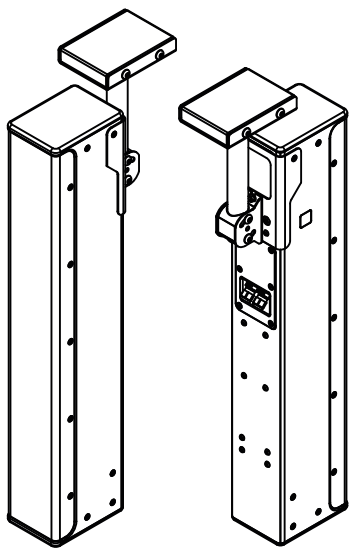
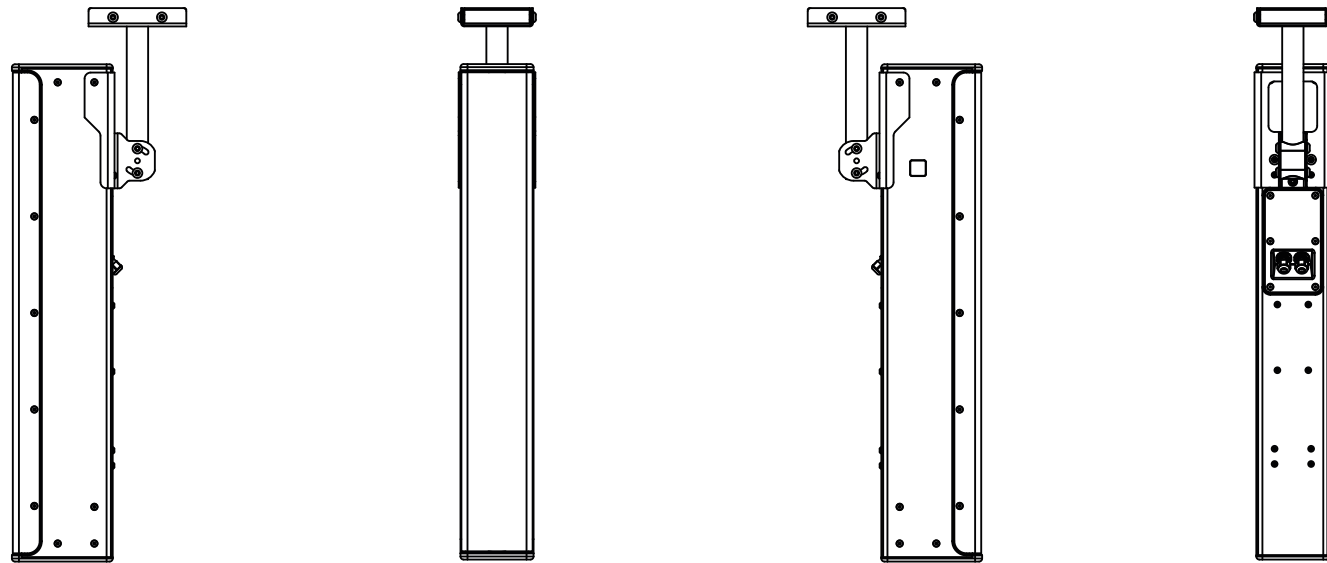
Technical data:

P10 ceiling mount	
Mounting type	ceiling mounting
Functional description	easy mounting by hanging and screwing an adapter plate on the speaker with the tube mount; concealed cable routing through the tube
Vertical tilt range	1x SI P10x : 0° to -40° 2x SI P10x : 0° to -12.5°
Horizontal swivel range	90°
Mounting	4x M8 slotted hole for ceiling mounting
Material	steel
Surface	smooth powder coated (black, white or RAL according to requirements)
Dimensions (H x W x D)	295 x 128 x 166 mm
Weight	2.3 kg



P10 Ceiling mount

Technical drawing



HK Audio
Postfach 1509
66595 St. Wendel, Germany

info@hkaudio.com
fax +49-68 51-905 215
www.hkaudio.com
D-3221