

P10 Connector plates

The P10 connector plates provide a mechanical connection between two P10 speaker enclosures. This can be practical in stacked column systems, for example, to facilitate joint panning and alignment to desired room areas.

Always supplied as a pair, the connector plates are also used as part of a set item when used with the P10 ceiling mount, P10 pole mount or P10 rigging rail.

One article is available:

- A **single item** is available, consisting of two connector plates, in black, white or RAL color as desired.

Order numbers:

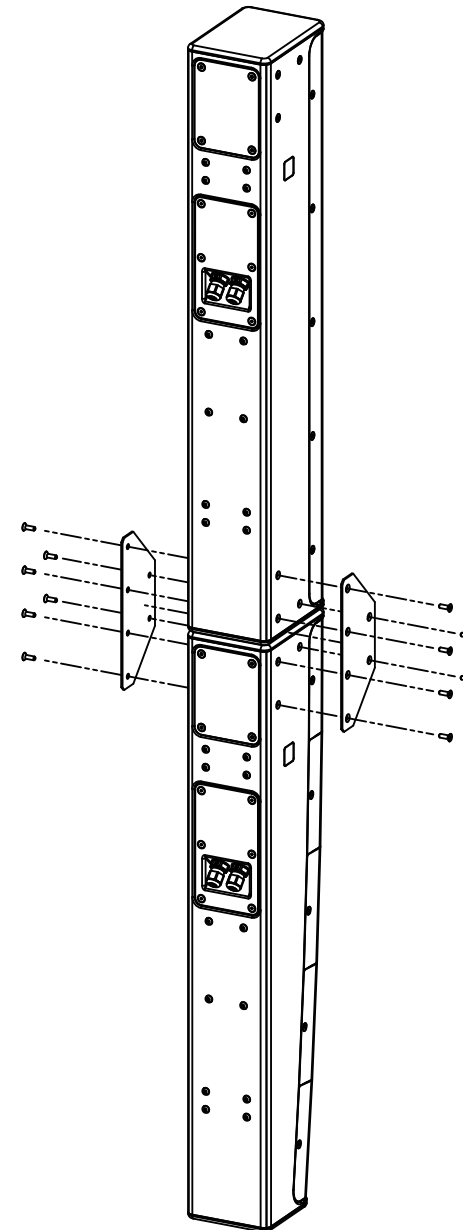
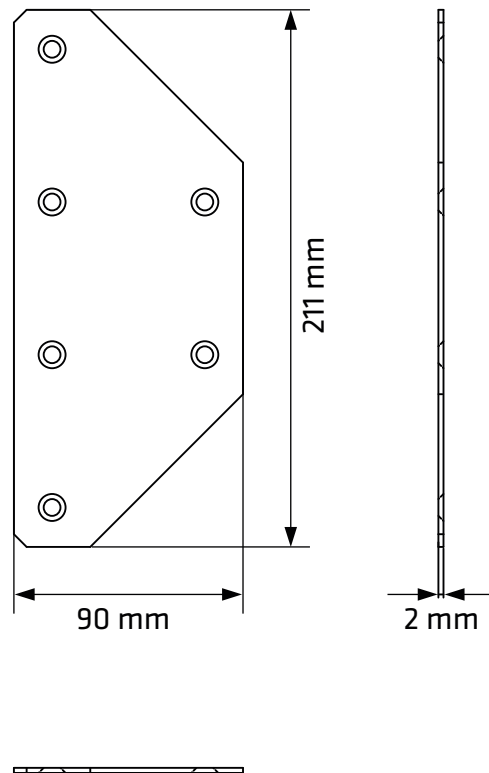
- Connector plate sw **1007803**
- Connector plate w/RAL **1007804**



P10 Connector plates

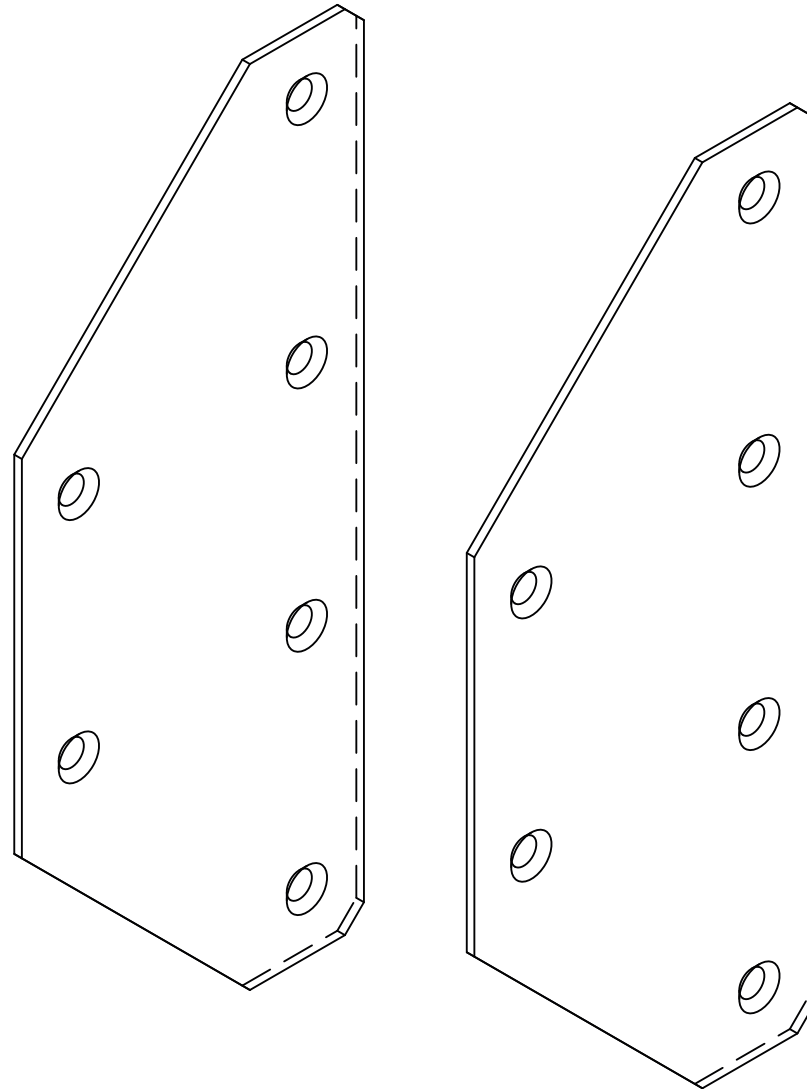
Technical data

P10 Connector plates	
Mounting type	screw connection with loudspeaker housings
Functional description	mechanical connection of two P10 loudspeaker cabinets
Material	steel
Surface	galvanized and smooth powder coated (black, white or RAL according to requirements)
Dimensions (H x W x D)	211 x 90 x 2 mm
Weight	0.25 kg



P10 Connector plates

Technical drawing



HK Audio
Postfach 1509
66595 St. Wendel, Germany

info@hkaudio.com
fax +49-68 51-905 215
www.hkaudio.com
D-3222