

P10 Pole mount

There is often a need to install loudspeakers on pipes, columns, masts or trusses.

The suitable solution for this is the P10 pole mount, which is screwed to the cabinet and provides a suitable support for typical tube or column diameters.

The mechanical connection can be made, for example, with clamps*, which ensures non-slip and twist-proof mounting of the loudspeakers with little effort.

Mounting with clamps* can be a practical solution, especially in listed buildings where no holes may be drilled.

For the mounting of P10 loudspeaker systems with the P10 pole mount, a certificate of ball impact resistance according to DIN 18032-3 is available.

This means that the P10 pole mount can also be used for installations in sports facilities, for example.

One article is available:

- The **single article**, consisting of two pole mounts, but without clamps*.

*For example: „Würth hose clamp A4“, clamping range 50-70 mm, article number at Würth: 0538 50 70

Order numbers:

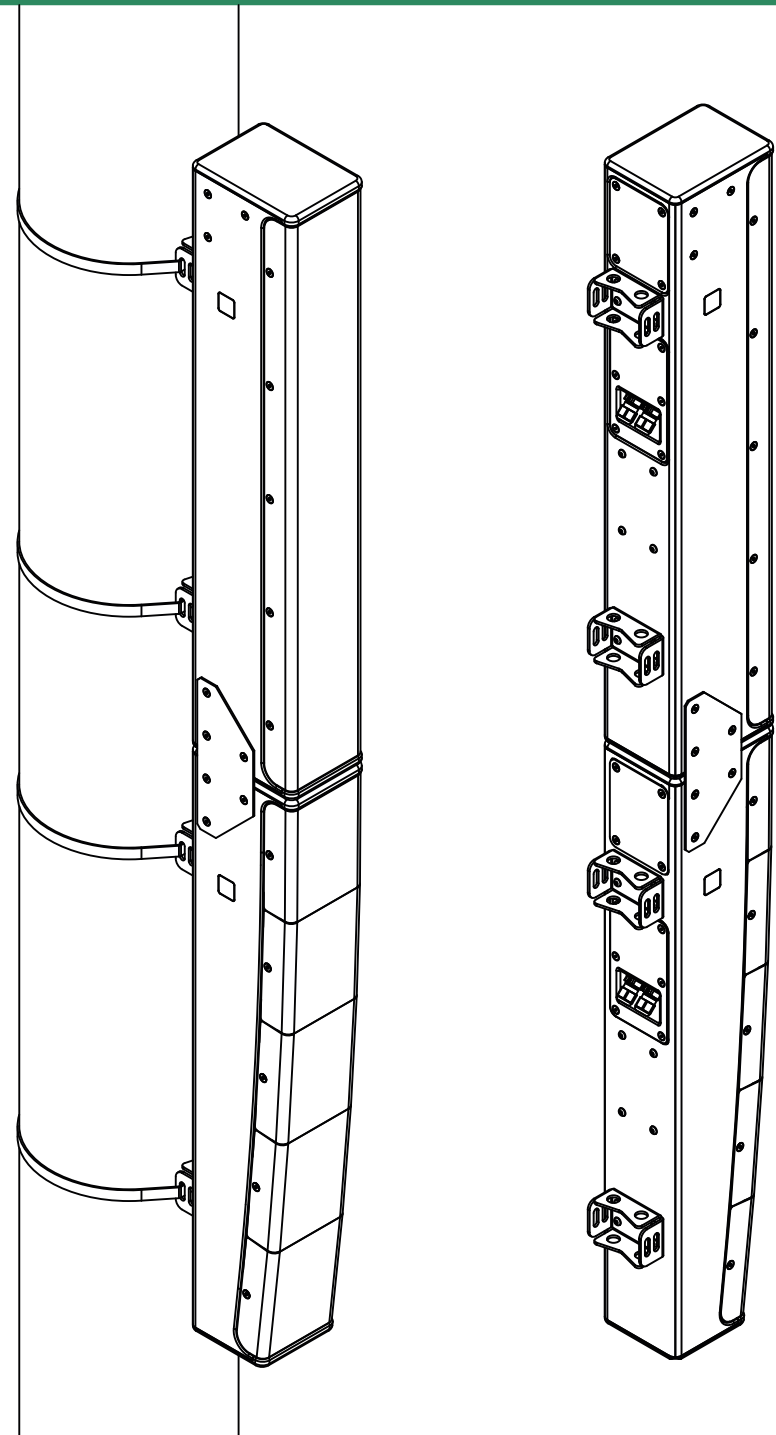
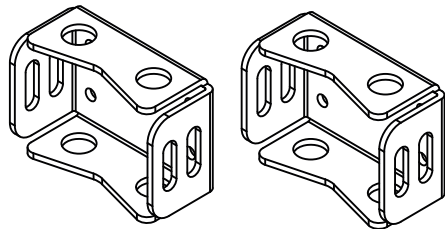
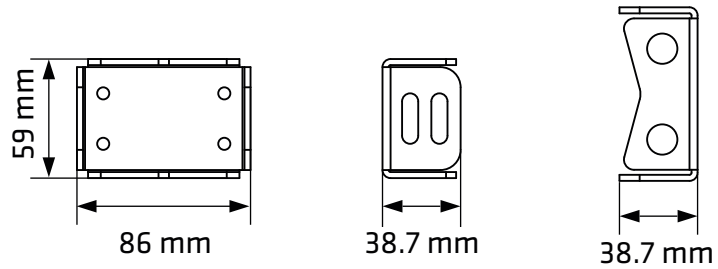
- Pole holder for 1× P10 sw **1007813**
- Pole holder for 1× P10 w/RAL **1007814**



P10 Pole mount

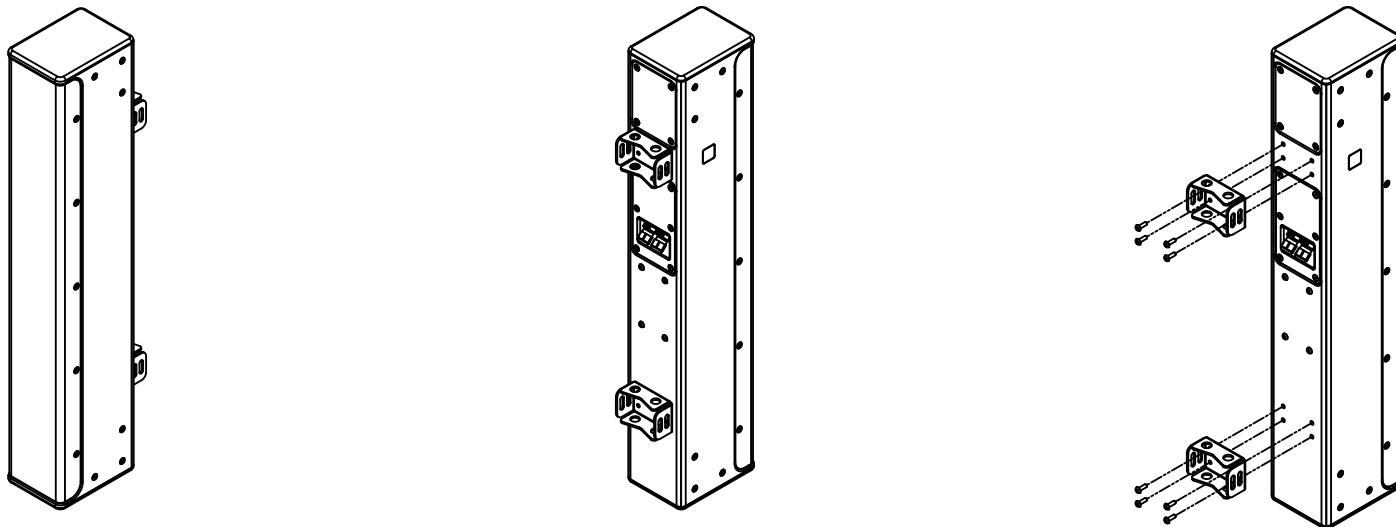
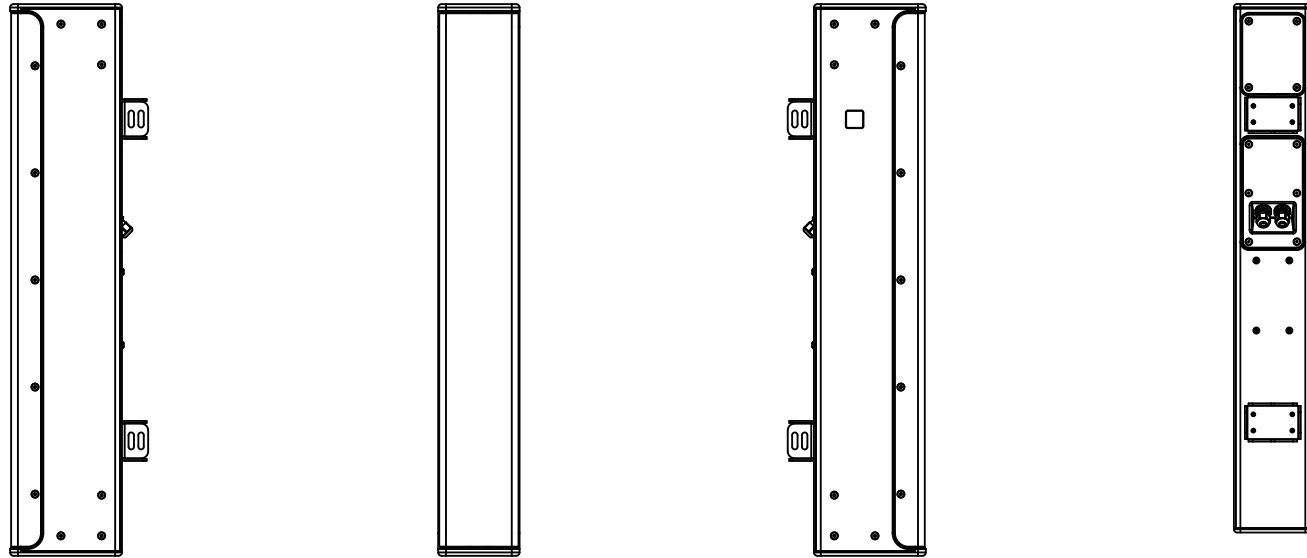
Technical data

P10 Pole mount	
Mounting type	mounting on poles, tubes or columns
Functional description	easy mounting on poles, tubes or columns for 1x P10 each
Tilt range vertical	no tilt possible
Swivel range horizontal	depending on installation situation
Material	steel
Surface	galvanized and smooth powder coated (black, white or RAL according to requirements)
Dimensions (H x W x D)	59 x 86 x 39 mm
Weight	0.25 kg



P10 Pole mount

Technical drawing



HK Audio
Postfach 1509
66595 St. Wendel, Germany

info@hkaudio.com
fax +49-68 51-905 215
www.hkaudio.com
D-3223