

P10 Rigging Rail

Whenever mounting with a large wall distance is necessary or where sufficiently load-bearing walls are not available, the P10 can also be operated on hanging.

The desired tilt angle can be preset through the perforation of the rail.

Up to three P10s can be supported by the rigging rail.

A separate anchor point allows the loudspeakers to be braced, anti-twist protection to be ensured or the desired tilt angle to be set.

In practice, the P10 loudspeaker systems can thus be used for precise sound reinforcement of even distant room areas at a high maximum sound pressure level.

Three articles are available:

- The **single article**, consisting of a rigging rail and an attachment point, in black, white or RAL color as desired, or
- a **set article for two P10**, consisting of a rigging rail, an anchor point and two connector plates, also in black, white or RAL color as desired, or
- a **set article for three P10**, consisting of one rigging rail, one anchor point and four connector plates, also in black, white or RAL color as desired.

Order numbers:

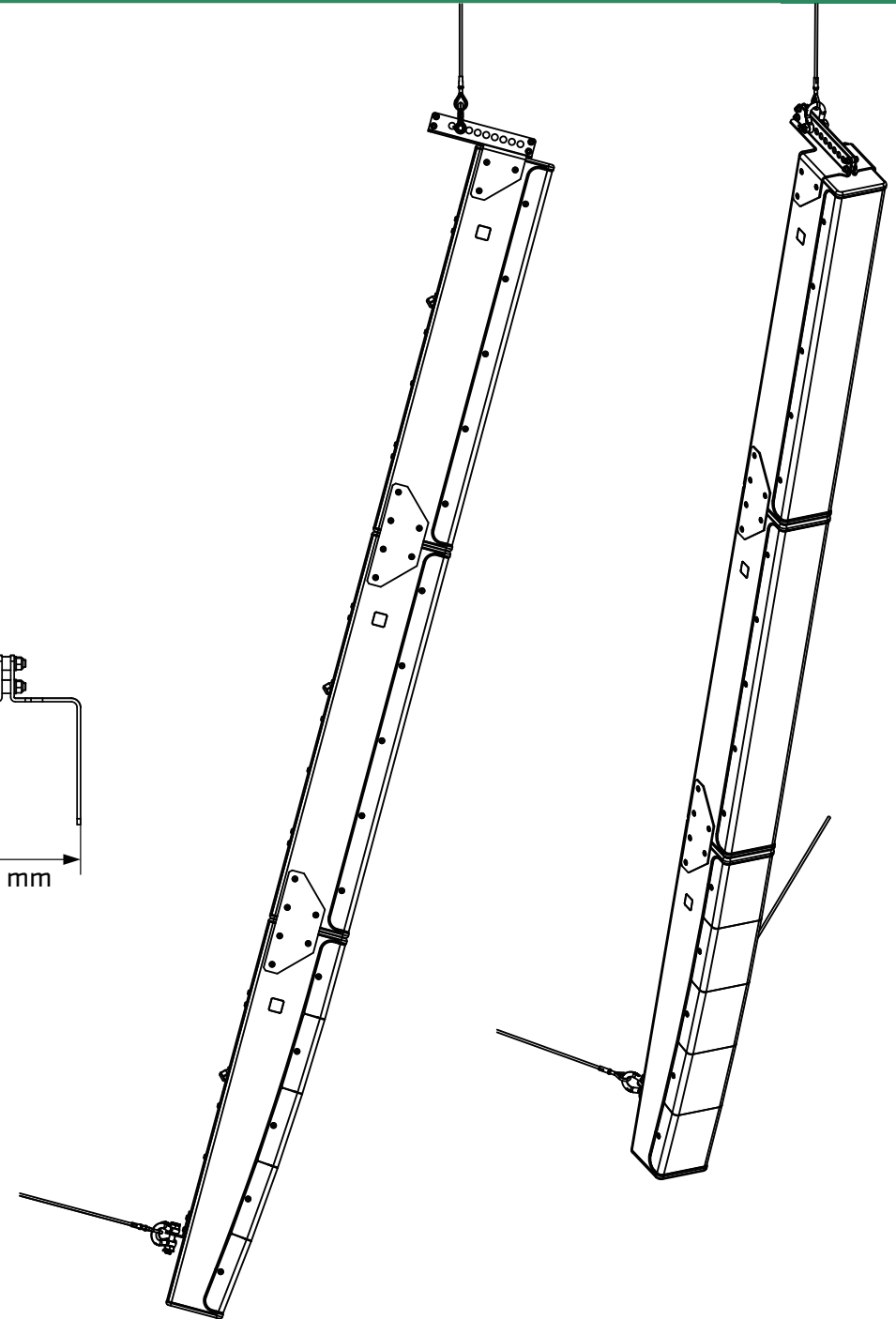
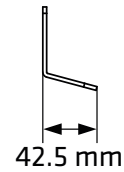
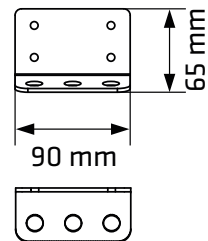
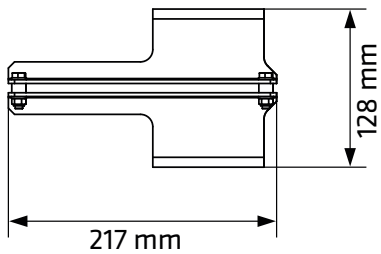
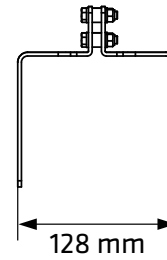
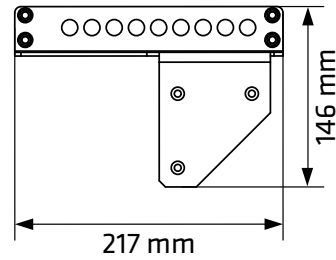
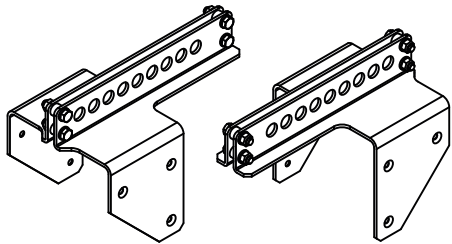
- | | |
|--------------------------------|----------------|
| • Flying rail for 1× P10 sw | 1007811 |
| • Flying rail for 1× P10 w/RAL | 1007812 |
| • Flying rail for 2× P10 sw | 1990172 |
| • Flying rail for 2× P10 w/RAL | 1990177 |
| • Flying rail for 3× P10 sw | 1990173 |
| • Flying rail for 3× P10 w/RAL | 1990178 |



P10 Rigging Rail

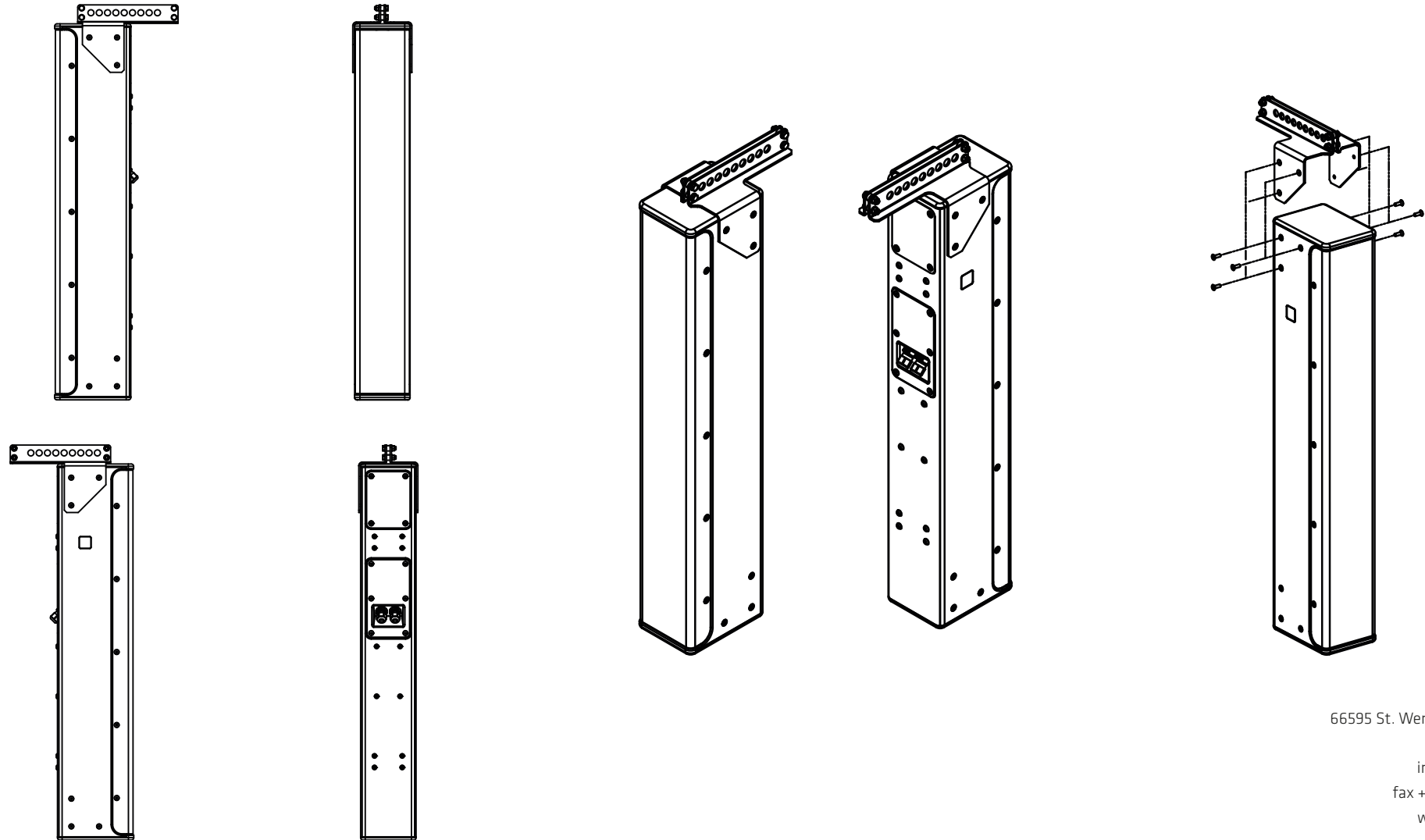
Technical data

P10 Rigging Rail	
Mounting type	flown mounting
Functional description	easy mounting for suspended operation of up to 3x P10
Tilt range	application-specific adjustable
Swivel range	application-specific adjustable
Material	steel
Surface	galvanized and smooth powder coated (black, white or RAL according to requirement)
Dimensions (H x W x D)	146 x 128 x 217 mm
Weight	1.1 kg



P10 Rigging Rail

Technical drawing



HK Audio
Postfach 1509
66595 St. Wendel, Deutschland

info@hkaudio.com
fax +49-68 51-905 215
www.hkaudio.com
D-3224