

P10 Swivel and tilt bracket for one speaker

In applications where precise alignment and tilting to the surfaces to be sounded is necessary, the swivel and tilt brackets are used.

Due to the adjustable tilt angle, even difficult rooms (such as those with opposing, highly reflective walls) can be sounded sensibly.

The sturdily designed pan/tilt mount for P10 is designed to support a P10 loudspeaker.

The maximum vertical tilt angle of the mounted speaker is -18° . Horizontally, the speaker can be tilted up to 138° .

One article is available:

- A **single item** is available, consisting of a swivel and tilt bracket and an AP3 adapter plate, in black, white or RAL color as desired.

Artikelnummern:

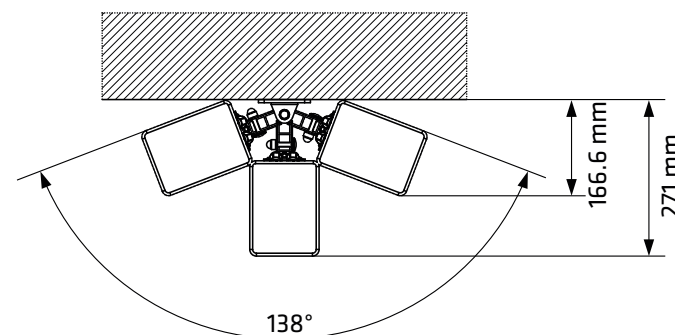
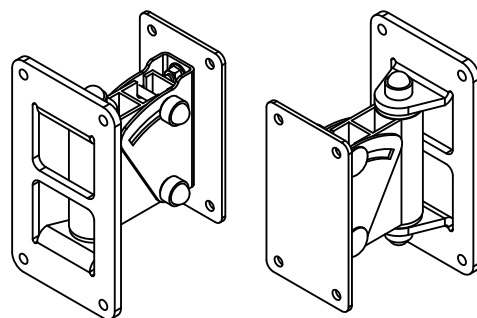
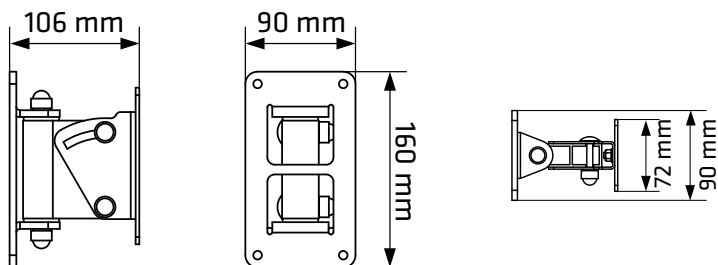
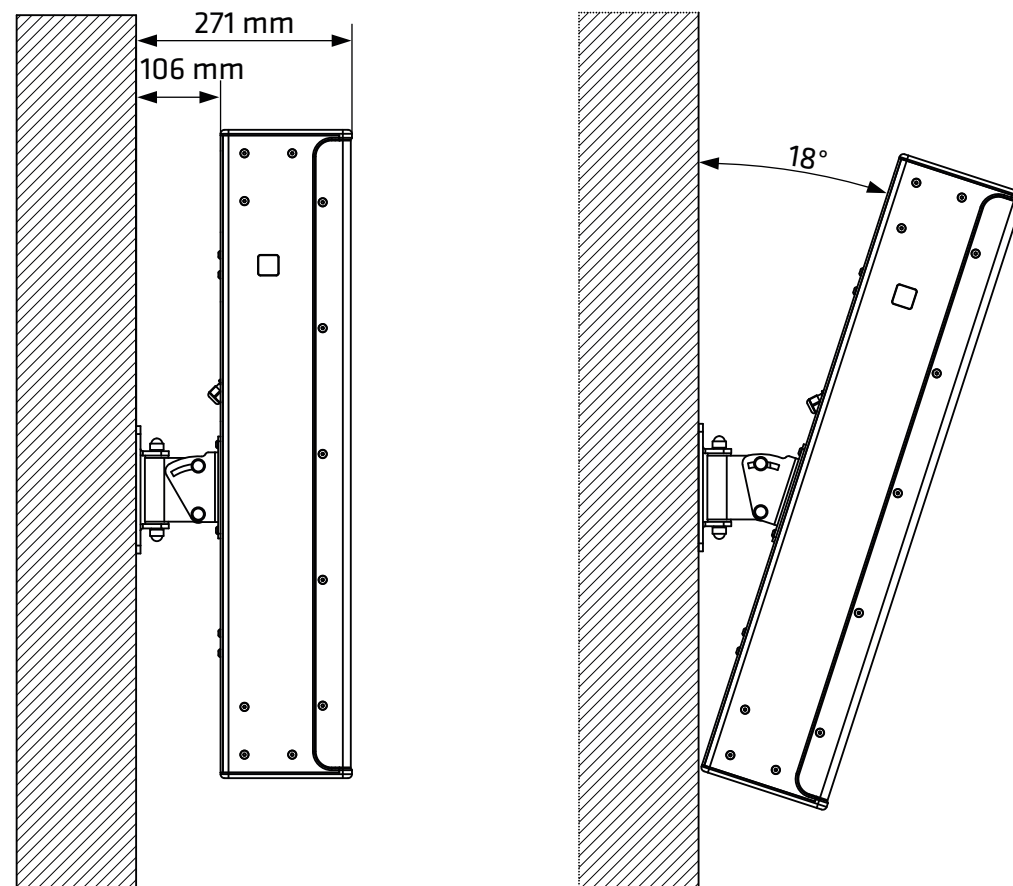
- Pan/tilt holder for 1× P10 sw **1007807**
- Pan/tilt holder for 1× P10 w/RAL **1007808**



P10 Swivel and tilt bracket

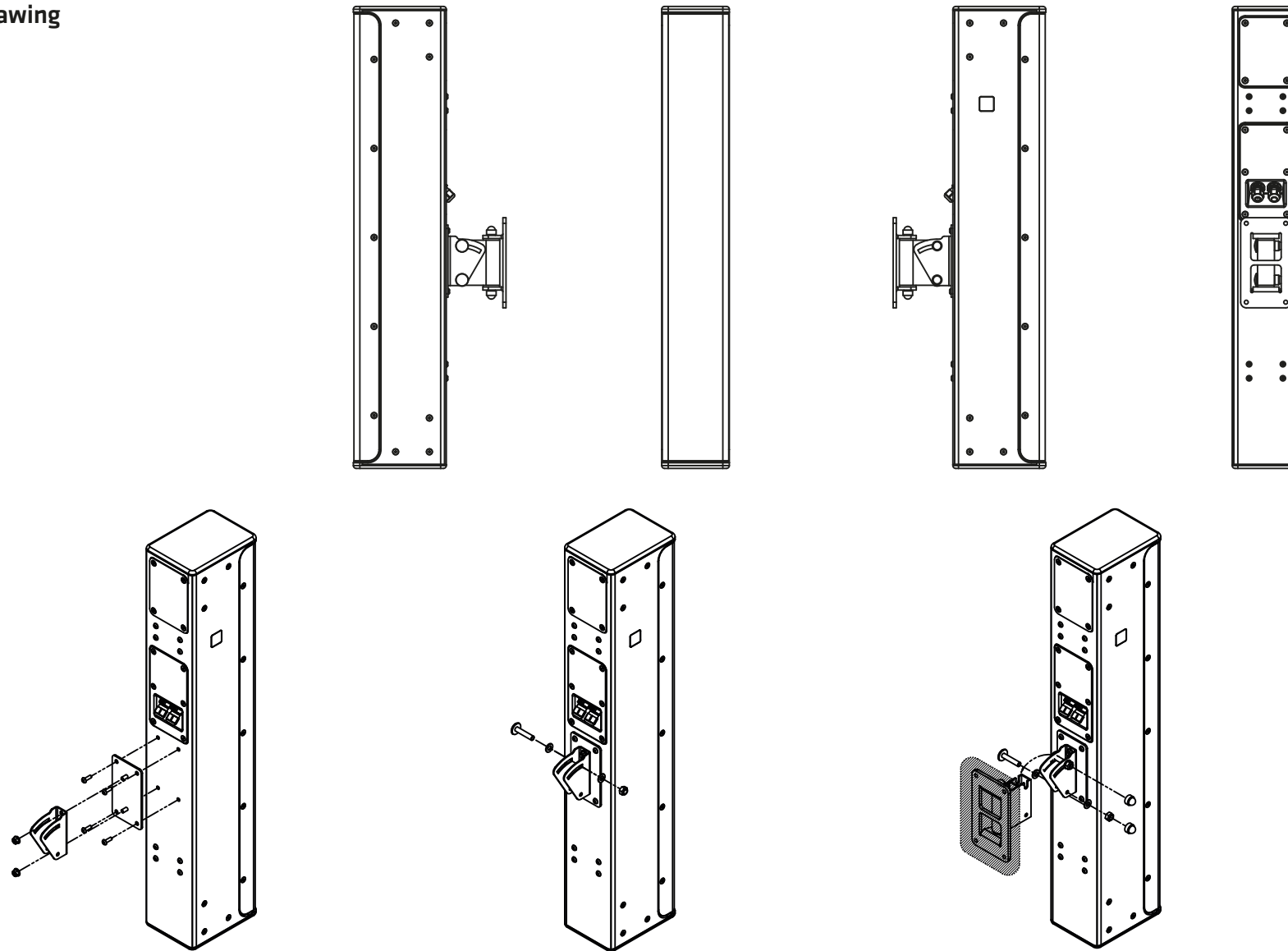
Technical data

P10 Swivel and tilt bracket	
Mounting type	wall mounting
Functional description	easy mounting by hanging and screwing; swiveling and tilting
Tilt range vertical	0° to -18°
Swivel range horizontal	138°
Fixing points	4x M6 for wall mounting
Material	steel
Surface	smooth powder coated (black, white or RAL according to requirements)
Dimensiond (H x W x D)	160 x 90 x 106 mm
Weight	1.1 kg



P10 Swivel and tilt bracket

Technical drawing



HK Audio
Postfach 1509
66595 St. Wendel, Germany

info@hkaudio.com
fax +49-68 51-905 215
www.hkaudio.com
D-3225