

P10 Swivel and tilt bracket

for two P10 speakers

In applications where precise alignment and tilting to the surfaces to be sounded is necessary, the swivel and tilt brackets are used.

Due to the adjustable tilt angle, even difficult rooms (such as those with opposing, highly reflective walls) can be sounded sensibly.

The sturdily designed swivel and tilt bracket for two P10s is designed to support two interconnected P10 loudspeakers and to align them in a targeted manner.

The maximum vertical tilt angle of the speakers mounted together is -16° . Horizontally, the speakers can be swiveled by up to 158° .

One article is available:

- A **single item** is available, consisting of a swivel and tilt bracket, an adapter plate combination and an attachment point, in black, white or RAL color as desired.

Order Numbers:

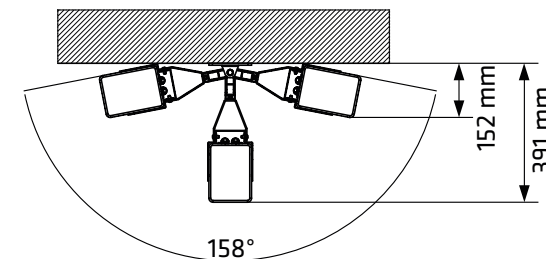
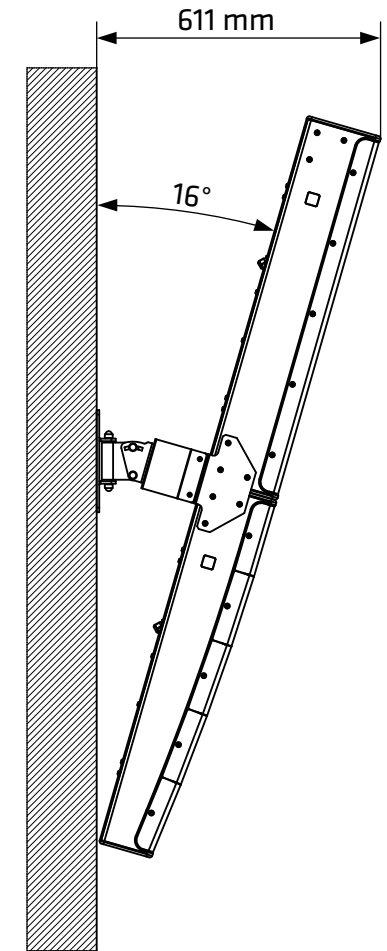
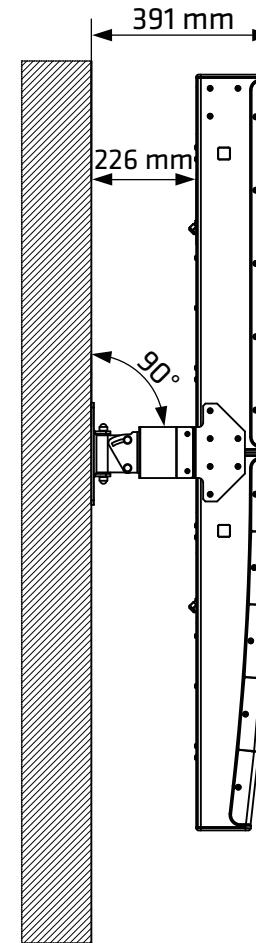
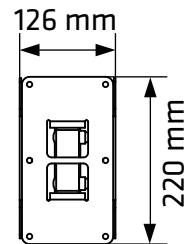
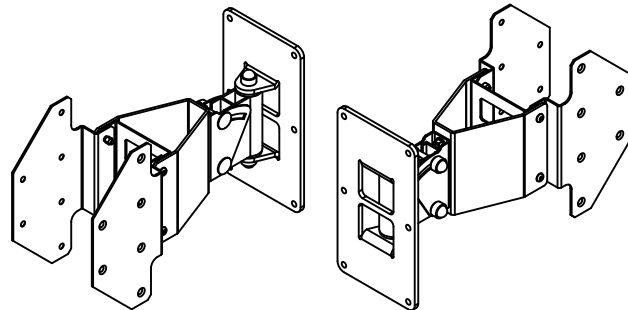
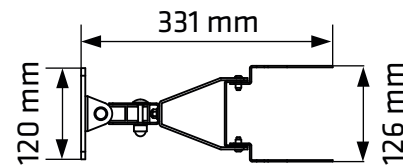
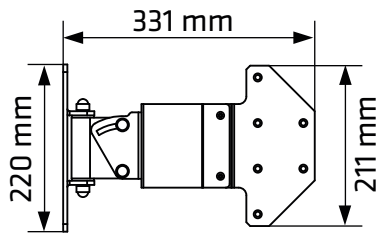
- Swivel and tilt bracket for 2× P10 sw **1007809**
- Swivel and tilt bracket for 2× P10 w/RAL **1007810**



P10 Swivel and tilt bracket

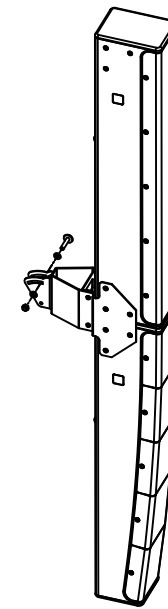
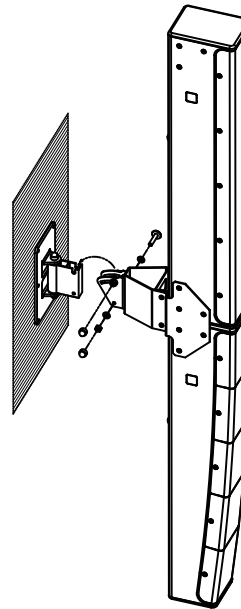
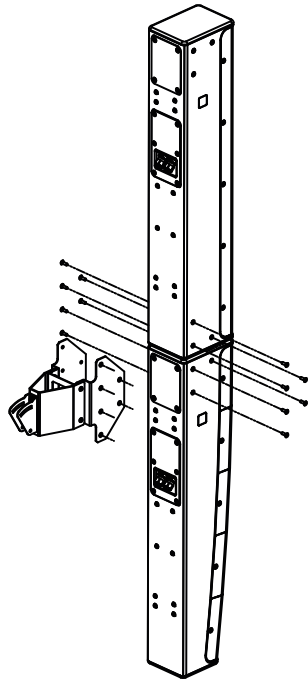
Technical data

P10 Swivel and tilt bracket	
Mounting type	wall mounting
Functional description	easy mounting by hanging and screwing; large adapter for joint panning and tilting of two speakers
Tilt range vertical	0° to -16°
Swivel range horizontal	158°
Mounting	6x M6 for wall mounting
Material	steel
Surface	smooth powder coated (black, white or RAL according to requirement)
Dimensions (H x W x D)	220 x 126 x 331 mm
Weight	2.95 g



P10 Swivel and tilt bracket

Technical drawing



HK Audio
Postfach 1509
66595 St. Wendel, Germany

info@hkaudio.com
fax +49-68 51-905 215
www.hkaudio.com
D-3226