

S210 P

Order numbers: 1007906 (black) 1007955 (white/RAL)

The S210 P is a high-performance subwoofer for installations under particularly demanding environmental conditions. It is equipped with 2x10" transducers and two rear-mounted 10" passive radiators.

To realize the highest possible environmental stability, the enclosure was designed completely closed. In order to still achieve a powerful low frequency reproduction, the S210 P is equipped with two 10" passive radiators. Compared to a simple closed enclosure, a considerable increase in max. SPL is thus achieved.

In particular, it is suitable for combination with the SI SERIES P10 modular column speakers. Due to its neutral tuning and filtering, the S210 P can be combined with many other HK Audio products.

An optional U-bracket allows the implementation of all practical mounting options, including flown installation with up to two S210s. The electrical power handling of the S210 P is 300 W (RMS) or 600 W (program).

Characteristics:

- high max. SPL of up to 117 dB thanks to specially developed 10" transducers and high excursion 10" passive radiators
- suitable for all indoor areas as well as for unprotected and particularly demanding outdoor installations (protection class IP 66)
- switchable electrical impedance (4 ohms or 16 ohms)
- over 40 colors for visual matching ex works for use in demanding environments
- optional U-bracket allows installation on walls, ceilings and flown applications with up to two S210s
- DSP presets based on Lab.gruppen IPD/IPX, Lake, Powersoft Armonia+, QSC Q-SYS or with filters in tabular form

The electrical connection is made via two connectors, which is protected by a cover plate with PG glands.

The electrical impedance can be selected between 4 ohms and 16 ohms by means of a switch.

The S210 P achieves protection class IP 66 (EN 60529), making it suitable for installation in unprotected, highly demanding outdoor applications.

A certification according to DIN 18032-3 which proves the ball impact resistance is available, too (e.g. for installations in sports facilities).

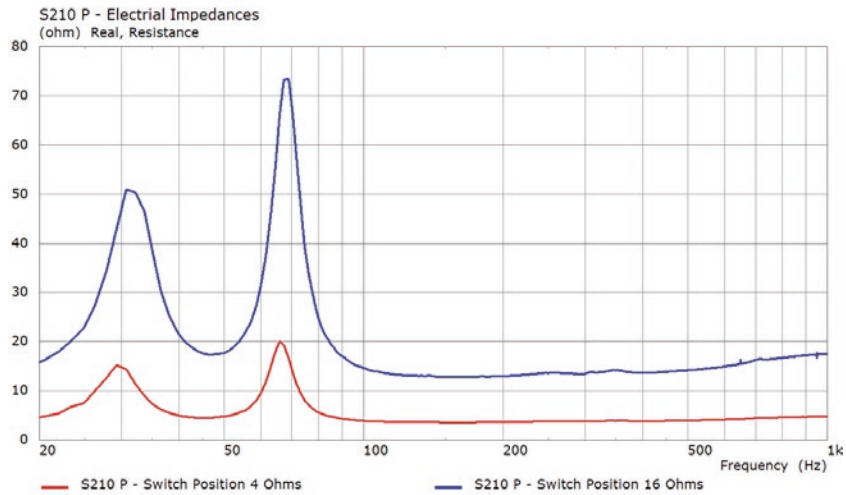


Technical data

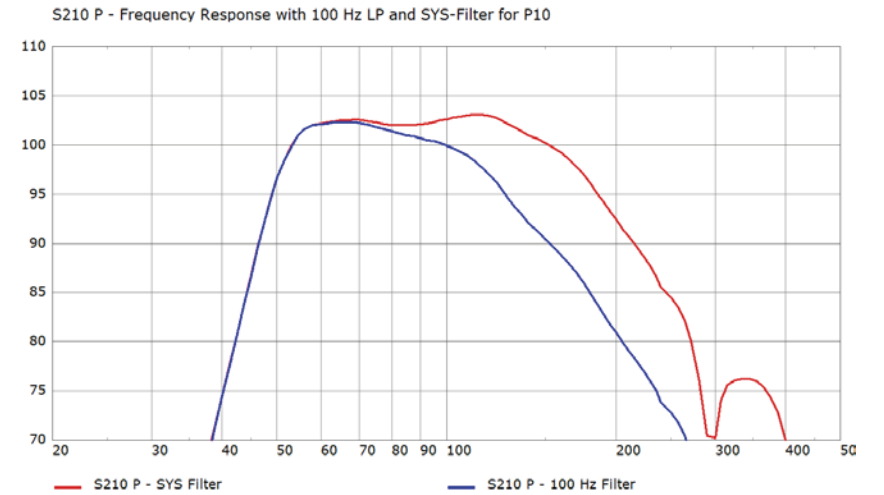
S210 P	
Power-handling, nominal (RMS)	300 W
Power-handling, program	600 W
Power-handling, peak	1200 W
Sensitivity 1 W/1 m (full space)	92 dB
Frequency response +/- 3 dB (processed)	50 Hz - 140 Hz
Frequency response -10 dB (processed)	48 Hz - 140 Hz
Max. SPL @ 10 % THD (EN 60268-21, full space)	117 dB
Directivity (horizontal x vertical)	omnidirectional
Electrical impedance	4 ohms/16 ohms switchable
Low/mid transducer	2x 10" with ferrite magnet and 2,5" voice coil as well as 2x10" passive radiators
High frequency driver	not applicable
Crossover/cut-off frequency	not applicable
DSP filters	Filters for Lab.gruppen IPD/IPX and Lake, Powersoft Armonía+, QSC Q-SYS and filters in tabular form
Connections	2 x 4-pole connectors, two-pole assignment, with cover plate and 2x PG cable gland
Mounting points	8x M8
Cabinet material	Birch plywood
Front grille	Ball impact resistant steel grille, powder coated, with acoustic fabric (dirt and water repellent)
Finish	Two-component coating, black and white as standard, over 40 colors possible
Carrying handles	none
Protection class (IP code EN 60529)	IP 66
Optional accessories	U-bracket, extension plates
Dimensions (W x H x D)	700 x 297 x 550 mm
Weight	29.0 kg



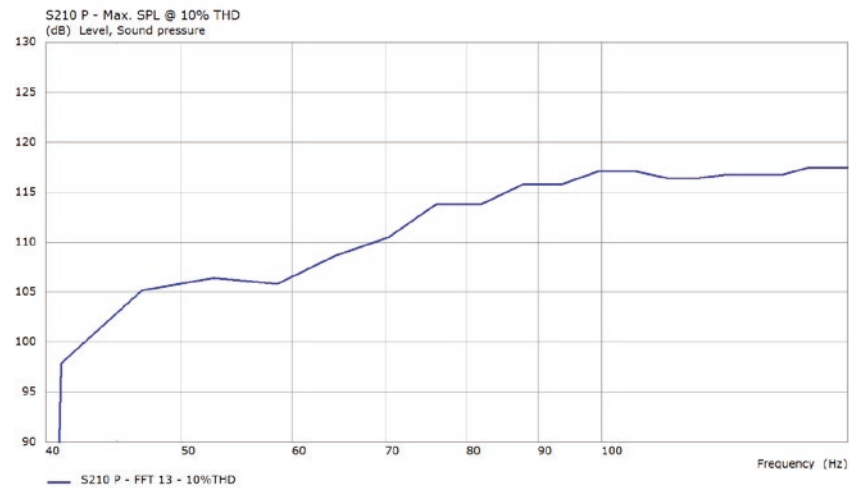
Electroacoustic Measurements



Electrical Impedance with switch positions (blue = 16 ohms, red = 4 ohms)

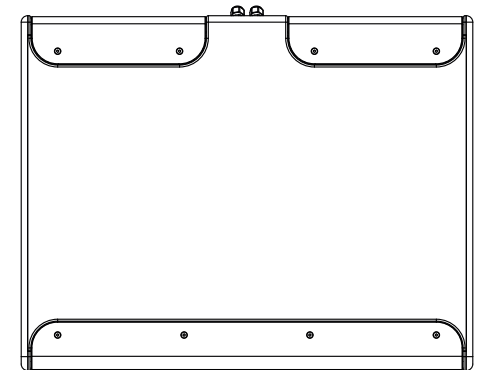
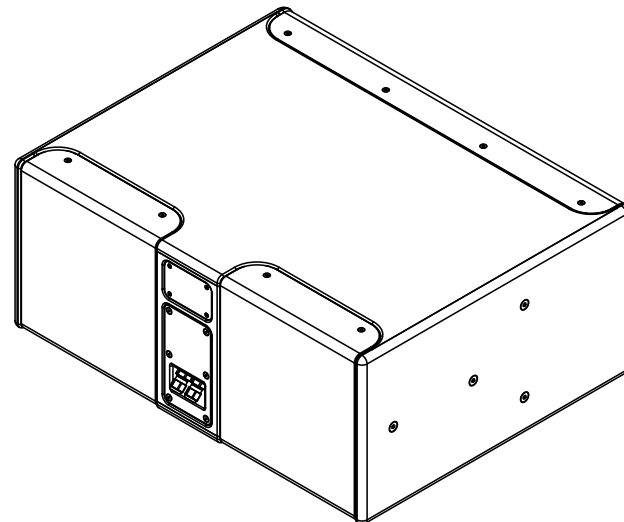
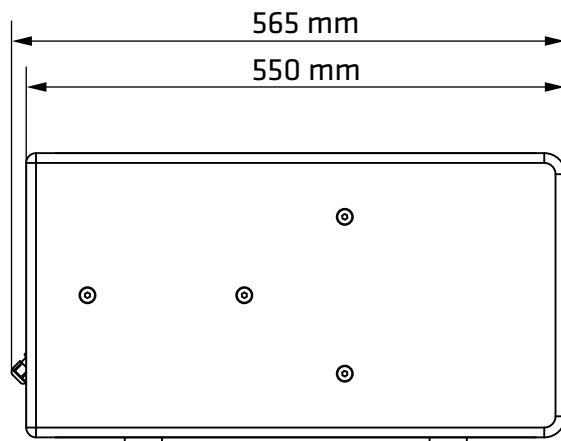
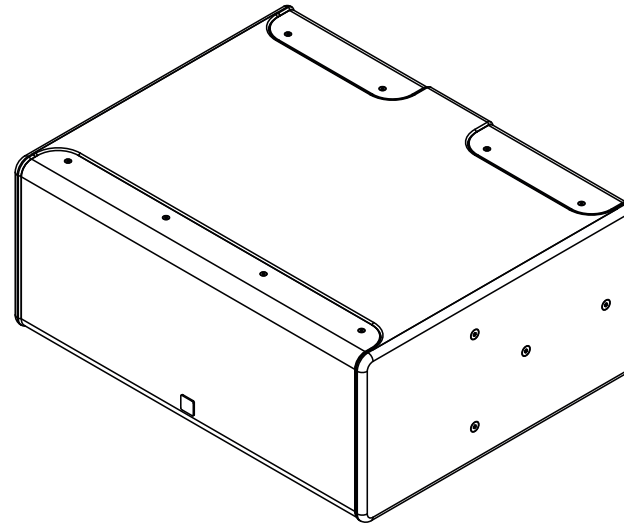
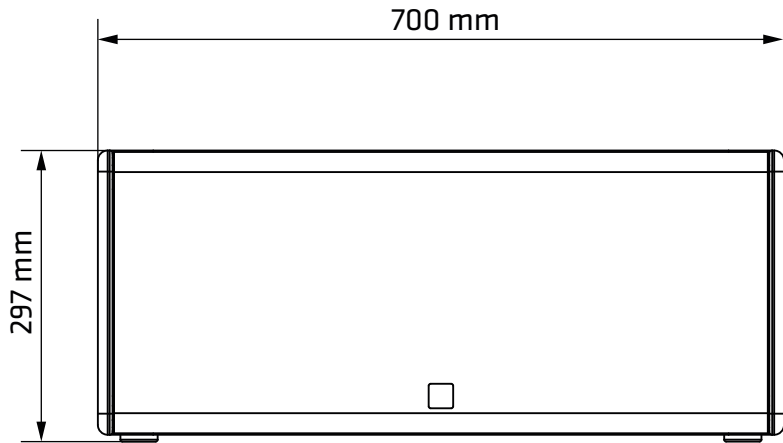


Frequency Response (blue = 100 Hz filter, red = SYS filter)



Max. SPL (10 % THD)

Technical drawings



HK Audio
Postfach 1509
66595 St. Wendel, Germany

info@hkaudio.com
fax +49-68 51-905 215
www.hkaudio.com
D-3233